

TANKLESS HEATER COIL INSTALLATION INSTRUCTIONS

Kit # 550002988

Kit installation shall be completed by qualified agency.

⚠ WARNING

Fire, explosion, asphyxiation and electrical shock hazard. Improper installation could result in death or serious injury. Read this instruction and understand all requirements, including requirements of authority having jurisdiction, before beginning installation. Installation not complete until appliance operation verified per Installation, Operation & Maintenance Manual provided with boiler.

NOTICE

Do not use a tankless coil if your water is excessively hard with lime or other deposits which will accumulate inside the coil.

When using tankless coil, boiler is configured so boiler control (either Honeywell L7248L or Hydrolevel 3250) operates in conjunction with Honeywell L4006A low limit control mounted on well in tankless heater cover plate

⚠ WARNING

Electrical shock hazard. Turn OFF electrical power supply at service panel.

⚠ WARNING

Burn hazard. Verify heat exchanger has cooled or use appropriate personal protection equipment before servicing.

1. Unpack coil, gasket, low limit control, control well, and wiring harness.
2. Drain boiler and system, if necessary.
3. Remove jacket cover panel (if provided) on right side jacket.
4. Remove 10 screws holding coil opening cover plate and discard.
5. Remove cover plate and gasket and discard.
6. Install ten (10) 3/8"-16 x 1 1/2" studs into bolt holes in preparation for installing tankless coil.
7. Place new gasket over coil and up against inside face plate. Insert coil into boiler opening. Verify arrow stamped in the face plate points upward and the word "TOP" (if shown) is at the top. Install ten (10) 3/8" - 16 hex nuts. Tighten evenly and snugly in crisscross pattern. Do not exert extreme pressure and snap the bolts.

Figure 1

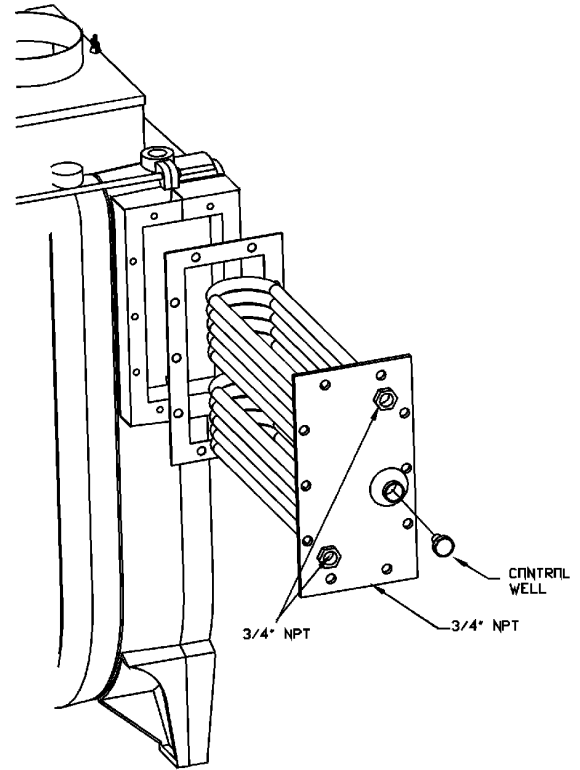
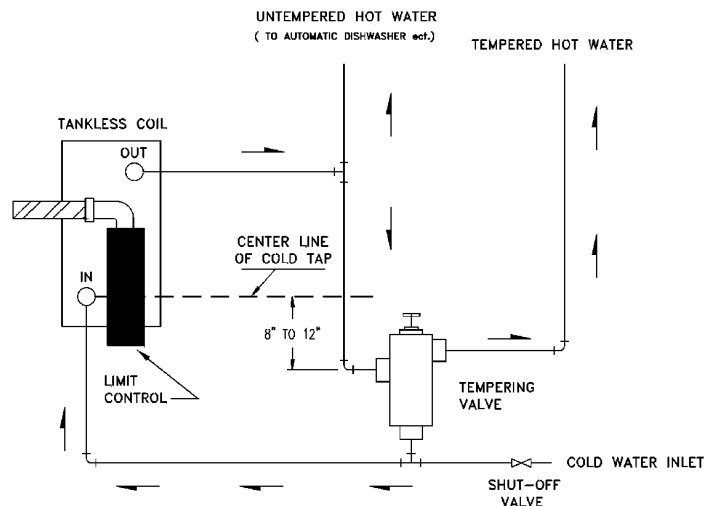


Figure 2



TANKLESS HEATER COIL INSTALLATION INSTRUCTIONS

8. Install control well in 3/4" tapping in coil face plate. Reinstall the jacket cover panel (if provided) removing the knockouts for tankless coil connections.
9. Mount low limit control on control well. Install wiring harness per appropriate wiring diagram.
10. Program the Control as follows:
 - A. Program the **Honeywell L7248L Control** to recognize the L4006 Low Limit Control:
 - a. Press UP, DOWN and I buttons simultaneously for three (3) seconds to enter programming mode.
 - b. Press I button until "ELL" is displayed.
 - c. Press DOWN button until "ON" is displayed.
 - d. Wait 60 seconds for display to return to "BT".
 - B. **Hydrolevel 3250 Control**
 - a. Set the Z-I switch in the 3250 control to the I position.
11. Manufacturer recommended piping shown in Figure 2.
12. Manufacturer recommends use of a tempering valve (mixing valve).
13. General Finish Instructions
 - Resume operation using OPERATING INSTRUCTIONS found in Installation, Operation & Maintenance Manual.
 - Verify proper operation by following START UP PROCEDURE in Installation, Operation & Maintenance Manual.

Adjust Low Limit Control

1. Typical set point is 140°F.
2. Increase if hotter domestic water is desired.
3. Low limit set point must be at least 20°F lower than high limit set point.

Figure 3 - Low Limit Wiring to L7248L Control

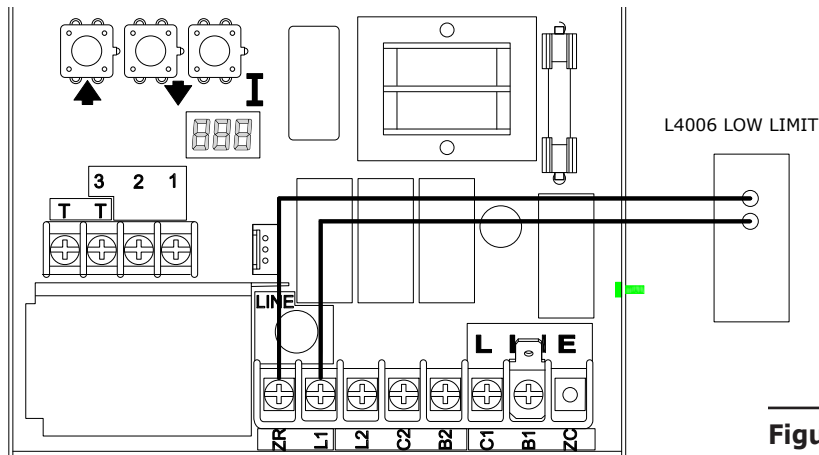


Figure 4 - Low Limit Wiring to 3250 Control

HYDROLEVEL 3250

