



## Models

**DXL-50**

**DXL-75**

**DXL-100**

**DXL-125**

**DXL-150**

**DXL-170**

**DXL-200**

## **DXL SERIES II**

**CAST IRON GAS FIRED BOILERS  
FOR FORCED HOT WATER**

## **REPAIR PARTS AND OPTIONAL KITS**

### Ordering Instructions

Order Parts through your nearest supplier.

When ordering parts, obtain Model Number and Serial Number from data plate on your boiler.

Include following information when ordering.

Part Number \_\_\_\_\_

Part Description \_\_\_\_\_

Boiler Model Number \_\_\_\_\_

Boiler Serial Number \_\_\_\_\_

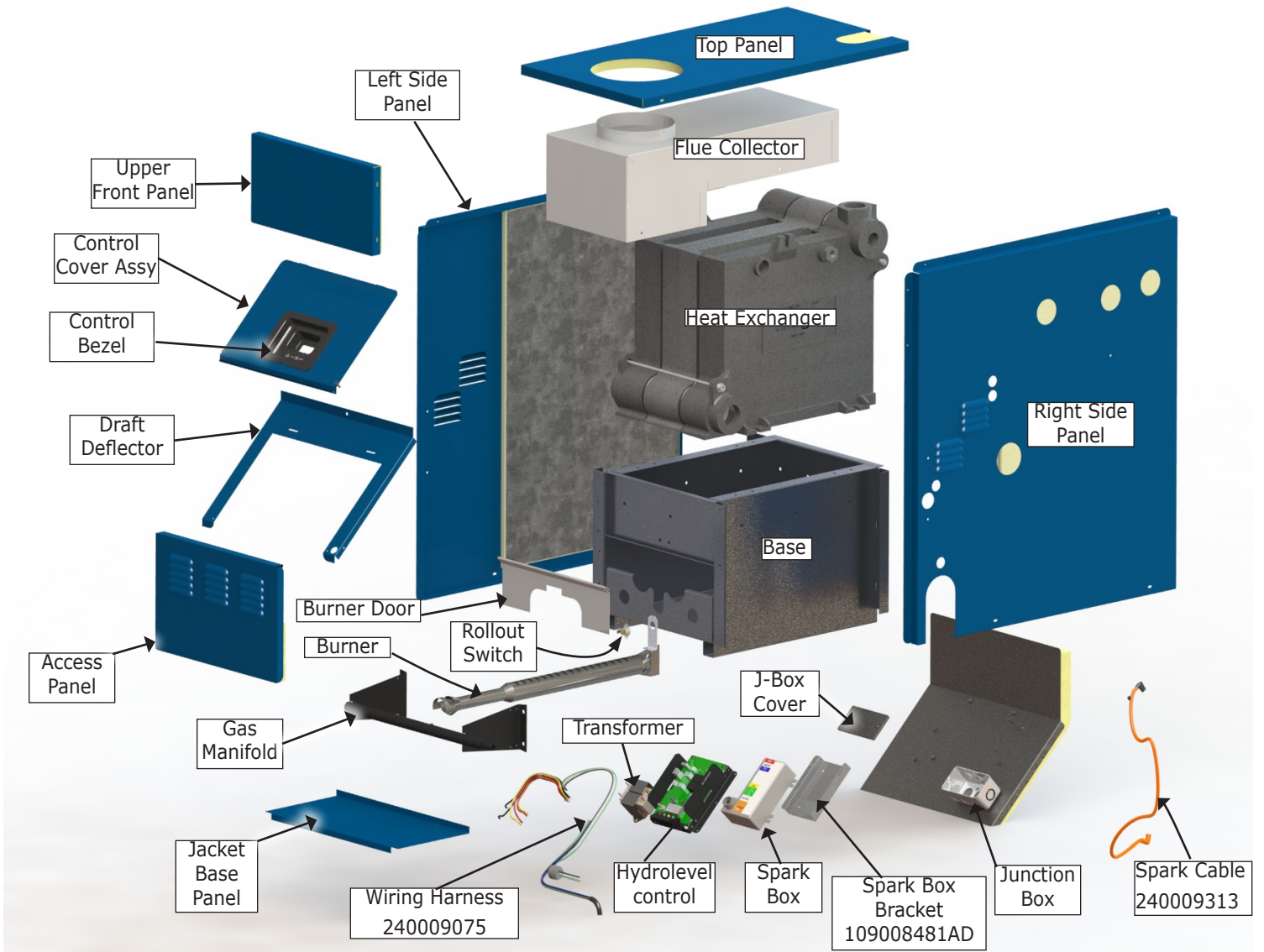
**Manufactured by:**

**ECR International, Inc.**

2201 Dwyer Avenue, Utica NY 13501

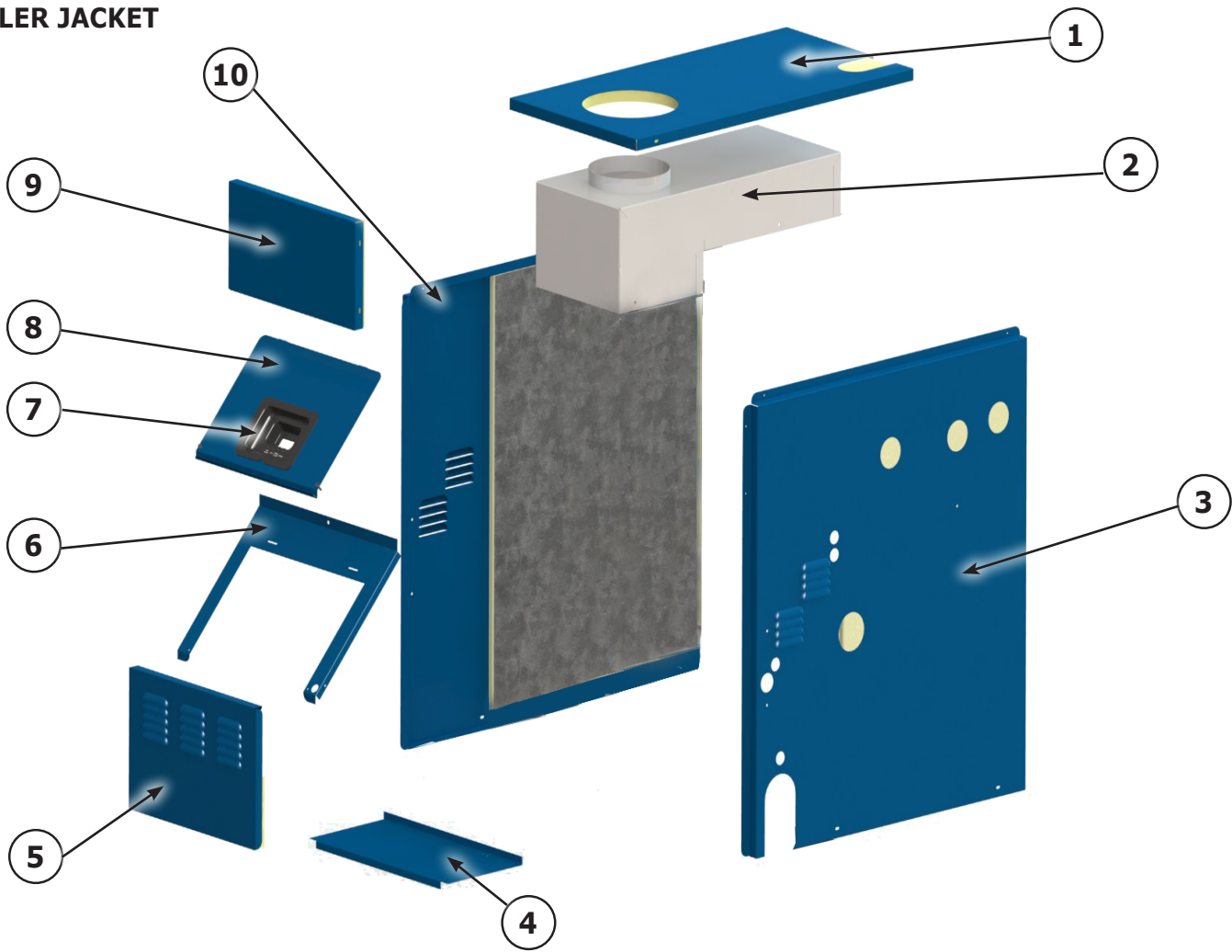
web site: [www.ecrinternational.com](http://www.ecrinternational.com)

# REPLACEMENT PARTS - EXPLODED VIEW



## REPLACEMENT PARTS - JACKET

### BOILER JACKET



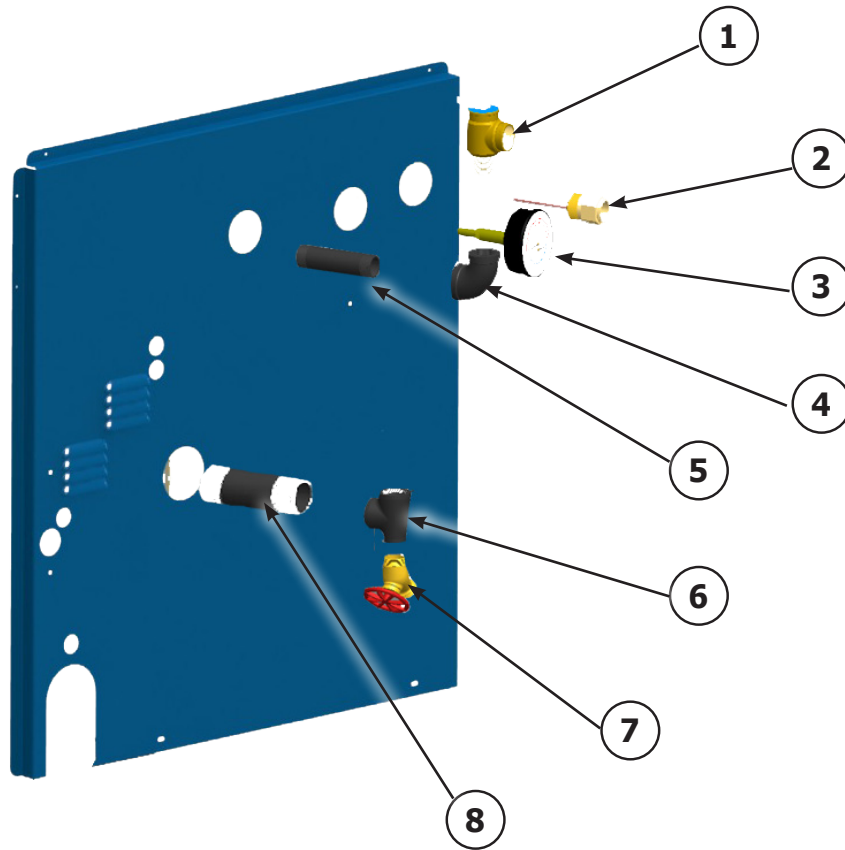
Item #	Boiler Size	50	75/100		125	150	170/200		
	Complete Jacket Kit #	550002999	550003000		550003001	550003002	550003003		
1	Top Panel	31621501AC	31621502AC		31621503AC	31621504AC	31621505AC		
2	Flue Collector	3462101	3462108	3462102	3462107	3462103	3462109	3462104	
3	Right Panel	109008493AC							
4	Base Panel	3161201AC	3161202AC		109008530AC		109008531AC		
5	Lower Access Panel	109008737AC	109008738AC		109008739AC		109008740AC		
6	Draft Deflector	109009425AC	109009426AC		109009427AC	109009428AC	109009429AC		
7	Control Bezel*	240009256							
8	Control Cover*	109008755AC	109008756AC		109008757AC		109008758AC		
9	Upper Access Panel	109008761AC	109008762AC		109008763AC	109008764AC	109008765AC		
10	Left Jacket Panel	109008495AC							
†	Nylon Spacer for Control Bezel (4 Required)	240007749							
†	Rear Panel	3162601AC	3162602AC		3162603AC		3162604AC		

\* Not included in Complete Jacket Assy Kit.

† Not Shown

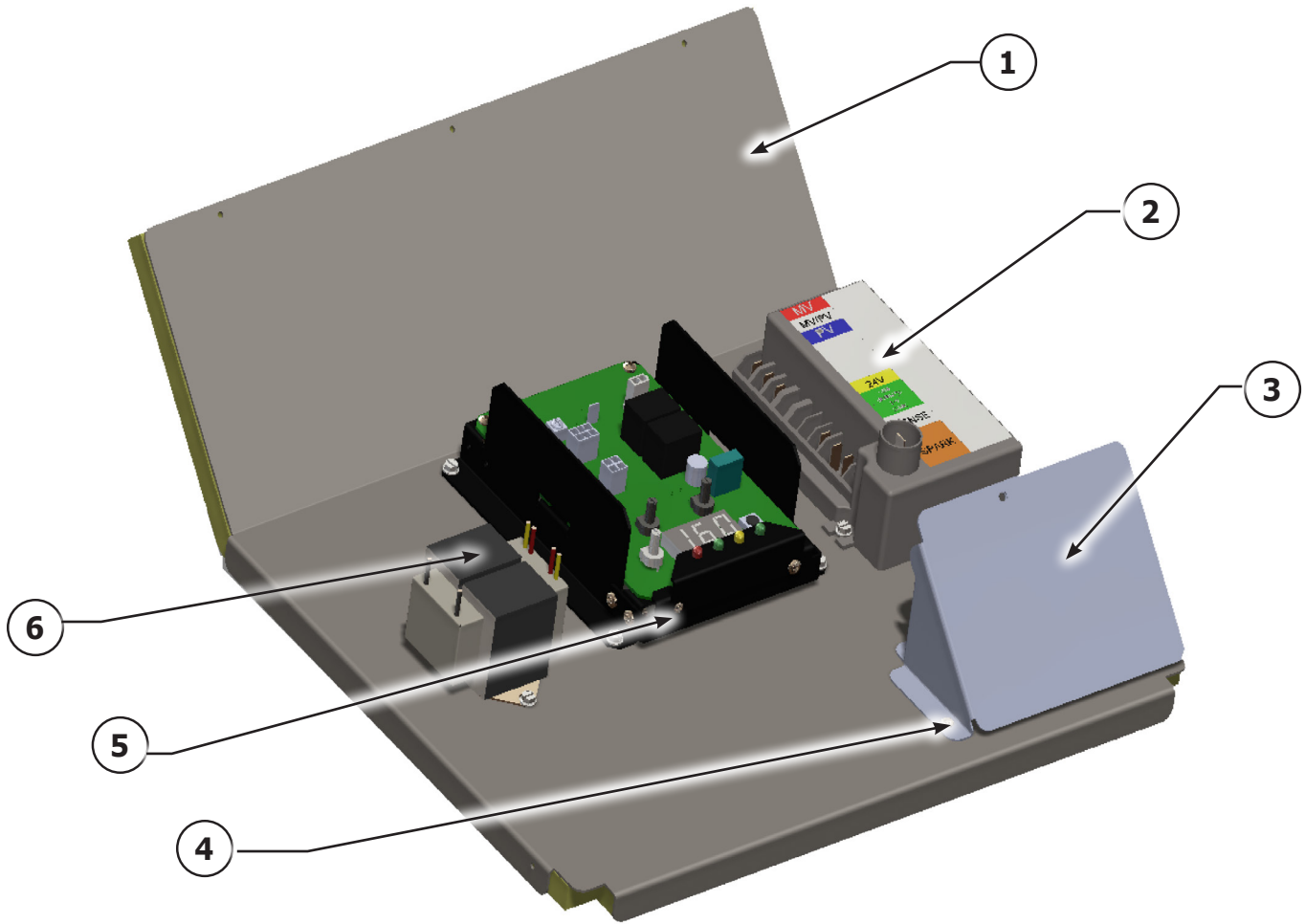
## REPLACEMENT PARTS - PIPING & CONTROLS

### PIPING & CONTROLS



ITEM	DESCRIPTION	P/N	QTY.
1	RELIEF VALVE 30#	VR-001.01	1
2	WELL HYDROLEVEL 3/4"X 1 1/2"	240007709	1
3	TEMPERATURE PRESSURE GAUGE	1260006	1
4	PIPE - ELBOW 3/4" 90°	1190001	1
5	PIPE - NPL 3/4"X4"	1310001	1
6	PIPE TEE 1 1/4" X 3/4" X 1 1/4"	1510001	1
7	DRAIN - SHORT	240009323	1
8	PIPE - NPL 1 1/4 X 4 1/2 NPT	1310002	1
*	DAMPER HARNESS	240006309	1
*	GAS VALVE/IGNITER HARNESS	37413602	1
*	CIRCULATOR HARNESS	240009421	1
*	TEMPERATURE SENSOR, 48"	240007708	1
*	TEMPERATURE SENSOR GROMMET	240007713	1
* Item not shown			

## REPLACEMENT PARTS - CONTROL MODULE



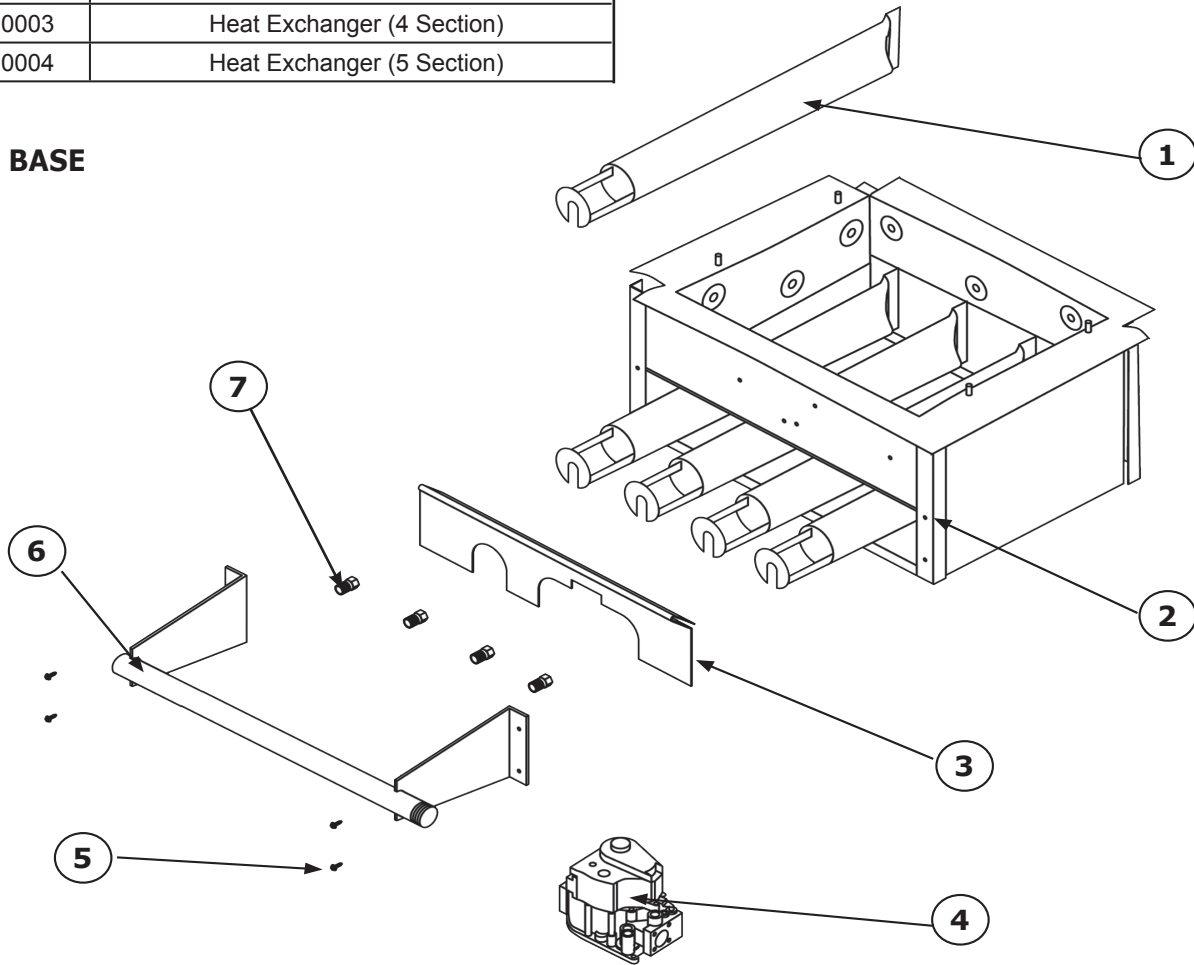
ITEM	DESCRIPTION	P/N	QTY.
1	2 SECTION PANEL WITH INSULATION	109008652	1
	3 SECTION PANEL WITH INSULATION	109008653	1
	4 SECTION PANEL WITH INSULATION	109008654	1
	5 SECTION PANEL WITH INSULATION	109008655	1
2	INTERMITTENT PILOT CONTROL 1003-620A	14662070	1
	PILOT CONTROL BRACKET	109008481AD	1
3	DXL J-BOX	212000017	1
	J-BOX COVER	212000018	1
4	HEX WASHER SCREW #8-32X1/2" B POINT	201000024	8
5	2012 HYDROLEVEL CTRL MODULE	240009076	1
6	BASLER TRANSFORMER	240007897	1
*	WIRE HARNESS	240009075	1
* Item not shown			

# REPLACEMENT PARTS - HEAT EXCHANGER & BOILER BASE

## HEAT EXCHANGER

Fully Assembled Heat Exchangers	
912000001	Heat Exchanger (2 Section)
912000002	Heat Exchanger (3 Section)
912000003	Heat Exchanger (4 Section)
912000004	Heat Exchanger (5 Section)

## BOILER BASE



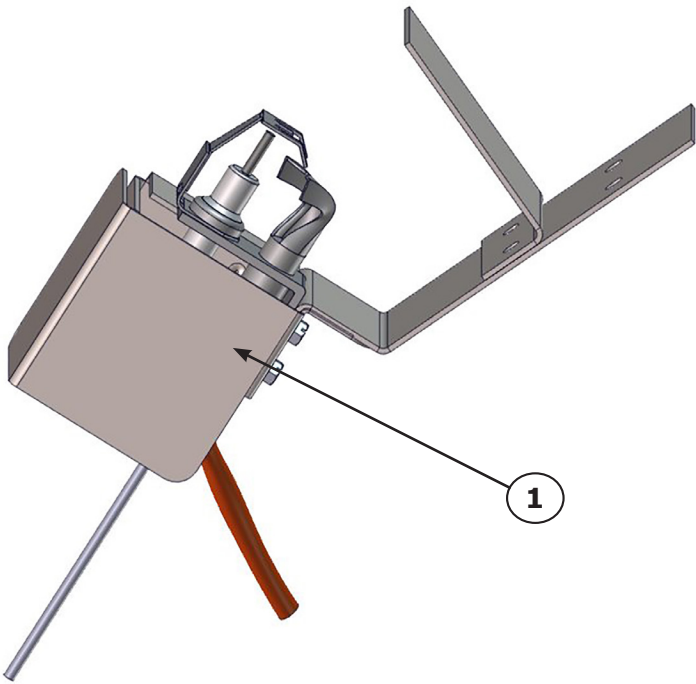
Item #	Description	Part #	Qty.
1	BURNER TUBE 1 1/2" - 50	240005543	1
	BURNER TUBE 1 1/2" - 75, 100		2
	BURNER TUBE 1 1/2" - 125, 150		3
	BURNER TUBE 1 1/2" - 170, 200		4
2	BASE W/INSUL - 50	5611601	1
	BASE W/INSUL - 75, 100	5611602	
	BASE W/INSUL - 125, 150	3001823	
	BASE W/INSUL - 170, 200	5611604	
3	BURNER DOOR - 50	109009071	1
	BURNER DOOR - 75, 100	109009072	
	BURNER DOOR - 125, 150	109009073	
	BURNER DOOR - 170, 200	109009074	
6	MANIFOLD - 50	356-2-1.01	1
	MANIFOLD - 75 & 100	356-2-1.02	
	MANIFOLD - 125 & 150	356-2-1.03	
	MANIFOLD - 170 & 200	356-2-1.04	

Item #	Description	Part #	Qty.
5	SCREW 1/4 - 20 X 1/2 SELF TAP	HW-005.01	4
4	GAS VALVE VR8204H - 50 - 150 SPARK NAT	VG01101	1
	GAS VALVE VR8304H4 - 170-200 SPARK NAT	VG01103	
	GAS VALVE VR8304 - 50-200 SPARK LP	VG01104	
7	ORIFICE 3.2mm NAT - 50, 100, 150, 200,	240007406	*
	ORIFICE 2.9mm NAT - 125, 170	240007403	
	ORIFICE 2.8mm NAT - 75	240007402	
	ORIFICE #45 LP - 50	3551520	
	ORIFICE #47 LP - 100, 150, 200	355-1-5.04	
NOT SHOWN	ORIFICE #49 LP - 125 & 170	355-1-5.06	1
	ORIFICE #50 LP - 75	355-1-5.07	
	COMBUSTIBLE BASE FLOORING - 50	325-2-8.01	
	COMBUSTIBLE BASE FLOORING - 75, 100	325-2-8.02	
	COMBUSTIBLE BASE FLOORING - 125, 150	325-2-8.03	
	COMBUSTIBLE BASE FLOORING - 170, 200	325-2-8.04	

\* Orifice Quantities: Model 50 - qty 1; Model 75 & 100- qty 2; Model 125 & 150- qty 3; Model 170 & 200- qty 4

## REPLACEMENT PARTS - PILOT

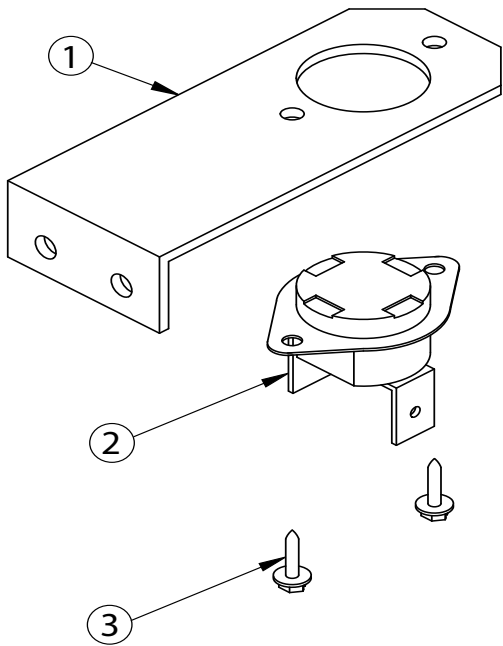
### SPARK PILOT



Spark Pilot Kit - Natural Gas 550003039		
Spark Pilot Kit - LP/Propane 550003040		
Item #	Description	Qty.
1	PILOT AND BRACKET ASSEMBLY (NAT. GAS)	1
	PILOT AND BRACKET ASSY (LP/PROPANE)	1
*	BRACKET SCREW	2
*	COMPRESSION FITTING	1
* NOT SHOWN		

### ROLLOUT & BLOCKED VENT SAFETY SWITCH

2, 3 Section Shown



Item #	Description	Part #	Qty.
1	2 SECTION TEMP. SENSOR BRACKET	32611001	1
	3 SECTION TEMP. SENSOR BRACKET	3262001	1
	4 SECTION TEMP. SENSOR BRACKET	109008517	1
	5 SECTION TEMP. SENSOR BRACKET	109008518	1
2	CONTROL-FIXED TEMPERATURE THERMO (BLOCKED VENT SAFETY SWITCH)	AQ02101	1
3	SCREW - #6 X ¼ HEX HD	HW06501	2



---

**DUNKIRK BOILERS**  
2201 Dwyer Avenue, Utica NY 13501  
web site: [www.ecrinternational.com](http://www.ecrinternational.com)