



**D249 Series**  
Cast Iron Commercial  
Steam Boiler

**PARTS KITS AND OPTIONAL  
ACCESSORIES**



Manufactured by:

**ECR International, Inc.**

2201 Dwyer Avenue, Utica NY 13501  
web site: [www.ecrinternational.com](http://www.ecrinternational.com)



**ECR international**  
EST. 1928  
A Family of Heating & Cooling Brands.

P/N# 240010348, Rev. D [08/2016]

**COMPLETE BOILER MATERIAL LIST**

**COMPLETE BOILER MATERIAL LIST**

Model	MODEL			* COMPONENT CART.			** STEAM TRIM CARTON	** STEAM TRIM CARTON LESS LOW WATER CUTOFF	*** ACCESSORY CARTON	**** JACKET END PANEL CARTON	**** BASE END PANEL CARTON
	SECTIONS			300	400	500					
	LEFT 41154051	INNER 41154052	RIGHT 41154050	KIT # 550002861	KIT # 550002862	KIT # 550002863					
300	1	2	1	1	-	-	(SA-1) 41200061	41200066	1	1	1
400	1	3	1	-	1	-	(SA-2) 41200062	41200066	1	1	1
500	1	4	1	-	-	1	(SA-3) 41200063	41200067	1	1	1
600	1	5	1	2	-	-	(SA-4) 41200064	41200068	1	1	1
700	1	6	1	1	1	-			1	1	1
800	1	7	1	-	2	-			1	1	1
900	1	8	1	-	1	1			1	1	1
1000	1	9	1	-	-	2			1	1	1
1100	1	10	1	1	2	-			1	1	1
1200	1	11	1	-	3	-			1	1	1
1300	1	12	1	1	-	2			1	1	1
1400	1	13	1	-	1	2			1	1	1
1500	1	14	1	-	-	3			1	1	1

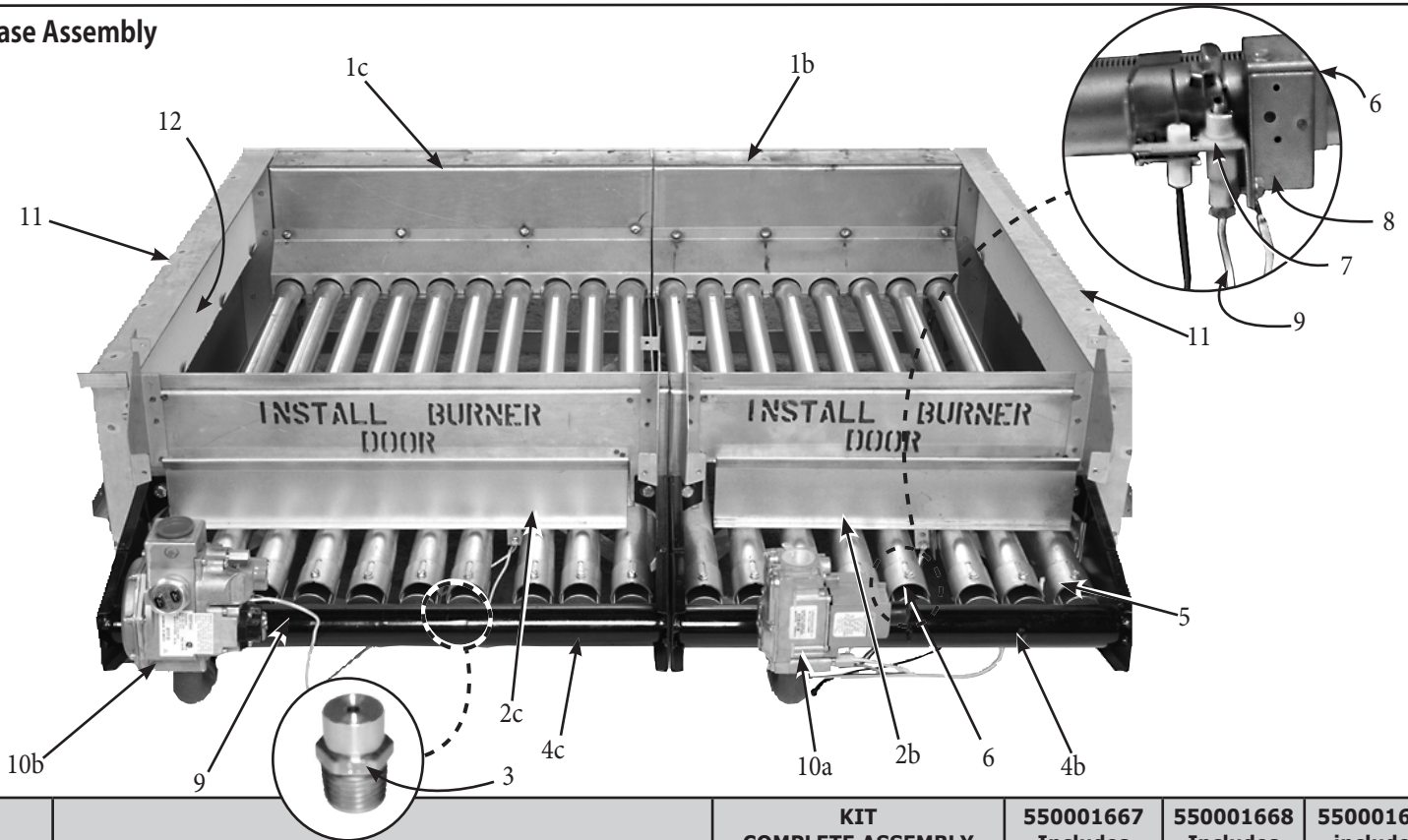
\* SEE PAGE 8 - COMPONENT CARTON PARTS LIST  
 \*\* SEE PAGE 7 - STEAM CARTON PARTS LIST  
 \*\*\* SEE PAGE 3 - ACCESSORY CARTON PARTS LIST  
 \*\*\*\* SEE PAGE 8 - JACKET END PANEL CARTON PARTS LIST  
 \*\*\*\*\* SEE PAGE 4 - BASE PANEL CARTON PARTS LIST

**ACCESSORY CARTON**

<b>ACCESSORY CARTON</b>														
<b>PARTS DESCRIPTION</b>	<b>PART NO.</b>	<b>BOILER MODEL NUMBERS AND QUANTITIES</b>												
		<b>300</b>	<b>400</b>	<b>500</b>	<b>600</b>	<b>700</b>	<b>800</b>	<b>900</b>	<b>1000</b>	<b>1100</b>	<b>1200</b>	<b>1300</b>	<b>1400</b>	<b>1500</b>
COMPLETE ACCY CRTN #		<b>550002877</b>	<b>550002878</b>	<b>550002867</b>	<b>550002879</b>	<b>550002880</b>	<b>550002881</b>	<b>550002882</b>	<b>550002868</b>	<b>550002883</b>	<b>550002884</b>	<b>550002885</b>	<b>550002886</b>	<b>550002869</b>
4" Push Nipples	43300977	6	8	10	12	14	16	18	20	22	24	26	28	30
5/8" - 11NC x 7 Stud	14695304	6	8	10	12	14	16	18	20	22	24	26	28	30
5/8" - 11NC Hex Nut	1330005	12	16	20	24	28	32	36	40	44	48	52	56	60
5/8" Flat Washer	14695306	12	16	20	24	28	32	36	40	44	48	52	56	60
Non-Asbestos Furnace Cement - Pint	1440001	2	2	2	2	2	2	2	2	2	2	2	2	2
FB-1 Fitting Bag	41200051	1	1	1	-	-	-	-	-	-	-	-	-	-
FB-2 Fitting Bag	41200052	-	-	-	1	1	1	1	1	-	-	-	-	-
FB-3 Fitting Bag	41200053	-	-	-	-	-	-	-	-	1	1	1	1	1
3/4" Drain Valve	14622001	1	1	1	1	1	1	1	1	1	1	1	1	1
Nipple Paste - 4oz.	14691302	1	1	1	1	1	1	1	1	1	1	1	1	1
1" Sq. Head Plugs	1395004	4	4	4	4	4	4	4	4	4	4	4	4	4
Junction Box Assembly 1-3 Base	550002870	1	1	1	1	1	1	1	1	1	1	1	1	1
Hercules Grrip 1/4 Pint	14691302	1	1	1	1	1	1	1	2	2	2	2	2	2

## BASE MATERIAL LIST

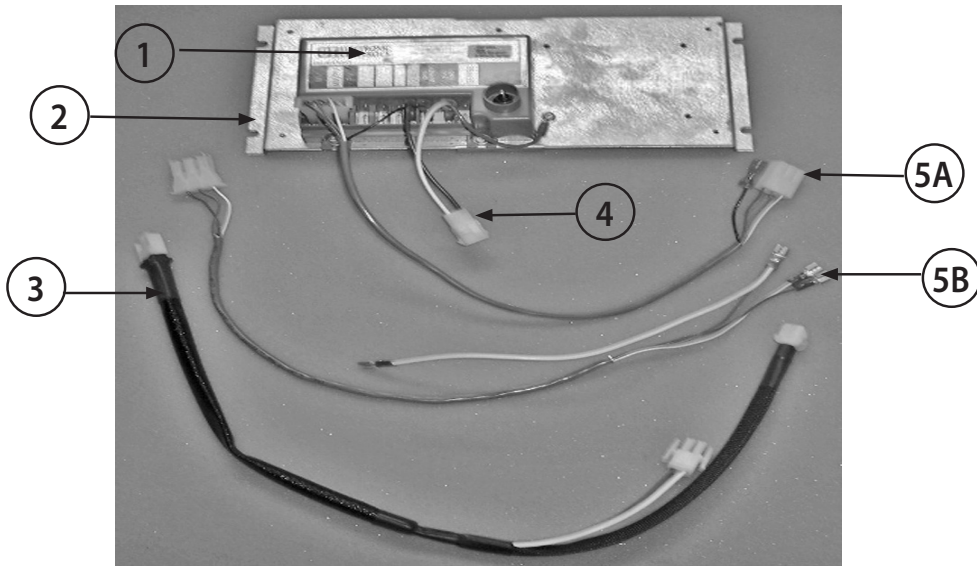
### Base Assembly



No.	PARTS DESCRIPTION	KIT COMPLETE ASSEMBLY	550001667 Includes	550001668 Includes	550001669 includes
		MODEL	300	400	500
		PART NO.	QTY.	QTY.	QTY.
1a	300 Base (Not Shown)	109009240	1	-	-
1b	400 Base	109009241	-	1	-
1c	500 Base	109009242	-	-	1
2a	300 Fire Door (Not Shown)	42557133	1	-	-
2b	400 Fire Door	42557134	-	1	-
2c	500 Fire Door	42557135	-	-	1
3	Orifice #30 (In Manifold)	14615310	6	8	10
4a	300 Manifold (Not Shown)	240006633	1	-	-
4b	400 Manifold	240006634	-	1	-
4c	500 Manifold	240006635	-	-	1
5	Main Burner	14615302	5	7	9
6	Main Burner with Pilot Bracket	14615301	1	1	1
7	Pilot with Ignition Wire	14662099	1	1	1
8	Pilot Mounting Bracket	42557029	1	1	1
9	Pilot Tubing	14615005	1	1	1
10a	VR8304M Gas Valve (300 & 400 Base)	14662315	1	1	-
10b	7000 DERHC Gas Valve (500 Base)	14663001	-	-	1
11	Base End Panels (Left & Right) - Not available individually	42557119	1		
12	Base Side Insulation, Right & Left	13702230	4		
13	Front Base Insulation- 1x3x12.25" (not shown)	420001043	1		
14	Front Base Insulation- 1x3x16.50" (not shown)	420001044		1	
15	Front Base Insulation- 1x3x20.75" (not shown)	420001045			1

## MATERIAL LISTS

### Control Assembly

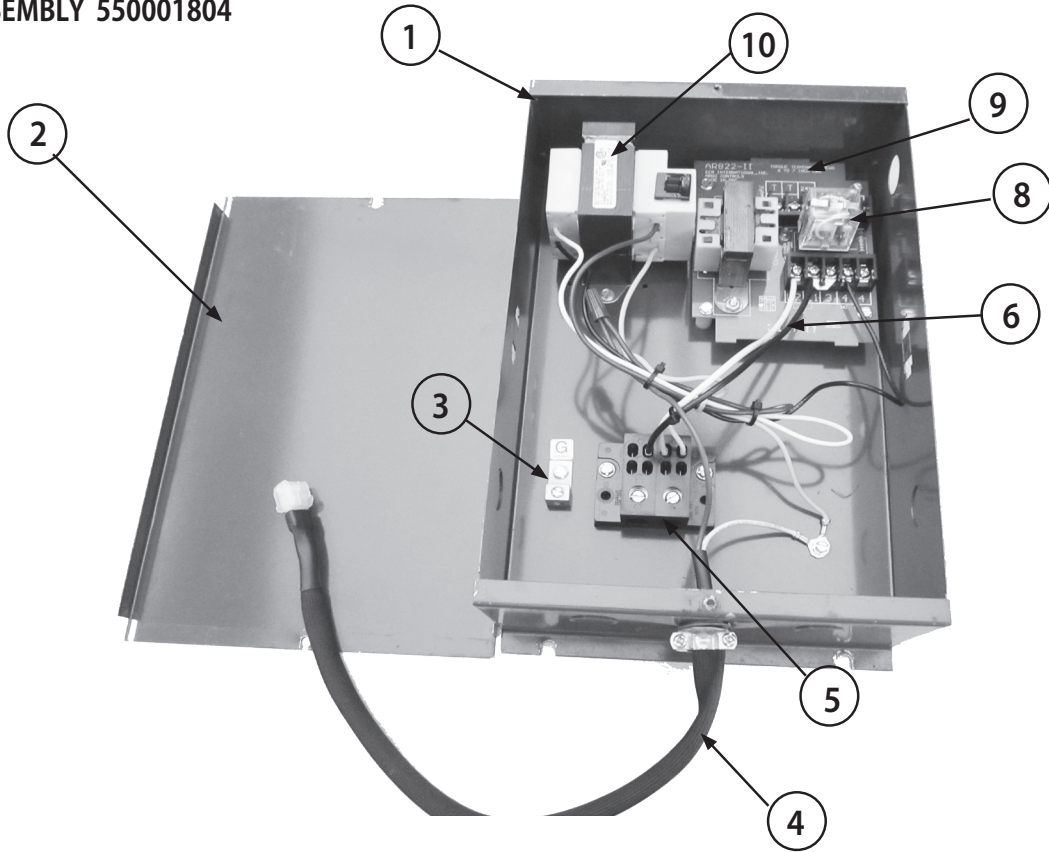


### CONTROL ASSEMBLY

CONTROL ASSEMBLY				
		Control Panel Assembly 300 & 400 Base	Control Panel Assembly 500 Base	
COMPLETE CONTROL PANEL ASSEMBLY		<b>5500001801</b>	<b>550001802</b>	
NO.	PARTS DESCRIPTION	PART NO.	PART NO.	QUANTITY
1	Intermittent Pilot Module	14662070	14662070	1
2	Control Mounting Panel	109006832	109006832	1
3	Base Power Harness	240006732	240006732	1
4	Spark Control Harness	240006625	240006625	1
5A	Harness Gas Valve	240006624		1
5B	Harness Gas Valve		240006841	1

## MATERIAL LISTS

### JUNCTION BOX ASSEMBLY 550001804



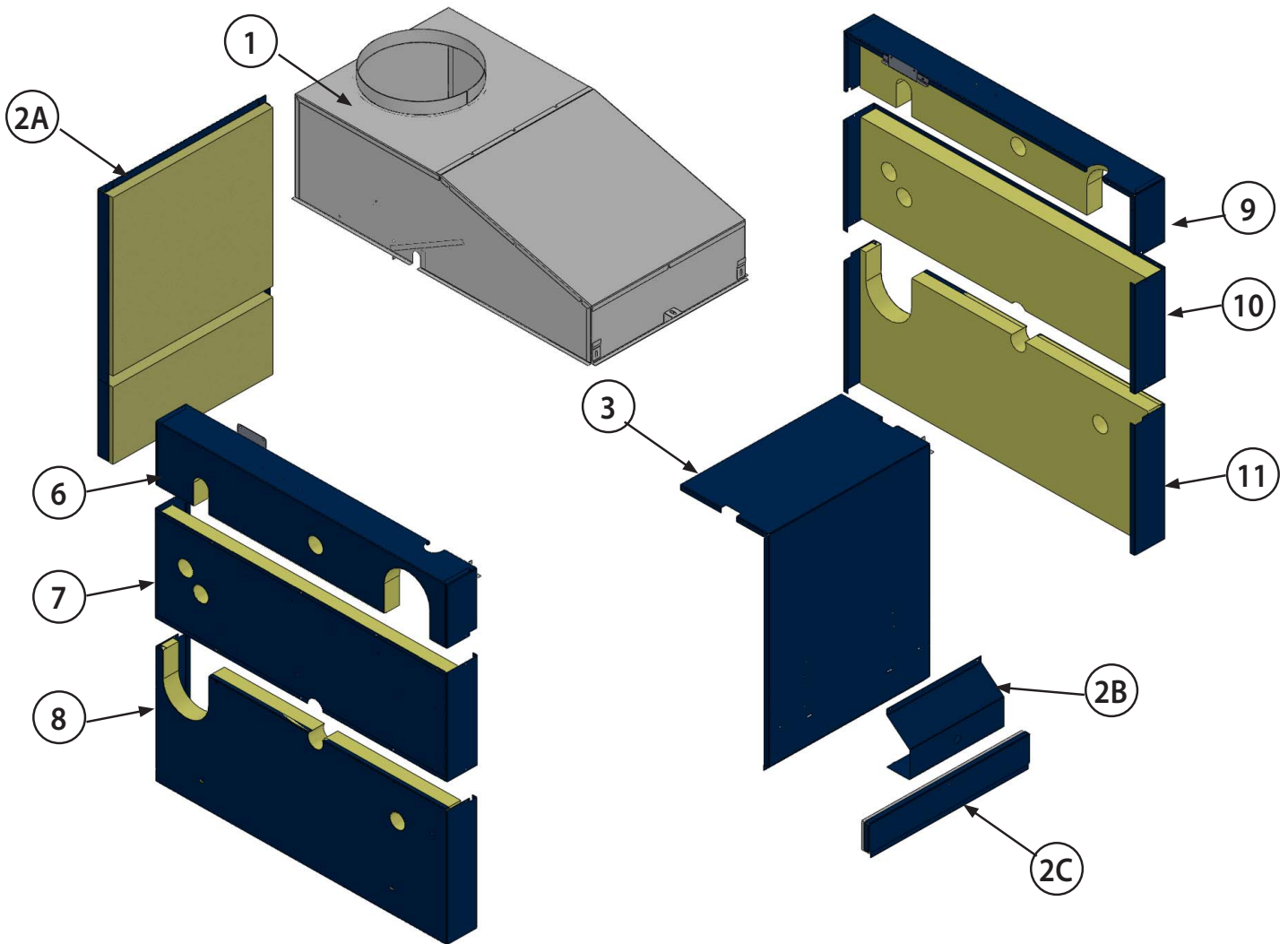
<b>JUNCTION BOX ASSEMBLY</b>			
<b>COMPLETE JUNCTION BOX ASSEMBLY 1-3 BASE - 550002870</b>			<b>MODELS 300-1500</b>
			<b>QTY.</b>
1	Junction Box	109006843	1
2	Box Cover	109006844	1
3	Ground Lug	212000015	1
4	Harness, Main Burner	240010345	1
5	Terminal Block	212000014	1
6	Harness, Relay Power	240006697	1
7	Harness, Transformer	240006698	-
8	AR822II Control Board	240006685	1
9	Relay on AR822II	R35C	1
10	Transformer 75VA	240006995	1

## MATERIAL LISTS

<b>STEAM TRIM CARTON</b>						
<b>PARTS DESCRIPTION</b>	<b>PART NO.</b>	<b>UNIT</b>	<b>QUANTITY PER CARTON</b>			
			<b>SA-1 41200061</b>	<b>SA-2 41200062</b>	<b>SA-3 41200063</b>	<b>SA-4 41200064</b>
67D-1 McDonnell & Miller LWCO	14626042	Ea.	1	1	1	1
PA404A Pressuretrol	14662015	Ea.	1	1	1	1
Gauge-water level 22-182-10 8-1/16" Tube	GA-004.00	Ea.	1	1	1	1
2-1/2" Round Steam Gage	14623006	Ea.	1	1	1	1
3/4" x 3/4" Safety Valve	1570001	Ea.	1	-	-	-
1" x 1" Safety Valve	1570002	Ea.	-	1	-	-
1-1/4" x 1-1/2" Safety Valve	1570003	Ea.	-	-	1	-
1-1/2" x 2" Safety Valve	1570004	Ea.	-	-	-	1
1/4" Brass Syphon Loop	14643005	Ea.	1	1	1	1
1/4" Brass Tee	14693057	Ea.	1	1	1	1
1/4" x 2" Brass TBE Nipple	14607054	Ea.	1	1	1	1



## MATERIAL LISTS



<b>COMPONENT CARTON MATERIAL LIST</b>				
<b>ITEM</b>	<b>PARTS DESCRIPTION</b>	<b>Model 300 550002861</b>	<b>Model 400 550002862</b>	<b>Model 500 550002863</b>
1	Draft Hood	42557113	42557114	42557115
2	Intermediate Jacket Carton	550002872	550002873	550002874
2A	Rear Panel	109009235	109009236	109009237
2B	Control Panel Access Door	109009211		
2C	Lower Access Door	109006759AC	109006760AC	109006761AC
3	Top Front Panel Assembly	109009216	109009217	109009210
4	Base Assembly (see pg 3)	550002864	550002865	550002866
5	Control Panel Assembly (not shown)	550001801	550001801	550001802
<b>JACKET END PANEL CARTON (550002871) MATERIAL LIST</b>				
6	Panel End Left Upper	109009220		
7	Panel End Left Middle	109009222		
8	Panel End Left Lower	109009224		
9	Panel End Right Upper	109009221		
10	Panel End Right Middle	109009223		
11	Panel End Right Lower	109009225		



## MATERIAL LISTS

<b>FITTING BAGS MATERIAL LIST</b>				
PARTS DESCRIPTION	PART NO.	FB-1 41200051	FB-2 41200052	FB-3 41200053
#10 x 1/2" Self Tap Screws	14695074	60	70	80
#8 x 3/4" Self Tap Screws	14695003	2	2	2
5/16" - 18NC 3/4" Hex Head Bolts	1040001	8	12	16
5/16" - 18NC Hex Nuts	1330007	8	12	16
1/4" - 20NC x 1.1/2" J Bolts	14695303	1	2	3
1/4" - 20NC Hex Bolts	HW-003.02	1	2	3
Jacket Door Knobs	13702153	1	2	3
Knob Screws	14695004	1	2	3

<b>ALTERNATE COMPONENT LIST</b>		
NO.	PARTS DESCRIPTION	PART NO.
1	Steam Manual Reset Pressure Control (L404C-1147)	14662311
2	LWCO and Feeder #47-2 (Models 300-1500)	1280001
3	Water High Limit Control with Manual Reset - (L4006E-1109 and well)	43300520
4	Strap-on Operating Control (L6006C-1034)	14662313
5	LWCO with Manual Reset (PS852M-24) - to eliminate the 67D LWCO	14626305







---

**DUNKIRK BOILERS**  
2201 Dwyer Avenue, Utica NY 13501  
web site: [www.ecrinternational.com](http://www.ecrinternational.com)