

CONDENSATION / EXHAUST KIT INSTRUCTIONS

Kit #550002946

Replacement kit for 90-200 BOILER

Kit installation shall be completed by qualified agency.

⚠ WARNING

Fire, explosion, asphyxiation and electrical shock hazard. Improper installation could result in death or serious injury. Read this instruction and understand all requirements, including requirements of authority having jurisdiction, before beginning installation. Installation not complete until appliance operation verified per Installation, Operation & Maintenance Manual provided with boiler.

- Instructions are for replacing the exhaust tee and condensate trap assembly with drain exiting bottom of the exhaust tee on the 90-200 boiler allowing boiler to properly drain.
- Particulate will collect in the drain plug on exhaust tee. Drain plug on exhaust tee can be removed for cleaning.
- Follow instructions TO TURN OFF GAS TO APPLIANCE found on Operating Instructions label on boiler or in Installation, Operation & Maintenance Manual. Verify all electrical power to boiler is turned off.

Kit Installation:

⚠ WARNING

Electrical shock hazard. Turn OFF electrical power supply at service panel.

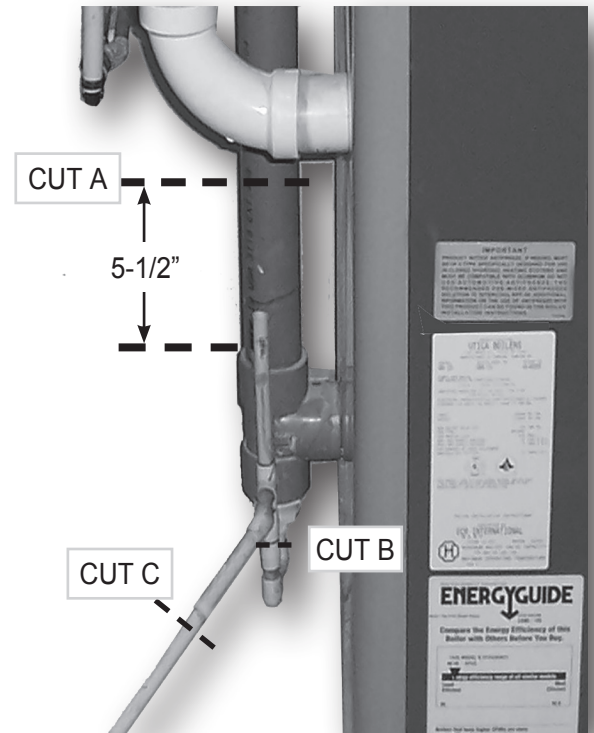
1. Remove front jacket panel(s).

⚠ WARNING

Burn hazard. Verify heat exchanger has cooled or use appropriate personal protection equipment.

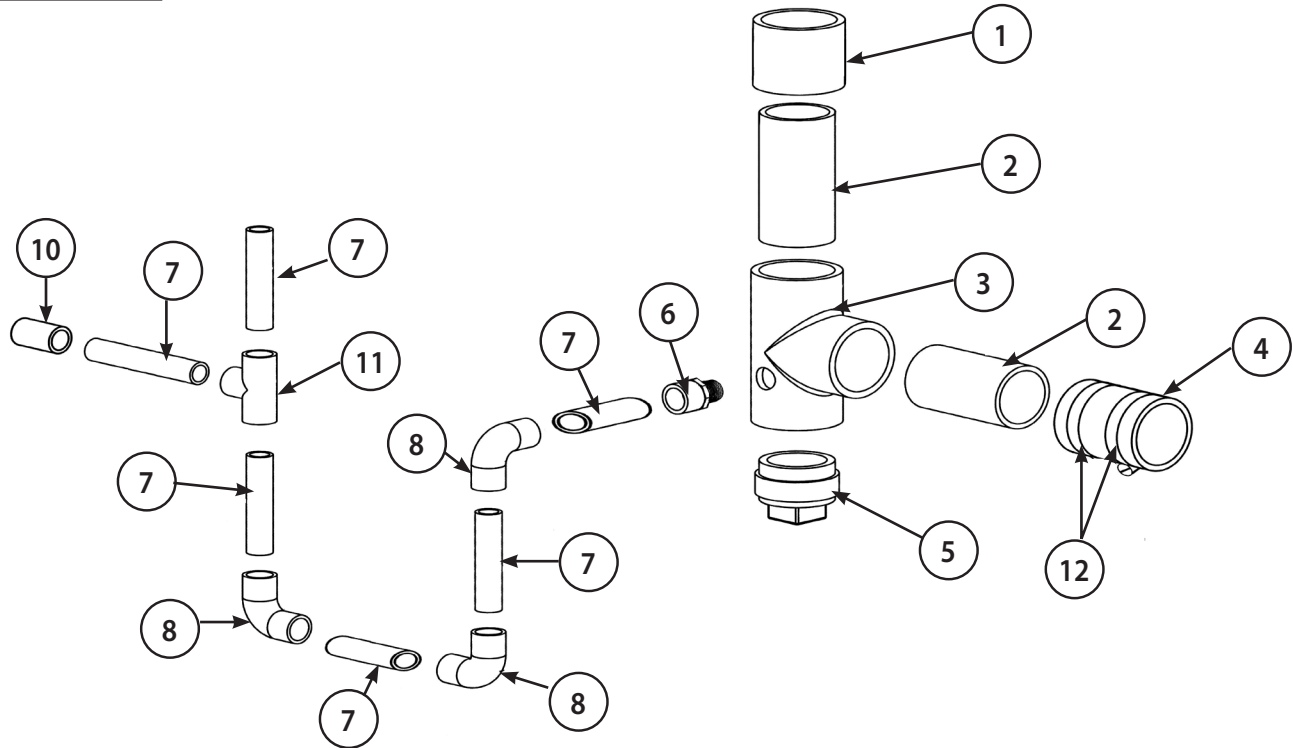
2. Cut exhaust pipe 5½" from tee flange. See figure 1. Before cutting vertical exhaust pipe, verify it is secured and will not fall. Cut existing exhaust pipe and edge. See Cut A.
3. Cut condensate line just below ½" tee. See Cut B.
4. At boiler exhaust outlet, loosen downstream pipe clamp on rubber coupling.
5. Remove assembly from rubber coupling.
6. Assemble parts 1 through 3. Thread item 4 onto tee. Slide coupling onto existing exhaust pipe. Insert other end into rubber coupling at boiler's exhaust outlet.
7. Assemble remaining kit parts. See Figure 2. Assemble drain piping then attach assembly to threaded fitting in exhaust tee. See item 4.
8. Cut existing condensate lines. Use new parts as guide for measuring where to cut remainder of existing condensate line pipes. See Cut C.
9. Connect existing line with new ½" condensate line coupling.
10. Verify all joints are air-tight and cemented.
11. Verify hose clamp at exhaust outlet is tightened.
12. Resume operation using OPERATING INSTRUCTIONS found on Operating Instructions label on boiler or in Installation, Operation & Maintenance Manual.
13. Verify proper operation by following START UP PROCEDURE in Installation, Operation & Maintenance Manual.
14. Install front jacket panel(s).

Figure 1 - Exhaust Pipe and Condensation Line Cuts



CONDENSATION / EXHAUST KIT INSTRUCTIONS

Figure 2 - Kit Parts



PARTS LIST FOR KIT 550002946			
ITEM	PART NUMBER	DESCRIPTION	QTY
1	240006822	Coupling, 2" CPVC	1
2	240006827	Vent Pipe, 2" Sch. 40 x 7" long CPVC	2
3	3002223	Tee, 2" Sch 80 CPVC	1
4	14631301	2 3/8" ID Hose, 3" long	1
5	240005852	PVC Cleanout Cap	1
6	1001002	PVC Fitting, 1/2"NPT Male x 1/2" Slip Female	1
7	240007262	Pipe, 1/2" Sch. 40 x 3-3/4" PVC	6
8	1190005	Elbow, 1/2" x 90° Sch. 40 PVC	3
10	240007251	Coupling, 1/2" Sch. 40 PVC	1
11	1510015	Tee, 1/2" x 1/2" x 1/2" Sch. 40 PVC	1
12	14631302	Stainless steel clamp	2