



Models
DKVLT-050
DKVLT-075
DKVLT-100
DKVLT-150
DKVLT-200
DKVLT-299



**WALL MOUNTED
CONDENSING GAS BOILER**

**PARTS, KITS &
OPTIONAL ACCESSORIES**

Ordering Instructions

Order Parts through your nearest supplier.

When ordering parts, obtain Model Number and Serial Number from data plate on your boiler.

Include following information when ordering.

Part Number _____

Part Description _____

Boiler Model Number _____

Boiler Serial Number _____

Manufactured by:

ECR International, Inc.

2201 Dwyer Avenue, Utica NY 13501

web site: www.ecrinternational.com

P/N# 240008889, Rev. F [04/2013]



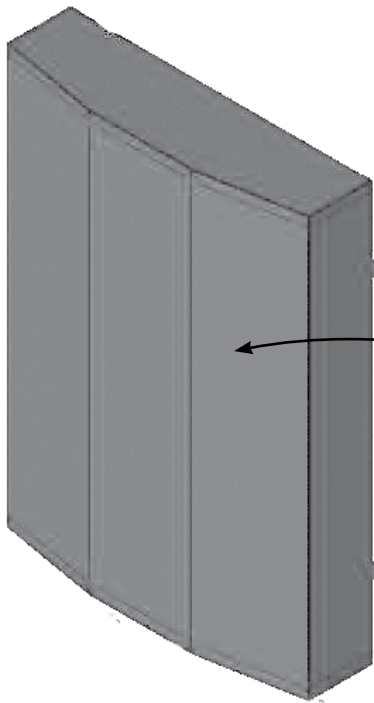
The Strength of
American Ingenuity.

An ISO 9001-2008 Certified Company

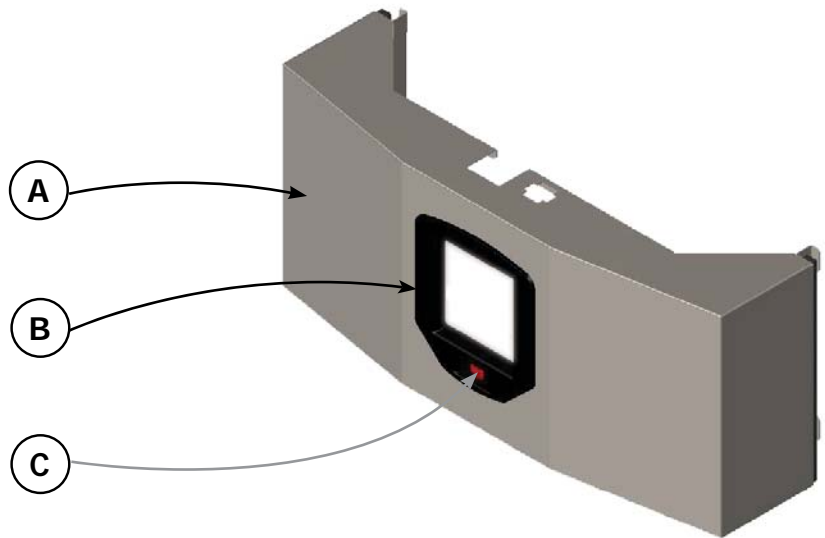
TABLE OF CONTENTS

Blower Kit - 050/075/100/150/200 Mbh	12
Blower Kit - 299 Mbh	13
Burner Inspection Kit 50/075/100/150/200 Mbh	6
Burner Replacement Kits	6
Concentric Vent Kits.....	23
Condensate Collector Kit 050/075/100 Mbh.....	16
Condensate Collector Kit 150/200 Mbh	17
Condensate Trap Kits	15
Control Module Kit	18
Flame Sensor Kit	9
Flexible Gas Line Kits	14
Gas Conversion Kits.....	22
Gas Valve Kit - 299 Mbh	11
Gas Valve Kits - 050/075/100/150/200 Mbh.....	10
Heat Exchanger Kits.....	4
Heat Exchanger Surface Temperature Switch Kits.....	21
High Altitude Kit 050/075/100/150/299 Mbh	23
Igniter Kits	8
Jacket Kits.....	3
Misc. Replacement Parts.....	24
Misc. Replacement Parts - Conti.....	25
Multi Boiler Sensor Kit	23
User Interface Kit	19
Wire Harness Kits	20
Quick Index.....	26

JACKET KITS



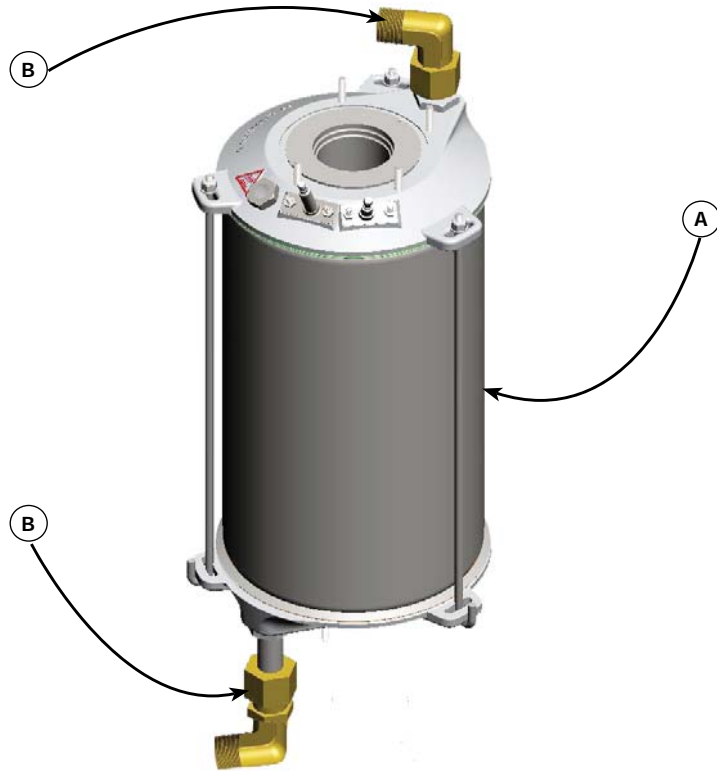
050/075/100 Upper Jacket Kit # 550002309			
Item	DESCRIPTION	PART #	QTY
A	Upper Jacket w/Gasket	-	1
150/200 Upper Jacket Kit # 550002310			
Item	DESCRIPTION	PART #	QTY
A	Upper Jacket w/Gasket	-	1
299 Upper Jacket Kit # 550002822			
Item	DESCRIPTION	PART #	QTY
A	Upper Jacket w/Gasket	-	1



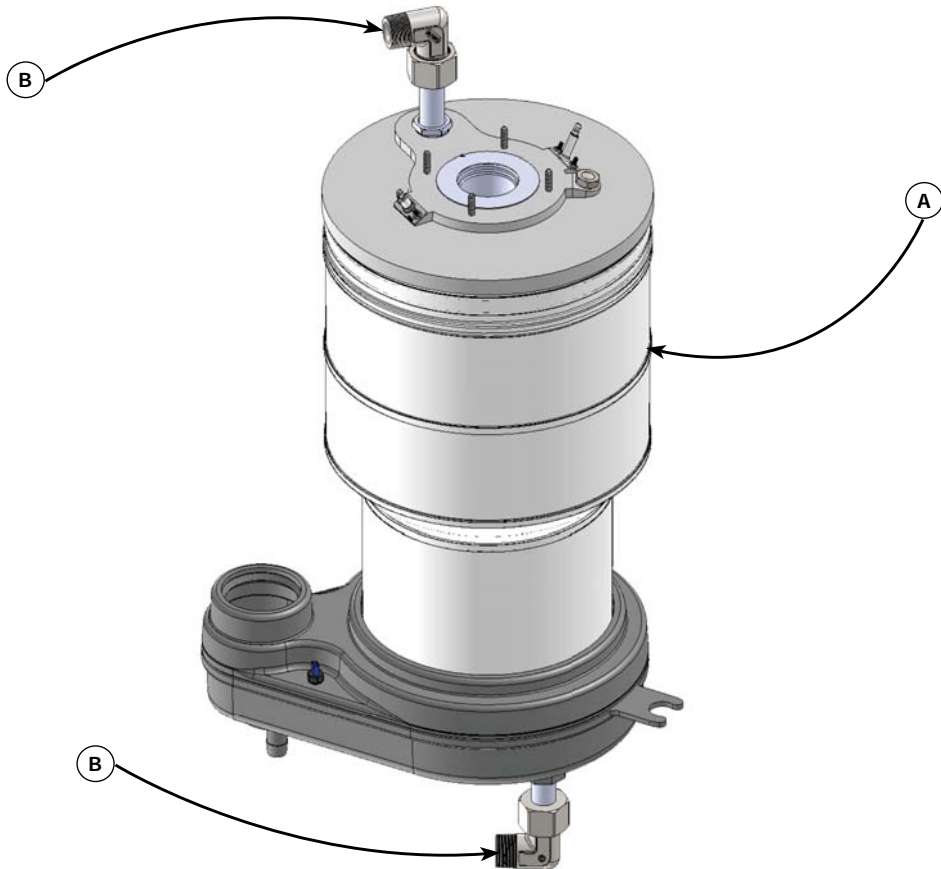
050/075/100 Lower Jacket Kit # 550002313				
Jacket Kit 550002313 includes all items listed	Item	DESCRIPTION	PART #	QTY
	A	Lower Jacket Assembly w/gasket	-	1
	B	Plastic Bezel	108000182	1
	C	Rocker Switch 10A,250V,LRA91	1500012	1
150/200 Lower Jacket Kit # 550002314				
Jacket Kit 550002314 includes all items listed	Item	DESCRIPTION	PART #	QTY
	A	Lower Jacket Assembly w/gasket	-	1
	B	Plastic Bezel	108000182	1
	C	Rocker Switch 10A,250V,LRA91	1500012	1
299 Lower Jacket Kit # 550002823				
Jacket Kit 550002823 includes all items listed	Item	DESCRIPTION	PART #	QTY
	A	Lower Jacket Assembly w/gasket	-	1
	B	Plastic Bezel	108000182	1
	C	Rocker Switch 10A,250V,LRA91	1500012	1

HEAT EXCHANGER KITS

Heat Exchanger Kit - 050, 075, 100, 150, 200 MBH



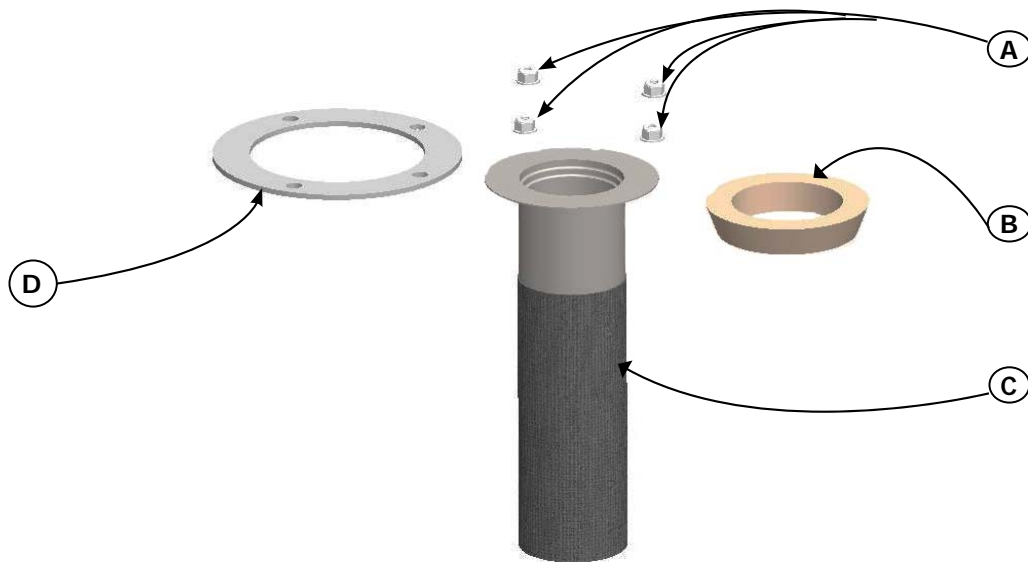
Heat Exchanger Kit with Flue Collector - 299 MBH



HEAT EXCHANGER KITS

050 Heat Exchanger Kit # 550002271				
Heat Exchanger Kit #550002271 includes all items listed	ITEM	DESCRIPTION	PART #	QTY
	A	Heat Exchanger Module (includes: Igniter, Flame Sensor)	-	1
	B	Fitting, Compression 90°, 20 mm tube x 3/4 NPT	-	2
	*	Instructions	240008928	1
075 Heat Exchanger Kit # 550002272				
	A	Heat Exchanger Module (includes: Igniter, Flame Sensor)	-	1
	B	Fitting, Compression 90°, 20 mm tube x 3/4 NPT	-	2
	*	Instructions	240008928	1
100 Heat Exchanger Kit # 550002273				
	A	Heat Exchanger Module (includes: Igniter, Flame Sensor)	-	1
	B	Fitting, Compression 90°, 20 mm tube x 3/4 NPT	-	2
	*	Instructions	240008928	1
150 Heat Exchanger Kit # 550002274				
Heat Exchanger Kit #550002274 includes all items listed	ITEM	DESCRIPTION	PART #	QTY
	A	Heat Exchanger Module (includes: Igniter, Flame Sensor)	-	1
	B	Fitting, Compression 90°, 25 mm tube x 1 NPT	-	2
	*	Instructions	240008928	1
200 Heat Exchanger Kit # 550002275				
	A	Heat Exchanger Module (includes: Igniter, Flame Sensor)	-	1
	B	Fitting, Compression 90°, 25 mm tube x 1 NPT	-	2
	*	Instructions	240008928	1
299 Heat Exchanger Kit # 550002808				
	A	Heat Exchanger Module (includes: Heat Exchanger Coil, Top Cap, Igniter, Flame Sensor with Flue Collector Installed)	-	1
	B	Fitting, Compression 90°, 25 mm tube x 1 NPT	-	2
	*	Instructions	240010108	1
* Not Shown				

BURNER REPLACEMENT KITS



50/075/100/150/200 Burner Inspection Kit # 550002280					
	ITEM	DESCRIPTION	PART #	QTY	
Replacement Inspection Kit #550002280 includes all items listed	A	1/4-20 Nut	-	8	
	B	Burner Sleeve, Refractory	-	1	
	D	Gasket, Air/Fuel Inlet	-	1	
	*	O-ring	50/075/100	-	1
			150/200	-	1
	*	8-32 Hex Nut	-	4	
	*	Instructions	240008931	1	
299 Burner Inspection Kit # 550002818					
	ITEM	DESCRIPTION	PART #	QTY	
Replacement Inspection Kit #550002818 includes all items listed	A	1/4-20 Nut	-	8	
	B	Burner Sleeve, Refractory	-	1	
	D	Gasket, Air/Fuel Inlet	-	1	
	*	O-ring	299	-	1
	*	8-32 Hex Nut	-	4	
	*	Instructions	240010107	1	
* Not Shown					

050 Replacement Burner Kit # 550002276				
	ITEM	DESCRIPTION	PART #	QTY
Replacement Burner Kit #550002276 includes all items listed	A	1/4-20 Nut	-	4
	B	Burner Sleeve, Refractory	-	1
	C	Burner 50K BTU	-	1
	D	Burner Gasket	-	1
	*	Igniter Gasket	-	1
	*	O-ring	-	1
	*	8-32 Hex Nut	-	2
	*	Instructions	240008933	1

BURNER REPLACEMENT KITS

Burner Replacement Kits - Conti.

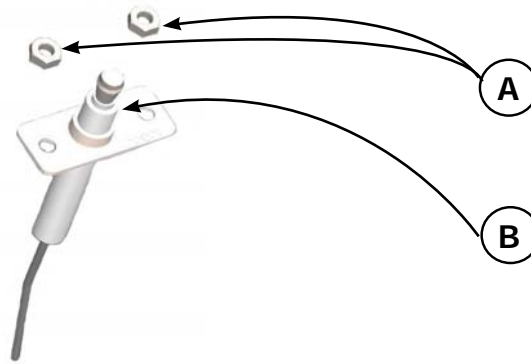
075 Replacement Burner Kit # 550002277				
Replacement Burner Kit #550002277 includes all items listed	A	1/4-20 Nut	-	4
	B	Burner Sleeve, Refractory	-	1
	C	Burner 75K BTU	-	1
	D	Burner Gasket	-	1
	*	Igniter Gasket	-	1
	*	O-ring	-	1
	*	8-32 Hex Nut	-	2
	*	Instructions	240008933	1
100 Replacement Burner Kit # 550002278				
Replacement Burner Kit #550002278 includes all items listed	A	1/4-20 Nut	-	4
	B	Burner Sleeve, Refractory	-	1
	C	Burner 100K BTU	-	1
	D	Burner Gasket	-	1
	*	Igniter Gasket	-	1
	*	O-ring	-	1
	*	8-32 Hex Nut	-	2
	*	Instructions	240008933	1
150/200 Replacement Burner Kit # 550002279				
Replacement Burner Kit #550002279 includes all items listed	A	1/4-20 Nut	-	4
	B	Burner Sleeve, Refractory	-	1
	C	Burner 150K BTU	-	1
	D	Burner Gasket	-	1
	*	Igniter Gasket	-	1
	*	O-ring	-	1
	*	8-32 Hex Nut	-	2
	*	Instructions	240008933	1
299 Replacement Burner Kit # 550002809				
Replacement Burner Kit #550002809 includes all items listed	A	1/4-20 Nut	-	4
	B	Burner Sleeve, Refractory 299 MBH	-	1
	C	Burner 299K BTU	-	1
	D	Burner Gasket	-	1
	*	Igniter Gasket	-	1
	*	O-ring	-	1
	*	8-32 Hex Nut	-	2
	*	Instructions	240010106	1

IGNITER KITS



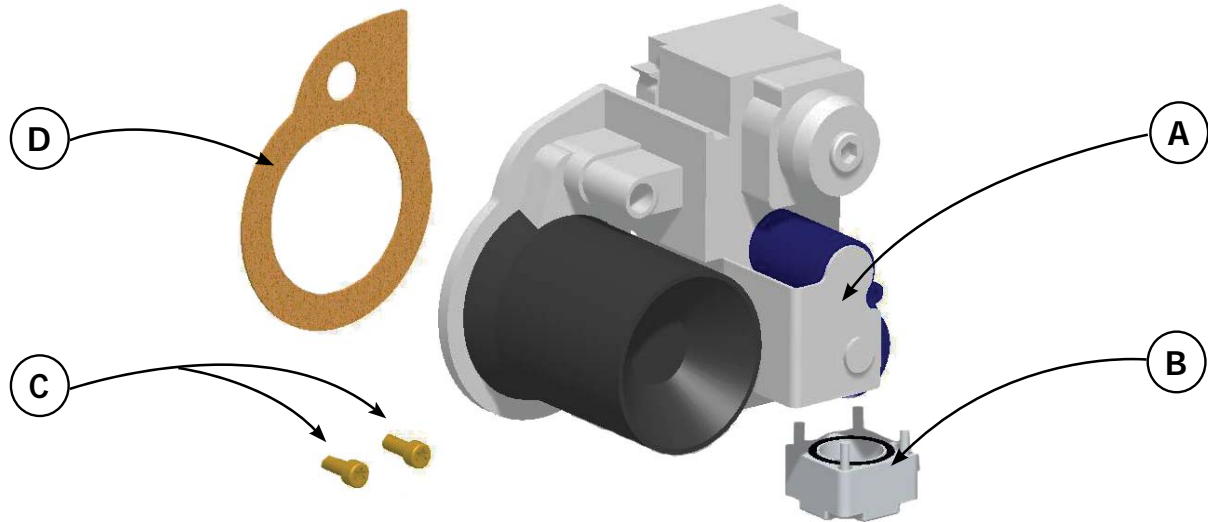
050/075/100 Igniter Kit # 550002190				
	ITEM	DESCRIPTION	PART #	QTY
Igniter Kit #550002190 includes all items listed	A	8-32, Hex Nut	-	2
	B	Igniter	-	1
	C	Igniter Gasket	-	1
	*	Instructions	240008592	1
150/200/299 Igniter Kit # 550002282				
	ITEM	DESCRIPTION	PART #	QTY
Igniter Kit #550002282 includes all items listed	A	8-32 Hex Nut	-	2
	B	Igniter	-	1
	C	Igniter Gasket	-	1
	*	Instructions	240008592	1
* Not Shown				

FLAME SENSOR KITS



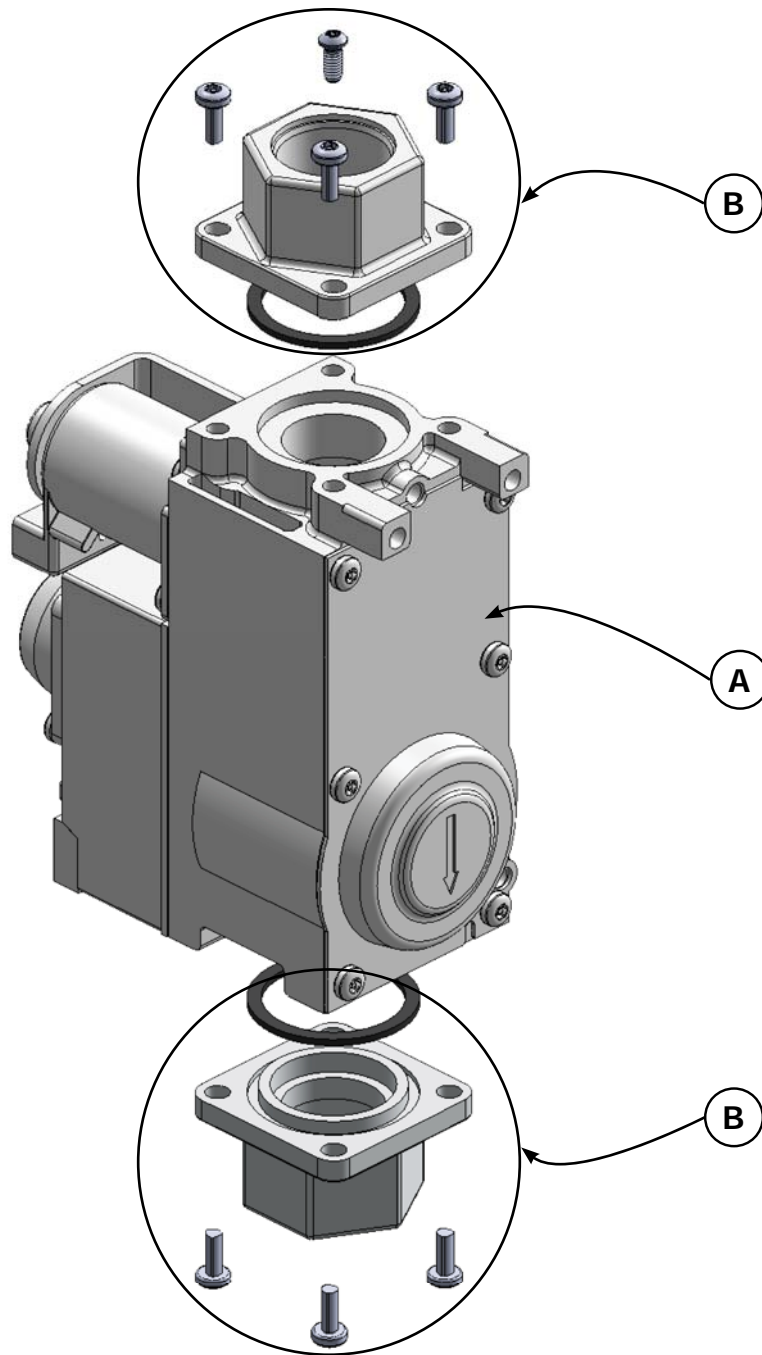
050/075/100 Flame Sensor Kit #550002283				
Flame Rod Kit #550002283 includes all items listed	ITEM	DESCRIPTION	PART #	QTY
	A	8-32 Hex Nut	-	2
	B	Sensor Flame	-	1
	*	Instructions	240008593	1
150/200 Flame Sensor Kit #550002284				
Flame Rod Kit #550002284 includes all items listed	ITEM	DESCRIPTION	PART #	QTY
	A	8-32 Hex Nut	-	2
	B	Sensor Flame	-	1
	*	Instructions	240008593	1
299 Flame Sensor Kit #550002810				
Flame Rod Kit #550002810 includes all items listed	ITEM	DESCRIPTION	PART #	QTY
	A	8-32 Hex Nut	-	2
	B	Sensor Flame 299 MBH	-	1
	*	Instructions	240008593	1
* Not Shown				

GAS VALVE KITS - 050/075/100/150/200 MBH



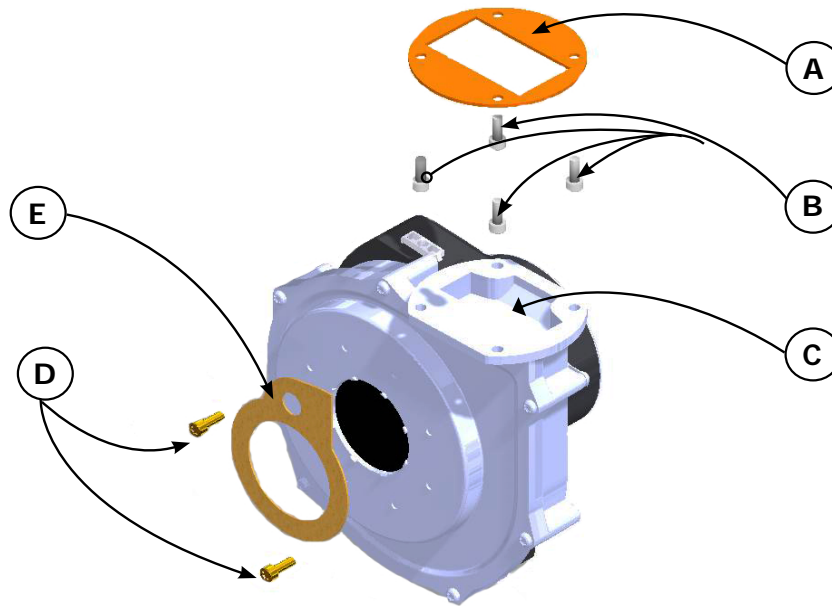
050 Gas Valve Kit # 550002329				
Gas Valve Kit #550002329 includes all items listed	A	Gas Valve, 050, VK4115V	-	1
	B	Gas Valve Flange Kit	1235008	1
	C	Screw, T25 Torx	-	2
	D	Gasket, Cork	1250021	1
	*	Instructions	240008939	1
075 Gas Valve Kit # 550002285				
Gas Valve Kit #550002285 includes all items listed	A	Gas Valve, 075, VK4115V	-	1
	B	Gas Valve Flange Kit	1235008	1
	C	Screw, T25 Torx	-	2
	D	Gasket, Cork	1250021	1
	*	Instructions	240008939	1
100 Gas Valve Kit # 550002286				
Gas Valve Kit #550002286 includes all items listed	A	Gas Valve, 100, VK4115V	-	1
	B	Gas Valve Flange Kit	1235008	1
	C	Screw, T25 Torx	-	2
	D	Gasket, Cork	1250021	1
	*	Instructions	240008939	1
150 Gas Valve Kit # 550002287				
Gas Valve Kit #550002287 includes all items listed	A	Gas Valve, 150, VK4115F	-	1
	B	Gas Valve Flange Kit	1235008	1
	C	Screw, T25 Torx	-	2
	D	Gasket, Cork	1250021	1
	*	Instructions	240008939	1
200 Gas Valve Kit # 550002288				
Gas Valve Kit #550002288 includes all items listed	A	Gas Valve, 200, VK4115F	-	1
	B	Gas Valve Flange Kit	1235008	1
	C	Screw, T25 Torx	-	2
	D	Gasket, Cork	1250021	1
	*	Instructions	240008939	1
* Not Shown				

GAS VALVE KIT - 299 MBH



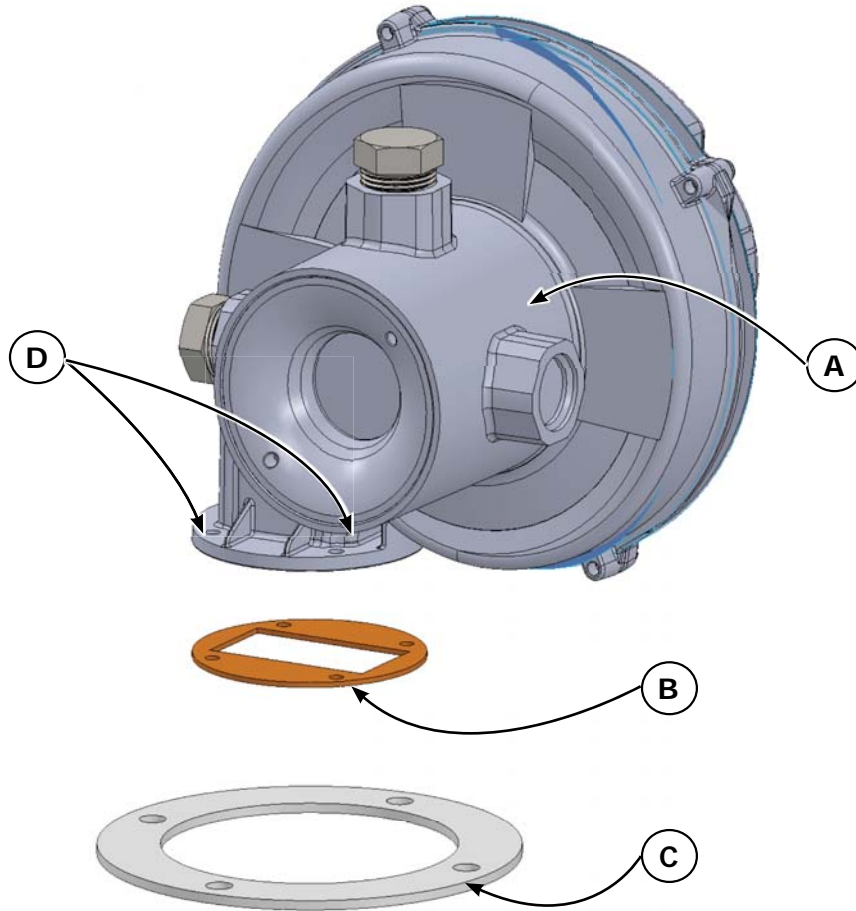
299 Gas Valve Kit # 550002811				
Gas Valve Kit #550002811 includes all items listed	A	Gas Valve, 299, VR4615	-	1
	B	Gas Valve Flange Kit	-	1
	*	Instructions	240010104	1
* Not Shown				

BLOWER KIT - 050/075/100/150/200 MBH



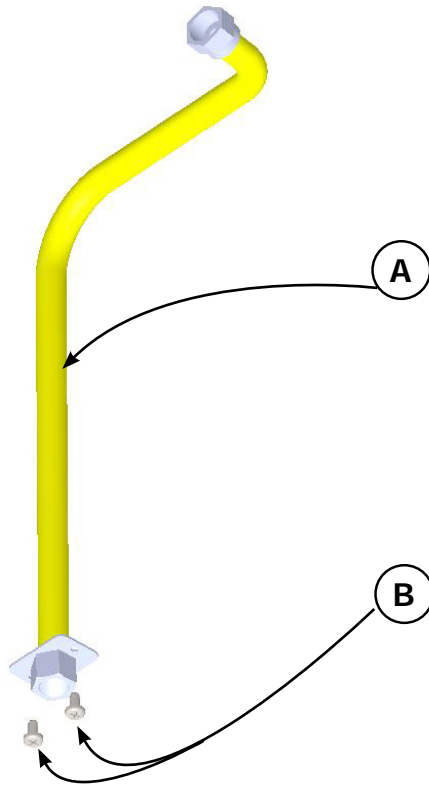
050/075/100 Blower Kit # 550002291				
	ITEM	DESCRIPTION	PART #	QTY
Blower Motor Kit #550002291 includes all items listed	A	Red Gasket, Fan/Transition Piece	1250007	1
	B	Screw, 10-24 X 1/2" Socket Head Cap	-	4
	C	Blower, 120 V 50/60 HZ, RG130/0800-3612	-	1
	D	Screw, T25 Torx	-	4
	E	Gasket, Cork	1250021	1
	*	¼-20 Hex Flange Nut	-	4
	*	Instructions	240008943	1
150 Blower Kit # 550002292				
Blower Motor Kit #550002292 includes all items listed	A	Red Gasket, Fan/Transition Piece	1250007	1
	B	Screw, 10-24 X 1/2" Socket Head Cap	-	4
	C	Blower, 120 V 50/60 HZ, RG148/1200-3612	-	1
	D	Screw, T25 Torx	-	4
	E	Gasket, Cork	1250021	1
	*	¼-20 Hex Flange Nut	-	4
	*	Instructions	240008943	1
200 Blower Kit # 550002293				
Blower Motor Kit #550002293 includes all items listed	A	Red Gasket, Fan/Transition Piece	1250007	1
	B	Screw, 10-24 X 1/2" SS Socket Head Cap	-	4
	C	Blower, 120 V 50/60 HZ, RG148/1200-3633	-	1
	D	Screw, T25 Torx	-	4
	E	Gasket, Cork	1250021	1
	*	¼-20 Hex Flange Nut	-	4
	*	Instructions	240008943	1
* Not Shown				

BLOWER KIT - 299 MBH



299 Blower Kit # 550002812				
	ITEM	DESCRIPTION	PART #	QTY
Blower Motor Kit #550002812 includes all items listed	A	Blower, 120 V 50/60 HZ, NRG137		
	B	Red Gasket, Fan/Transition Piece	1250007	1
	C	Gasket	240009969	1
	D	¼-20 Hex Flange Nut	-	4
	*	Instructions	240010105	1

FLEXIBLE GAS LINE KITS



050/075/100 Flexible Gas Line Kit # 550002289

Flexible Gas Line Kit #550002289 includes all items listed	ITEM	DESCRIPTION	PART #	QTY
	A	Flexible Gas Line 23½"	-	1
	B	Screw, 12-24x1/2 Type F	-	2
	*	Instructions	240008941	1

150/200 Flexible Gas Line Kit # 550002290

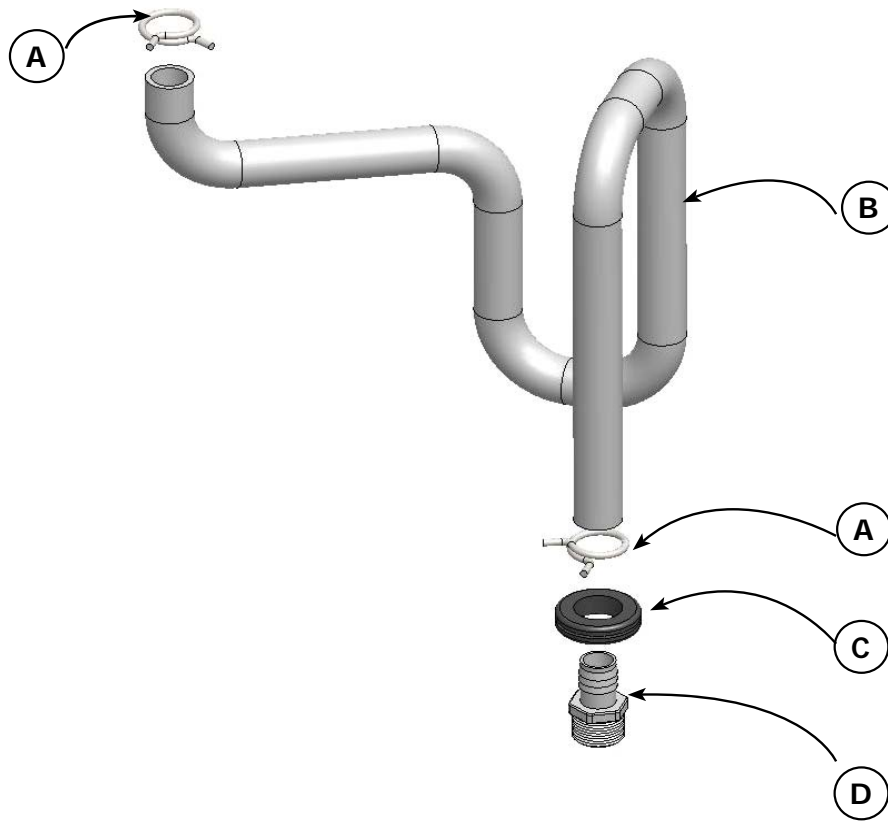
Flexible Gas Line Kit #550002290 includes all items listed	A	Flexible Gas Line 28"	-	1
	B	Screw, 12-24x1/2 Type F	-	2
	*	Instructions	240008941	1

299 Flexible Gas Line Kit # 550002813

Flexible Gas Line Kit #550002813 includes all items listed	A	Flexible Gas Line 15"	-	1
	B	Screw, 12-24x1/2 Type F	-	2
	*	Instructions	240008941	1

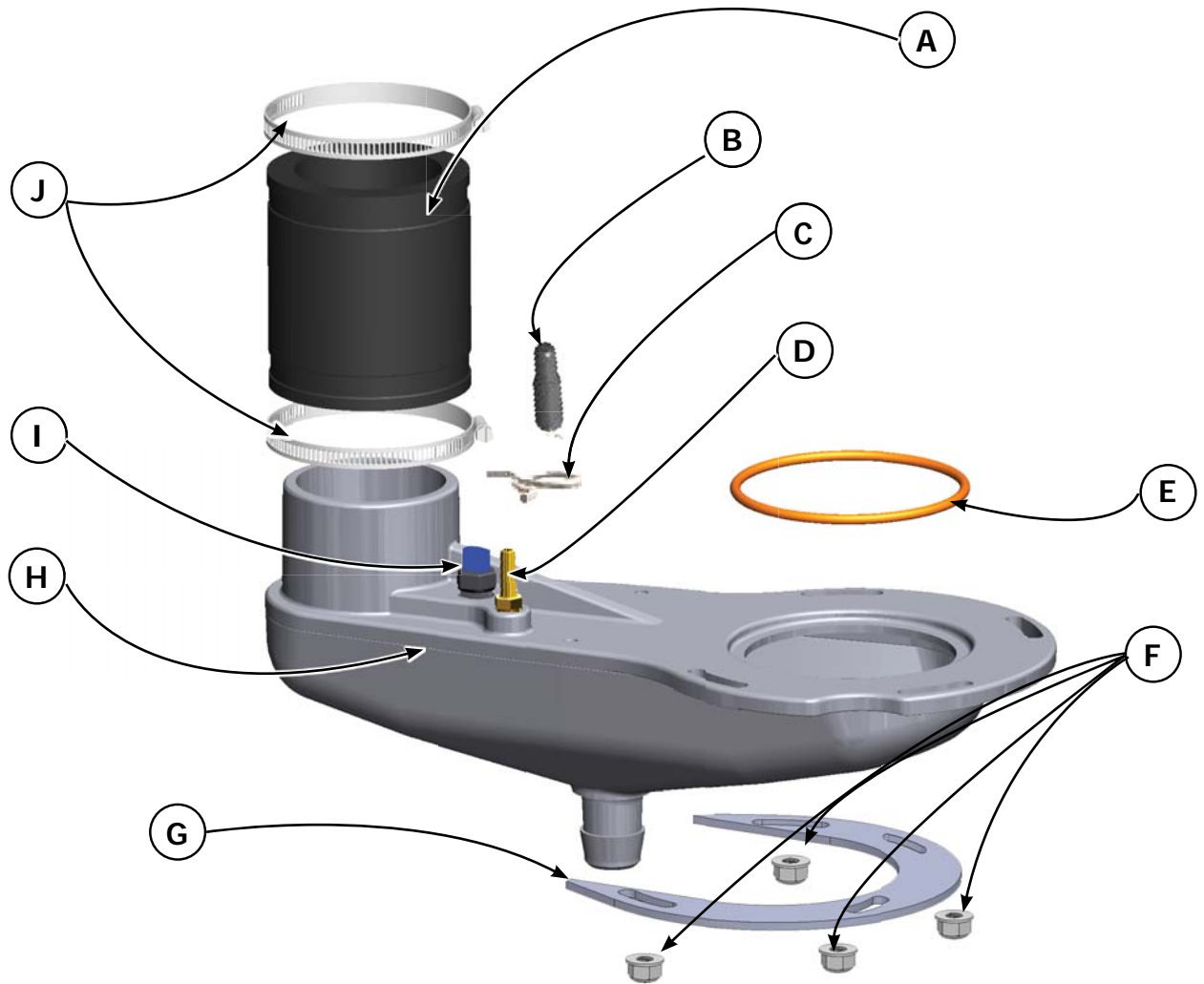
* Not Shown

CONDENSATE TRAP KITS



050/075/100 Condensate Trap Kit # 550002296				
	ITEM	DESCRIPTION	PART #	QTY
Condensate Trap Kit #550002296 includes all items listed	A	Collet Clip, 1-1/8"	240008406	2
	B	Condensate Trap	-	1
	C	Grommet, Heyco 1" ID x 1.75" OD	-	1
	D	Coupling, Barbed 3/4"	-	1
	*	Instructions	240008948	1
150/200 Condensate Trap Kit #550002297				
Condensate Trap Kit #550002297 includes all items listed	A	Collet Clip, 1-1/8"	240008406	2
	B	Condensate Trap	-	1
	C	Grommet, Heyco 1" ID x 1.75" OD	-	1
	D	Coupling, Barbed 3/4"	-	1
	*	Instructions	240008948	1
299 Condensate Trap Kit #550002814				
Condensate Trap Kit #55000xxxx includes all items listed	A	Collet Clip, 1-1/8"	240008406	2
	B	Condensate Trap	-	1
	C	Grommet, Heyco 1" ID x 1.75" OD	-	1
	D	Coupling, Barbed 3/4"	-	1
	*	Instructions	240008948	1
* Not Shown				

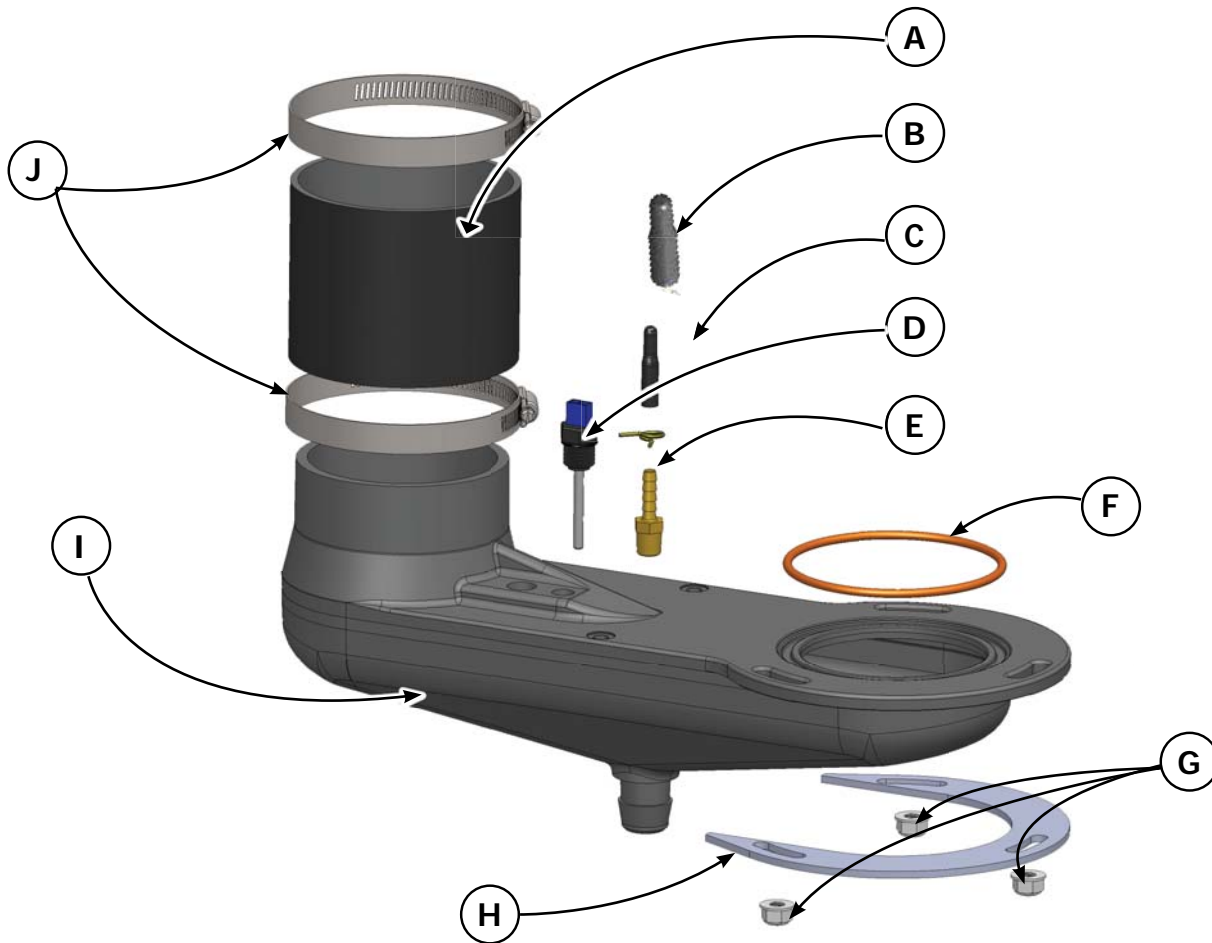
CONDENSATE COLLECTOR KIT 050/075/100



050/075/100 Condensate Collector Kit # 550002294				
	ITEM	DESCRIPTION	PART #	QTY
Condensate Collector Kit #550002294 includes all items listed	A	Flexible Coupling	-	1
	B	Cap black vinyl 3/16"	1230006	1
	C	Clamp, Spring Tension	1110001	1
	D	Hose Barb	1230010	1
	E	Gasket, Condensate Collector	240008261	1
	F	1/4-20 Hex Flange Nut	-	4
	G	Flue Collector Bracket	109008777	1
	H	Condensate Collector Plastic	-	1
	I	Sensor, Vent Temperature	240008227	1
	J	Hose Clamp	-	2
	*	Instructions	240008946	1

* Not Shown

CONDENSATE COLLECTOR KIT 150/200

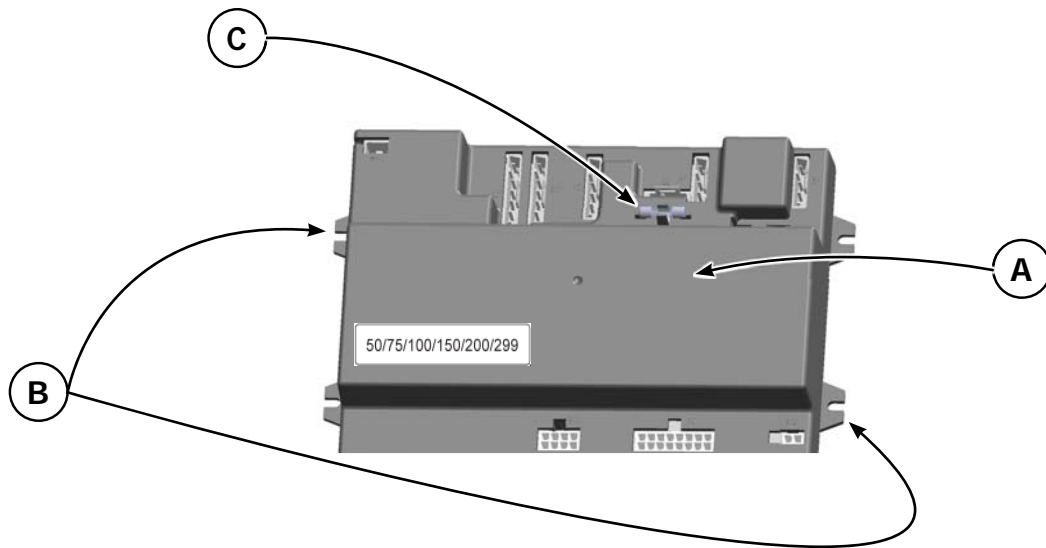


150/200 Condensate Collector Kit # 550002295				
	ITEM	DESCRIPTION	PART #	QTY
Condensate Collector Kit #550002295 includes all items listed	A	Flexible Coupling	-	1
	B	Cap black vinyl 3/16"	1230006	1
	C	Clamp, Spring Tension	1110001	1
	D	Sensor, Vent Temperature	240008227	1
	E	Hose Barb	1230010	1
	F	Gasket, Condensate Collector	240008699	1
	G	1/4-20 Hex Flange Nut	-	3
	H	Flue Collector Bracket	109008776	1
	I	Condensate Collector Plastic	-	1
	J	Hose Clamp	-	2
	*	Instructions	240008946	1

* Not Shown

NOTE: 299 CONDENSATE COLLECTOR SOLD WITH HEAT EXCHANGER (SEE PAGES 4 & 5)

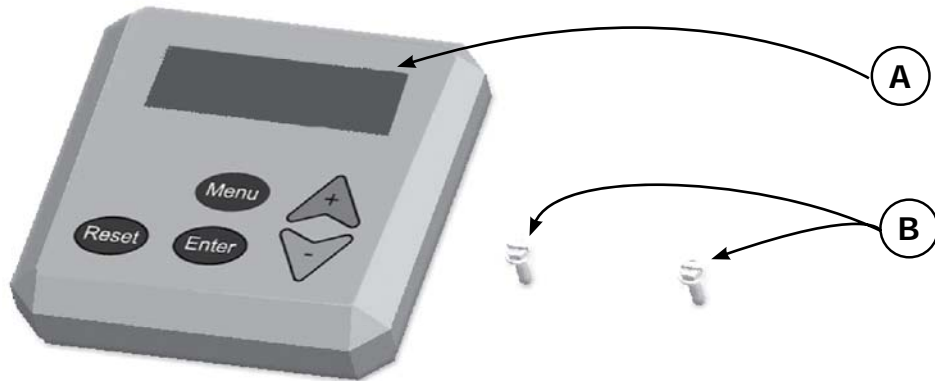
CONTROL MODULE KIT



050/075/100/150/200/299 Control Module Kit # 550002583				
	ITEM	DESCRIPTION	PART #	QTY
Control Board Kit #550002298 includes all items listed	A	Control Module	-	1
	B	Screw, 8-32x3/8, HWH, Slot Self Tapping	-	2
	C	Fuse, 3.15A ac, 250V, Slo-Blo Glass 5x20mm (Additional fuse is included with control module on Boiler)	240008665	1
	*	Instructions	240008950	1
* Not Shown				

NOTE: IF BOILER HAS BEEN CONVERTED TO HIGH ALTITUDE - REPLACE EXISTING CONTROL WITH HIGH ALTITUDE KIT ONLY. SEE PAGE 25.

USER INTERFACE KIT



050/075/100/150/200/299 User Interface Kit # 550002299				
User Interface Kit #550002299 includes all items listed	ITEM	DESCRIPTION	PART #	QTY
	A	User Interface Control	-	1
	B	Screw, 8-32 x 1/2" Type B	-	2
	*	Instructions	240008930	1
* Not Shown				

WIRE HARNESS KITS

050/075/100 Wire Harness Kit #550002301			
	DESCRIPTION	PART #	QTY
Wire Harness Kit #550002301 includes all items listed	Main Boiler 120V Wiring Assembly Harness to High Voltage Terminal Block 50/075/100	-	1
	24V Wire Harness, From Boiler Interface Module to Low Voltage Terminal Block	-	1
	Universal Bushing 7/8"OD, Heyco 2119	-	1
	Screw, 6x3/8, Type B HPH, SZN	-	2
	Screw, 8-32x5/16, Self Tapping, Ground, Green	-	1
	Instructions	240008954	1

150/200 Wire Harness Kit #550002316			
	DESCRIPTION	PART #	QTY
Wire Harness Kit #550002316 includes all items listed	Main Boiler 120V Wiring Assembly Harness to High Voltage Terminal Block 150/200	-	1
	24V Wire Harness, From Boiler Interface Module to Low Voltage Terminal Block	-	1
	Strain Relief on Pump, 1/2 NPT, Hub	-	1
	Screw, 6x3/8, Type B HPH, SZN	-	2
	Screw, 8-32x5/16, Self Tapping, Ground, Green	-	1
	Instructions	240008954	1

299 Wire Harness Kit #550002824			
	DESCRIPTION	PART #	QTY
Wire Harness Kit #550002824 includes all items listed	Main Boiler 120V Wiring Assembly Harness to High Voltage Terminal Block 150/200	-	1
	24V Wire Harness, From Boiler Interface Module to Low Voltage Terminal Block	-	1
	Strain Relief on Pump, 1/2 NPT, Hub	-	1
	Screw, 6x3/8, Type B HPH, SZN	-	2
	Screw, 8-32x5/16, Self Tapping, Ground, Green	-	1
	Instructions	240008954	1

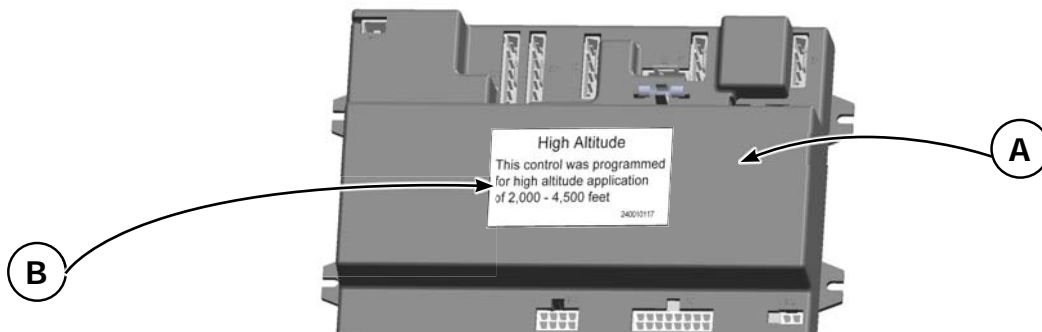
HEAT EXCHANGER SURFACE TEMPERATURE SWITCH KITS

Heat Exchanger Surface Temperature Switch 50/75/100 Kit #550002554			
	DESCRIPTION	PART #	QTY
Wire Harness Kit #550002554 includes all items listed	Temperature Switch Bracket 50/75/100	-	1
	Temperature Switch L300-40F	240009508	1
	Wire Harness, Temperature Switch	-	1
	Instructions	240009568	1
Heat Exchanger Surface Temperature Switch 150/200 Kit #550002555			
Wire Harness Kit #550002555 includes all items listed	Temperature Switch Bracket 150/200	-	1
	Temperature Switch L300-40F	240009508	1
	Wire Harness, Temperature Switch	-	1
	Instructions	240009568	1
Heat Exchanger Surface Temperature Switch 299 Kit #550002820			
Wire Harness Kit #550002820 includes all items listed	Temperature Switch Bracket 299	-	1
	Temperature Switch L300-40F	240009508	1
	Wire Harness, Temperature Switch	-	1
	Instructions	240009568	1

GAS CONVERSION KITS

050 Gas Conversion Kit # 550002303			
Conversion Kit #550002303 includes all items listed	DESCRIPTION	PART #	QTY
	Orifice, LP, 3.8mm	-	1
	Label, "Converted By"	-	2
	Label, "Nat to LP" conversion plate	-	1
	Label, "LP to Nat" conversion plate	-	1
	Instructions	240008957	1
075 Gas Conversion Kit # 550002304			
Conversion Kit #550002304 includes all items listed	DESCRIPTION	PART #	QTY
	Orifice, LP, 3.9mm	-	1
	Label, "Converted By"	-	2
	Label, "Nat to LP" conversion plate	-	1
	Label, "LP to Nat" conversion plate	-	1
	Instructions	240008957	1
100 Gas Conversion Kit # 550002305			
Conversion Kit #550002305 includes all items listed	DESCRIPTION	PART #	QTY
	Orifice, LP, 4.6mm	-	1
	Label, "Converted By"	-	2
	Label, "Nat to LP" conversion plate	-	1
	Label, "LP to Nat" conversion plate	-	1
	Instructions	240008957	1
150 Gas Conversion Kit # 550002306			
Conversion Kit #550002306 includes all items listed	DESCRIPTION	PART #	QTY
	Orifice, LP, 5.4mm	-	1
	Label, "Converted By"	-	2
	Label, "Nat to LP" conversion plate	-	1
	Label, "LP to Nat" conversion plate	-	1
	Instructions	240008957	1
200 Gas Conversion Kit # 550002307			
Conversion Kit #550002307 includes all items listed	DESCRIPTION	PART #	QTY
	Orifice, LP, 5.9mm	-	1
	Label, "Converted By"	-	2
	Label, "Nat to LP" conversion plate	-	1
	Label, "LP to Nat" conversion plate	-	1
	Instructions	240008957	1
299 Gas Conversion Kit # 550002799			
Conversion Kit #550002799 includes all items listed	DESCRIPTION	PART #	QTY
	Orifice, LP, 9.6mm	-	1
	Label, "Converted By"	-	2
	Label, "Nat to LP" conversion plate	-	1
	Label, "LP to Nat" conversion plate	-	1
	Instructions	240008957	1

OPTIONAL ACCESSORIES



*050/075/100/150/299 High Altitude Kit # 550002819				
	ITEM	DESCRIPTION	PART #	QTY
High Altitude Kit #550002819 includes all items listed	A	Control Module - High Altitude 2000 - 4500 ft.	-	1
	B	High Altitude label	-	1
	NOT SHOWN	Instructions, High Altitude	240010113	1












*** Note:** High Altitude Kit is currently only available for 050/075/100/150/299. Kit is not available for 200 MBH model.

Concentric Vent Kits	
DESCRIPTION	PART #
2" Concentric Vent Kit ⁽¹⁾	29570
3" Concentric Vent Kit ⁽²⁾	29571
⁽¹⁾ 2" For use with 050/075/100	
⁽²⁾ 3" For use with 075-299 only	




Multi Boiler Sensor Kit # 550002186			
	DESCRIPTION	PART #	QTY
Multi Boiler Sensor Kit #550002186 includes all items listed	Sensor, 12K, NTC, 6x45MM	240008465	1
	Well, 1/2 NPT Copper/Brass	240008466	1
	Sensor Well Lock Clip	240008467	1
	Instructions, Multi Boiler Sensor	240008959	1

MISC. REPLACEMENT PARTS

Replacement Parts		
	DESCRIPTION	PART #
	Igniter Cable 050/075/100/150/200	240008844
	Ignitor Cable 299	240009888
	Sight Glass	240008235
	Pump, Grundfos UP15-42F (050/075/100)	240008246
	Pump, Grundfos UP26-99 (150/200)	240008701
	Pump, Taco 1/2 HP,	240009836
	Pump, B & G 1/2 HP,	240009971
	Boiler Drain Valve	240009323
	LWCO, Hydrolevel Safeguard 1100 MINI, 24 VAC	240008250
	LWCO, Taco 1100 (299)	240009838
	High Temperature Supply Switch	240008290
	Sensor, Return Water	240008226

Replacement Parts		
	DESCRIPTION	PART #
	Sensor, Flue	240008227
	Clamp, 1-1/8" Spring Tension for Condensate Trap	240008406
	Ball Valve 1/2" Female NPT x 5/8", FLR (Gas Shutoff valve) (050/075)	240008297
	Ball Valve 3/4" Female (Gas Shutoff valve) (299)	14657001
	Safety Relief Valve (30 PSI) Conbraco 10-407-05	VR-001.01
	Air Vent, Watts FV-4M1, 1/4 NPT	240008458
	Wall Bracket Sizes 050/075/100	109008079
	Wall Bracket Sizes 150/200/299	109008347
	Cap Black Vinyl 3/16"	1230006
	Clamp, Spring Tension for Black Vinyl Cap	1110001
	Temperature Switch L300-40F	240009508

MISC. REPLACEMENT PARTS - CONTI.

Replacement Parts		
	DESCRIPTION	PART #
	Sensor, Outdoor	240008225
	Gauge, Temperature Pressure, 2" shank	1260006
	Fuse, 3.15A ac, 250V, Slo-Blo Glass 5x20mm	240008665

QUICK INDEX

KIT NAME	KIT NO.	APPLIED ON MODELS						INSTRUCTION NO.
		50	75	100	150	200	299	
Blower Replacement Kit	550002291	✓	✓	✓				240008943
	550002292				✓			
	550002293					✓		
	550002812						✓	240010105
Burner Replacement Kit	550002276	✓						240008933
	550002277		✓					
	550002278			✓				
	550002279				✓	✓		
	550002809						✓	240010106
Burner Inspection Kit	550002280	✓	✓	✓	✓	✓		240008931
	550002818						✓	240010107
Concentric Vent Kit	29570 (2")	✓	✓	✓				
	29571 (3")	✓	✓	✓	✓	✓	✓	
Condensate Collector Replacement Kit	550002294	✓	✓	✓				240008946
	550002295				✓	✓		
Condensate Trap Replacement Kit	550002296	✓	✓	✓				240008948
	550002297				✓	✓		
	550002814						✓	
Control Module Replacement Kit	550002583	✓	✓	✓	✓	✓	✓	240009314
Flame Sensor Replacement Kit	550002283	✓	✓	✓				240008593
	550002284				✓	✓		
	550002810						✓	
Flexible Gas Line Replacement Kit	550002289	✓	✓	✓				240008941
	550002290				✓	✓		
	550002813						✓	
Gas Valve (Automatic) Replacement Kit	550002329	✓						240008939
	550002285		✓					
	550002286			✓				
	550002287				✓			
	550002288					✓		
	550002811						✓	240010104
Heat Exchanger Surface Temperature Switch Kit	550002554	✓	✓	✓				240009568
	550002555				✓	✓		
	550002820						✓	

QUICK INDEX - CONTI.

KIT NAME	KIT NO.	APPLIED ON MODELS						INSTRUCTION NO.
		50	75	100	150	200	299	
Heat Exchanger Replacement Kit	550002271	✓						240008928
	550002272		✓					
	550002273			✓				
	550002274				✓			
	550002275					✓		
	550002808						✓	
High Altitude Kit	550002819	✓	✓	✓	✓		✓	240010113
Igniter Replacement Kit	550002190	✓	✓	✓				240008592
	550002282				✓	✓	✓	
Lower Jacket Replacement Kit	550002313	✓	✓	✓				N/A
	550002314				✓	✓		
	550002823						✓	
LP Gas Conversion Kit	550002303	✓						240008957
	550002304		✓					
	550002305			✓				
	550002306				✓			
	550002307					✓		
	550002799						✓	
Multi Boiler Sensor Kit	550002186	✓	✓	✓	✓	✓	✓	240008959
Upper Jacket Replacement Kit	550002309	✓	✓	✓				N/A
	550002310				✓	✓		
	550002822						✓	
User Interface Replacement Kit	550002299	✓	✓	✓	✓	✓	✓	240008930
Wire Harness Replacement Kit	550002301	✓	✓	✓				240008954
	550002316				✓	✓		
	550002824						✓	



An ISO 9001-2008 Certified Company

ECR International, Inc.

2201 Dwyer Ave

Utica, NY 13501

www.ecrinternational.com