



Models
WPSB-3D
WPSB-3DP
WPSB-4D
WPSB-4DP
WPSB-5D
WPSB-5DP
WPSB-6D
WPSB-6DP
WPSB-7D
WPSB-7DP
WPSB-8D
WPSB-8DP
WPSB-9D
WPSB-9DP

WPSB SERIES II

GAS-FIRED HOT WATER BOILERS

PARTS, KITS AND OPTIONAL ACCESSORIES

Ordering Instructions

Order Parts through your nearest supplier.

When ordering parts, obtain Model Number and Serial Number from data plate on your boiler.

Include following information when ordering.

Part Number _____

Part Description _____

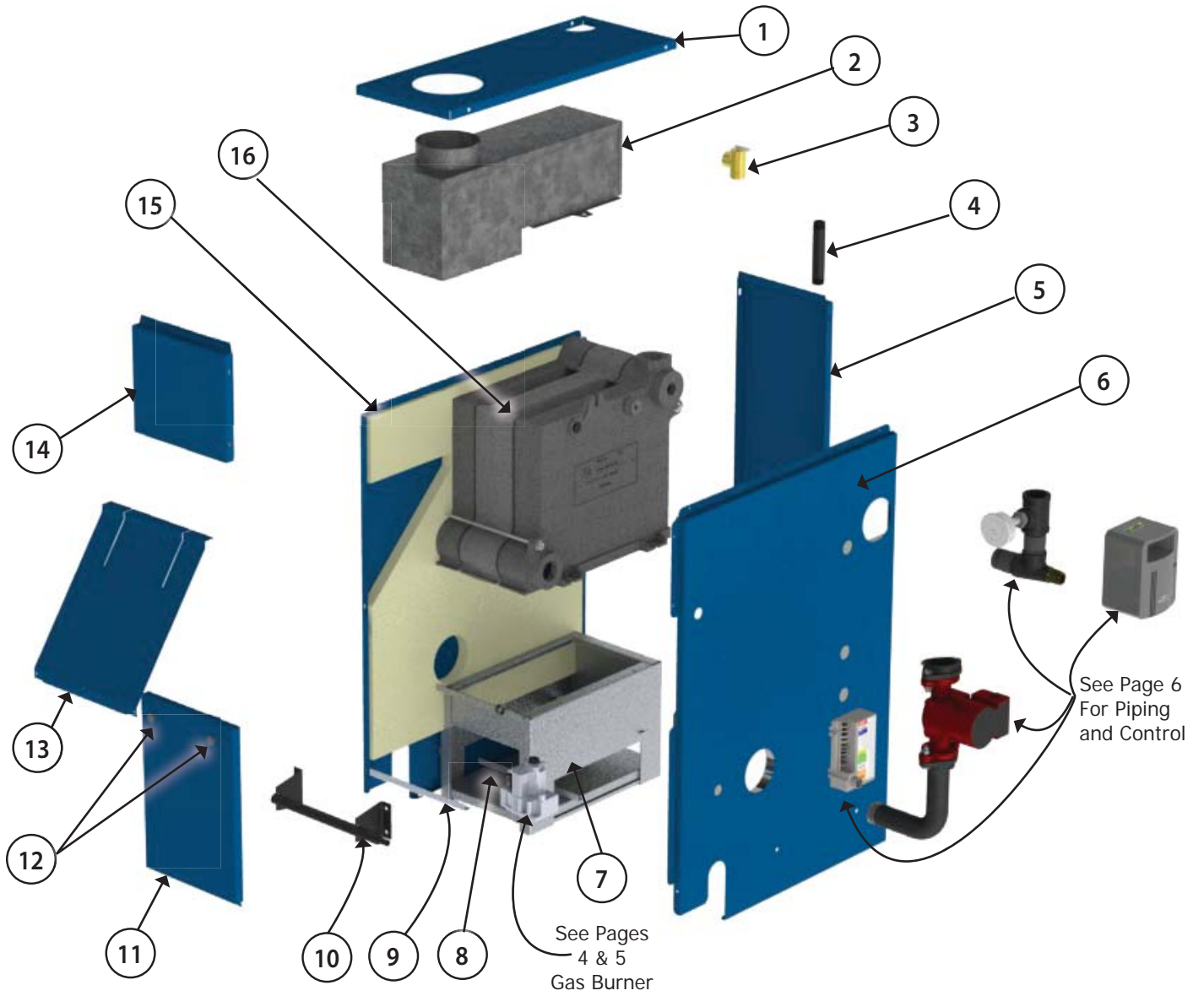
Boiler Model Number _____

Boiler Serial Number _____



Manufactured by:
ECR International, Inc.
2201 Dwyer Avenue, Utica NY 13501
web site: www.ecrinternational.com

P/N 240009048, Rev. B [08/2012]



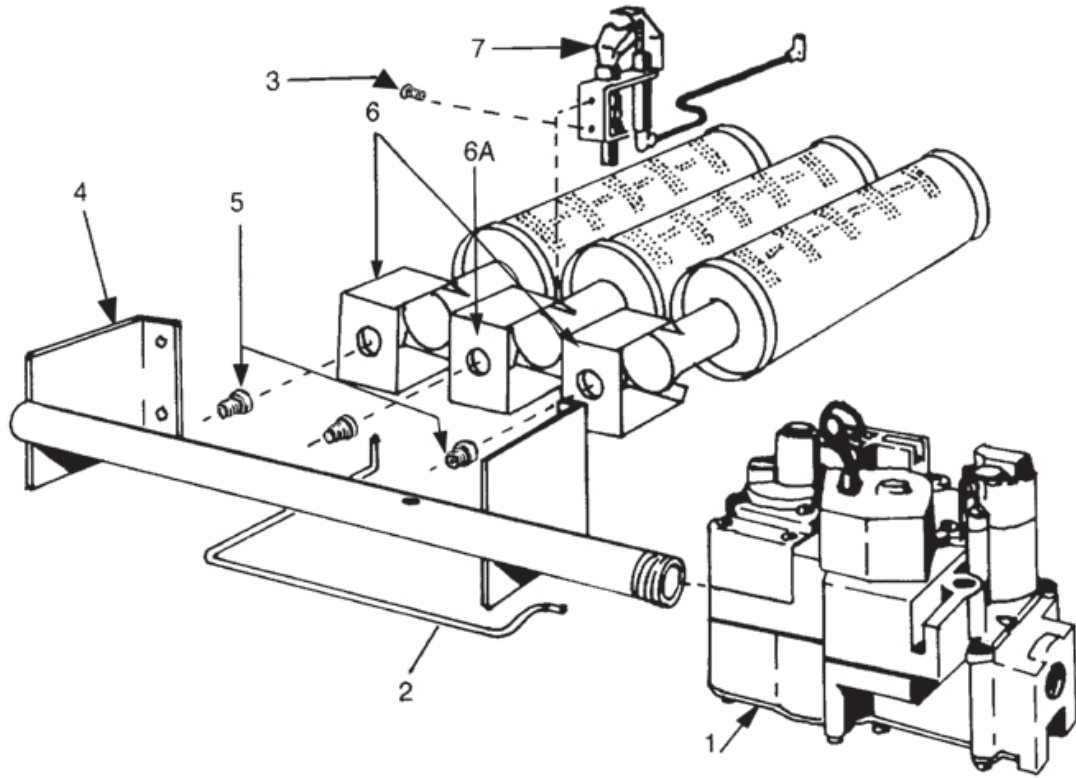
REPAIR PARTS

JACKET ASSEMBLY

KEY NO.	DESCRIPTION	3	4	5	6	7	8	9
		SECTION	SECTION	SECTION	SECTION	SECTION	SECTION	SECTION
		Part No.	Part No.	Part No.	Part No.	Part No.	Part No.	Part No.
‡	Jacket Assy Complete	42500873	42500874	42500875	42500876	42500877	42500878	42500879
1	Jacket, Top Panel	42500843	42500844	42500845	42500846	42500847	42500848	42500849
2	Draft Diverter	42500673	42500674	42500675	42500676	42500677	42500678	42500679
3	Safety Relief Valve	14622011						
4	¾" x 6½" Adapter	14607002						
5	Jacket, Back Panel	42500833	42500834	42500835	42500836	42500837	42500838	42500839
6	Jacket, Right Side Panel	42500802	42500802	42500802	42500802	42500802	42500802	42500802
7a	Base	42500663	42500664	42500665	42500666	42500667	42500668	42500669
7b	Base Insulation							
	- Base Sides (2)	14614130	14614130	14614130	14614130	14614130	14614130	14614130
	- Base Front	14614113	14614114	14614115	14614116	14614117	14614118	14614119
	- Base Rear	14614123	14614124	14614125	14614126	14614127	14614128	14614129
8	Base Baffle	42500643	42500644	42500645	42500646	42500647	42500648	42500649
9	Jacket Tie Bar	42500653	42500654	42500655	42500656	42500657	42500658	42500659
10	Gas Manifold	See Pages 4 & 5						
11	Jacket, Diverter Panel	42500813	42500814	42500815	42500816	42500817	42500818	42500819
12	Knob, Service Door (Pair)	13702513	13702513	13702513	13702513	13702513	13702513	13702513
13	Jacket, Diverter	42500823	42500824	42500825	42500826	42500827	42500828	42500829
14	Jacket, Front Panel	42500811	42500804	42500805	42500806	42500807	42500808	42500809
15	Jacket, Left Side Panel	42500801	42500801	42500801	42500801	42500801	42500801	42500801
16	Block Assembly (19, 16, 15, 14, 8)	41000331	41000431	41000531	41000631	41000731	41000831	41000931
‡	Combustible Floor Plate	14614031	14614031	14614031	14614031	14614032	14614032	14614032
‡	Cerafelt Gasket	14614018	14614018	14614018	14614018	14614018	14614018	14614018
‡	Vent Damper	240006937	240006938	240006938	240006939	240006939	240006939	240006939
‡	Base Assembly Includes 7a, 7b & 8	43300663	43300664	43300665	43300666	43300667	43300668	43300669

‡ Not illustrated

FOR USE WITH NATURAL GAS ONLY



NOTE: Actual gas valve may look different than gas valve shown

NATURAL GAS BURNER & MANIFOLD PARTS								
<i>This is a repair parts list – NOT a packing list!</i>								
KEY NO.	DESCRIPTION	3 Section	4 Section	5 Section	6 Section	7 Section	8 Section	9 Section
1	Gas Valve, Natural Gas	14662052	14662052	14662052	14662058	14662058	14662058	14662058
2	Pilot Tube	14615005	14615005	14615005	14615005	14615005	14615006	14615006
3	10-32 x 3/16" Slotted Hex Head Screws	14695301	14695301	14695301	14695301	14695301	14695301	14695301
4	Gas Manifold	14616033	14616034	14616035	14616013	14616014	14616015	14616016
5	Main Burner Orifice*	14615031	14615031	14615031	14615035	14615035	14615035	14615035
6	Main Burner Regular**	14615532	14615532	14615532	14615532	14615532	14615532	14615532
6A	Main Burner, Pilot Mount	14615531	14615531	14615531	14615531	14615531	14615531	14615531
7	Pilot	14662092	14662092	14662092	14662092	14662092	14662092	14662092
‡	Rollout Shield	42500933	42500934	42500935	42500936	42500937	42500938	42500939

*Requires 1 less than the number of sections.

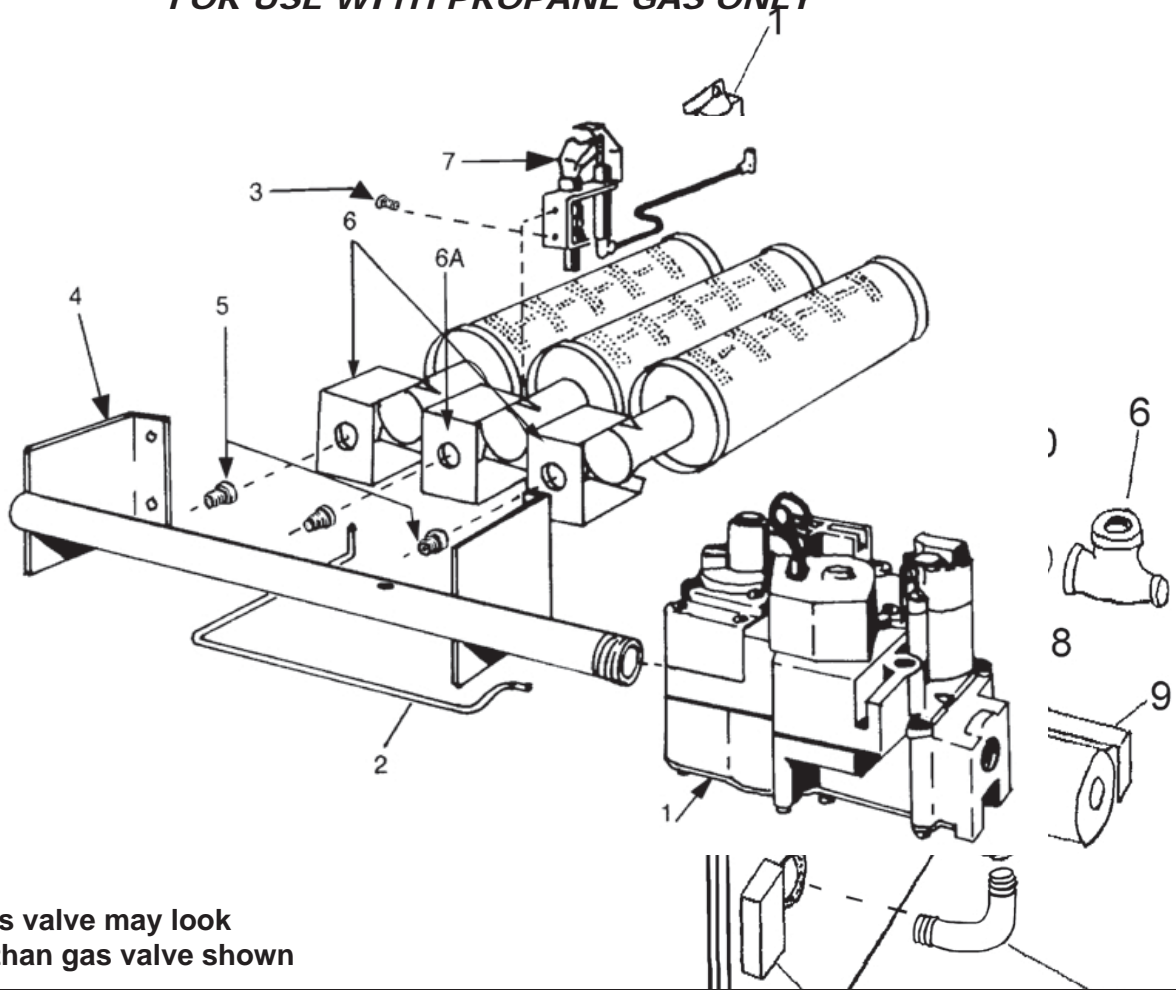
**Requires 2 less than the number of sections.

‡ Not illustrated.

Quantity is 1 unless otherwise noted.

REPAIR PARTS

FOR USE WITH PROPANE GAS ONLY



NOTE: Actual gas valve may look different than gas valve shown

PROPANE GAS BURNER & MANIFOLD PARTS								
<i>This is a repair parts list – NOT a packing list!</i>								
KEY NO.	DESCRIPTION	3 Section	4 Section	5 Section	6 Section	7 Section	8 Section	9 Section
		Electronic Intermittent Ignition (Shown)						
1	Gas Valve, LP	14662062	14662062	14662062	240008809	240008809	240008809	240008809
2	Pilot Tube	14615005	14615005	14615005	14615005	14615005	14615006	14615006
3	10-32 x 3/16" Slotted Hex Head Screws	14695301	14695301	14695301	14695301	14695301	14695301	14695301
4	Gas Manifold	14616033	14616034	14616012	14616013	14616014	14616015	14616016
5	Main Burner Orifice*	14615036	14615036	14615036	14615036	14615036	14615036	14615036
6	Main Burner Regular**	14615532	14615532	14615532	14615532	14615532	14615532	14615532
6A	Main Burner, Pilot Mount	14615531	14615531	14615531	14615531	14615531	14615531	14615531
7	Pilot Burner (includes)***	14662092						
		PB00208						
		14662087						
‡	Rollout Shield	42500933	42500934	42500935	42500936	42500937	42500938	42500939

* Requires 1 less than the number of sections.

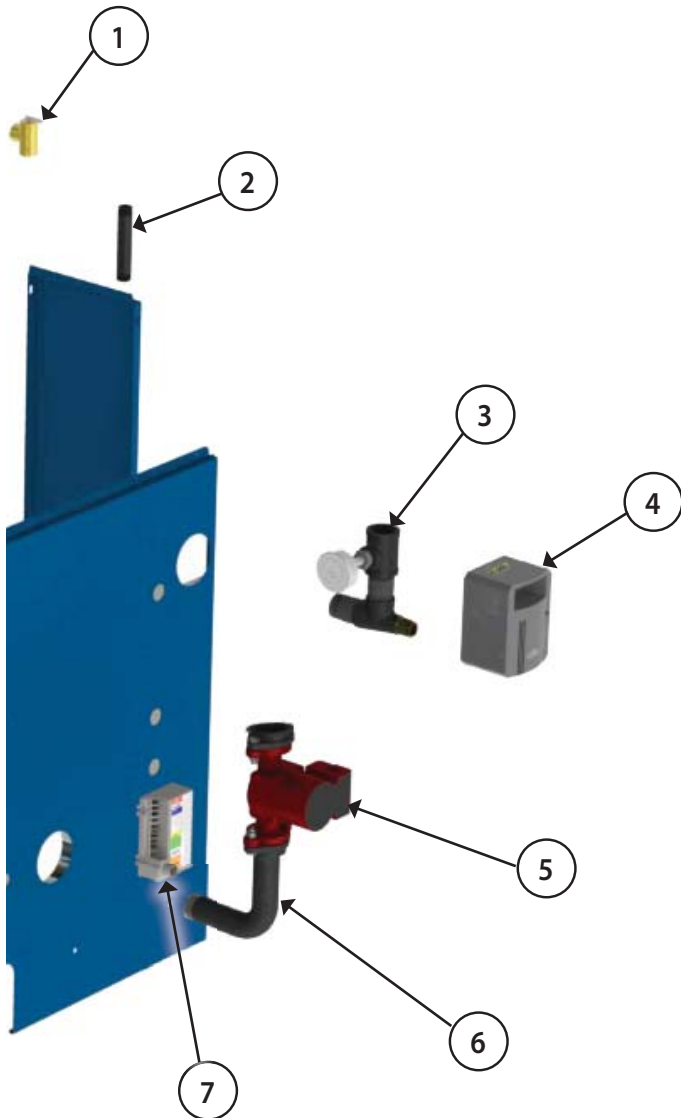
**Requires 2 less than the number of sections.

‡ Not illustrated.

Quantity is 1 unless otherwise noted.

*** Pilot shipped natural gas only orifice and fitting required for LP conversion

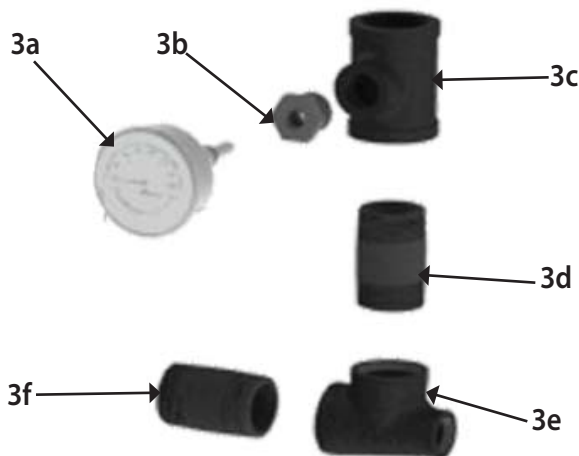
BOILER CONTROLS AND PIPING



Key No.	Description	Part No.	
1	3/4" ASME Relief Valve	14622011	
2	3/4" x 6 1/2" Nipple	14607002	
3	3a	Temperature Pressure Gauge - 2" shank	1260006SP
	3b	Bushing, 3/4" x 1/4", Black Iron	1060002
	3c	Tee, 1 1/4" x 1 1/4" x 3/4", Black Iron	PF05901
	3d	Adapter, 1 1/4" x 2 1/2", Black Iron	14607044
	3e	1 1/4" x 3/4" x 1 1/4" Tee	1510001
	3f	1 1/4" x 2 1/2" Nipple	14607044
4	Hydrolevel Control	240009113	
5	Grundfos Pump UP15-42F Circulator	CI006.01	
	Taco Pump 007	CI-001.03	
6	1 1/4" Bent Return Adapter	14607003	
7	Intermittent Pilot Control	14662070	
‡	Sensor Clip	240008013	
‡	Sensor Well	240007709	
‡	Blocked Vent Safety Switch (36TX16-6282) 280°F	1500009	
‡	Rollout Switch	14629002	
‡	5" Vent Damper	240006937	
‡	6" Vent Damper	240006938	
‡	7" Vent Damper	240006939	
‡	2 1/2" x 1 1/4" Bushing (2 Required)	14693008	
‡	2 1/2" Plug	14693024	
‡	2 1/2" x 3/4" Bushing	14693083	
‡	1/2" Plug (3 Required)	1395003	
‡	400°F Black Silicone Rubber Adhesive Sealant (10.3 oz. Cartridge)	14606020	

‡ Not illustrated

Temperature Pressure Gauge Assembly



REPAIR PARTS**MISCELLANEOUS PARTS**

DESCRIPTION	PART NUMBER	QTY
Circulator Harness	37519501	1
Damper Harness, 60"	240005480	1
Wire Harness, Rollout/Blocked Vent Safety Switch	37513301	2
Wire Harness, Gas Valve	43300942	1
Strain Relief Connector	EF-016.01	1
Wire Clamp	EF03601	1
Bushing, 7/8 to 3/4	206000023	1
Strain Relief Bushing	14634032	2
Screw, 10 x 12	14695074	2



DUNKIRK BOILERS

2201 Dwyer Avenue, Utica NY 13501
web site: www.ecrinternational.com