



Models

Q90-50

Q90-75

Q90-100

Q90-100 Series 2

GAS-FIRED, DIRECT VENT,
CONDENSING, HOT WATER BOILER

PARTS, KITS AND OPTIONAL ACCESSORIES

Ordering Instructions

Order Parts through your nearest supplier.

When ordering parts, obtain Model Number and Serial Number from data plate on your boiler.

Include following information when ordering.

Part Number _____

Part Description _____

Boiler Model Number _____

Boiler Serial Number _____



An ISO 9001-2008 Certified Company

Manufactured by:

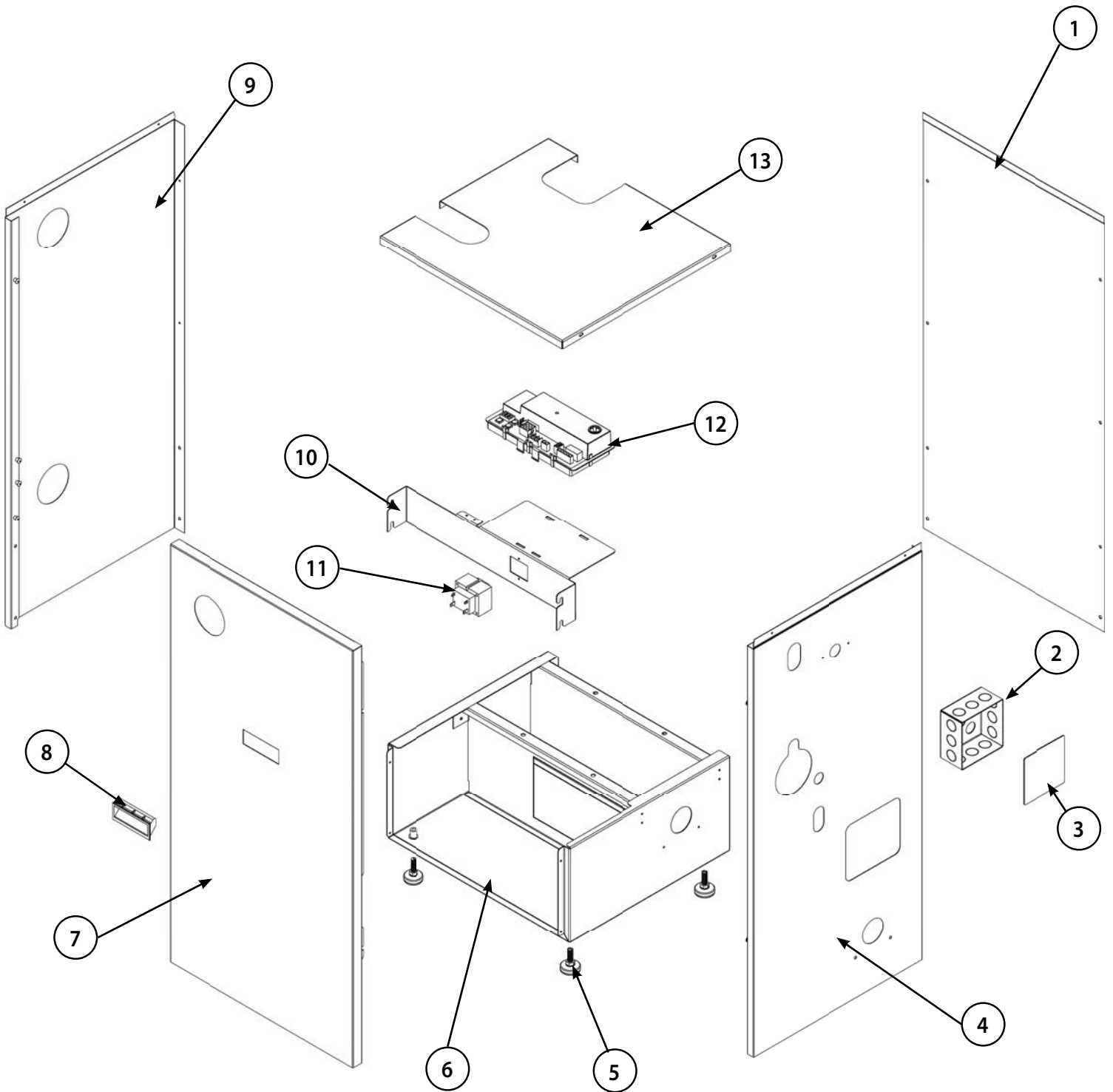
ECR International, Inc.

2201 Dwyer Avenue, Utica NY 13501

web site: www.ecrinternational.com

P/N# 240009426 Rev. A [07/2012]

Jacket and Base Assembly



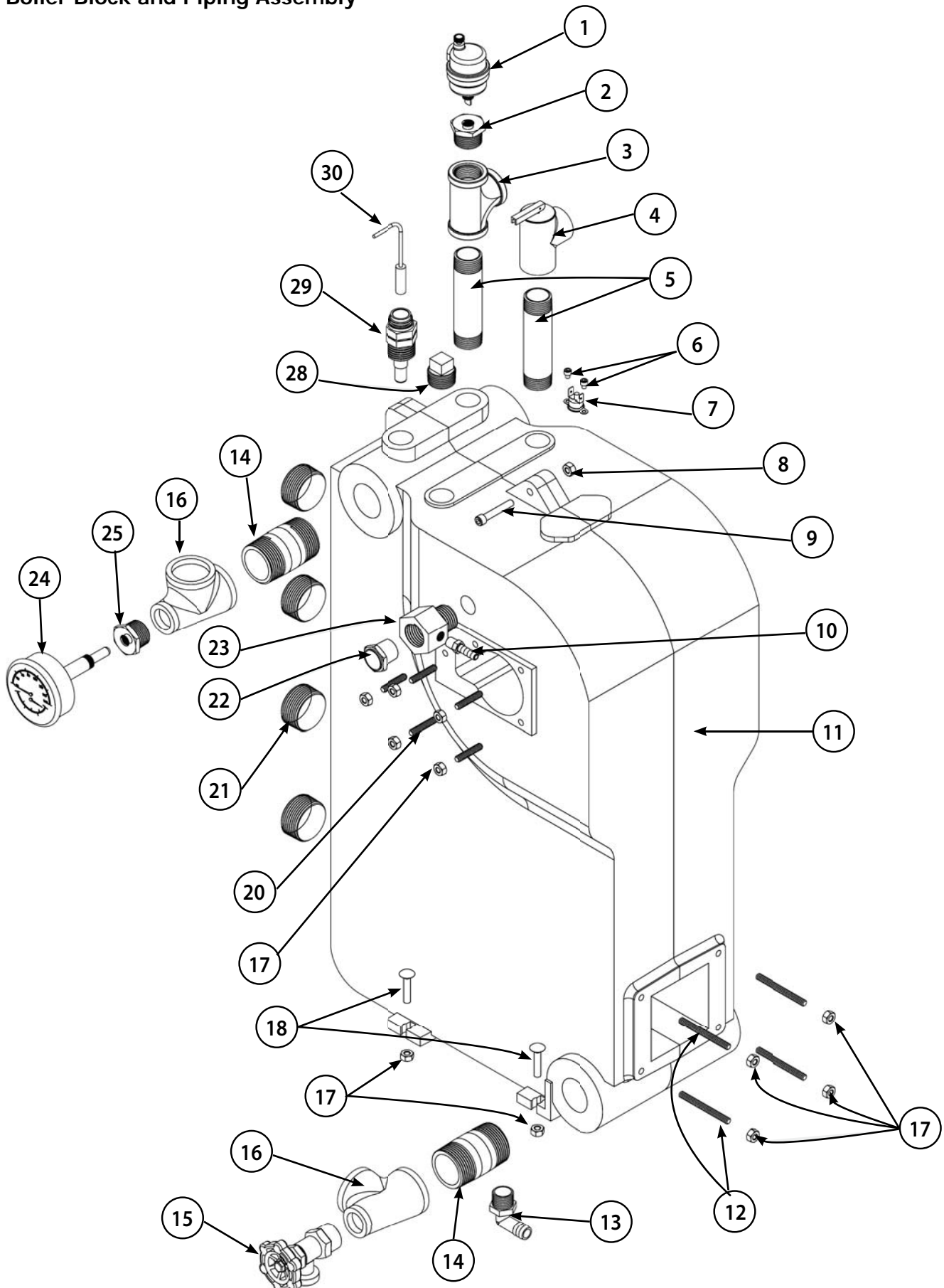
REPAIR PARTS

Jacket And Base Assembly

KEY #	DESCRIPTION	QUANTITY	ITEM NUMBER
1	BACK PANEL	1	109008720AC
2	RACO 232 4x4x2½ BOX	1	14631316
3	COVER PLATE BLANK 4" SQUARE	1	212000009
4	RIGHT PANEL	1	109008718AC
5	CO-2366 GLIDE	4	14631091
6	REPLACEMENT BASE ASSEMBLY (Includes item 5)	1	550002650
7	DOOR PULL	1	28673
8	FRONT PANEL	1	109008717AC
9	LEFT PANEL	1	109008719AC
10	CONTROL PANEL	1	109008721
11	120VAC/24VAC 40VA TRANSFORMER	1	240005330
12	S9381A INTEGRATED BOILER CONTROL	1	240009282
13	TOP PANEL	1	109008732AC
‡	TACO CIRCULATING PUMP	1	CI-001.03
‡	GRUNDFOS CIRCULATING PUMP	1	C1-006.01
‡	CIRCULATING PUMP HARNESS	1	43300826
‡	JACKET COMPLETE (Includes 1, 4, 8, 9, 13)	----	550002588
‡	3" CONCENTRIC VENT KIT	1	29571
‡	2" CONCENTRIC VENT KIT	1	29570

‡ - Not Shown

Boiler Block and Piping Assembly



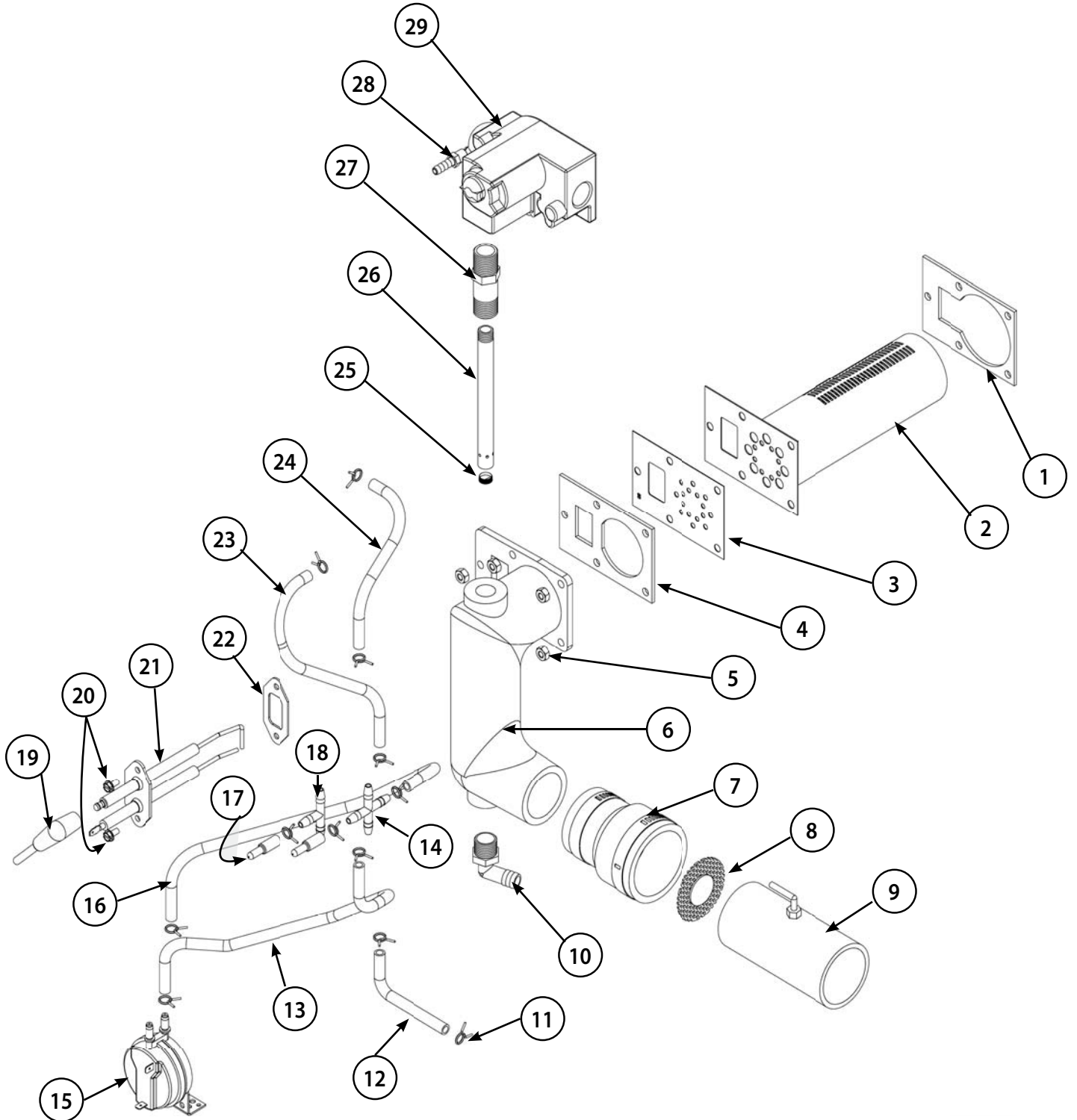
REPAIR PARTS

Boiler Block and Piping Assembly

	KEY #	ITEM NUMBER	DESCRIPTION	QTY	
550002627 INCLUDES ITEMS LISTED HERE	11	550002627	KIT BLOCK REPL Q90-100 SERIES 2	1	
	5	14607201	NPL,3/4X4½,BI,STD	2	
	6	14695802	SCR,8-32 X 3/16,RH,ALH,CAP	2	
	7	14631000	SWITCH CASTING TEMP Q90 36T26-42930 300	1	
	10	14631005	FITTING, 125HBL-4-2 ¹ / ₈ " X 1/4" BR.B+	1	
	12	240009021	STUD, THREADED, 1/4-20 X 2-1/4	4	
	13	240009285	ELB,TBE, ½"NPT X 5/8" ID,HB, 62044	1	
	14	14607044	NPL,1-1/4X2-1/2,BI,STD	2	
	16	1510001	TEE,RDCR,1-1/4" X 3/4" X 1-1/4"	2	
	17	14695810	NUT, 1/4-20, HWS	13	
	18	14695040	BOLT, 1/4-20 X 1-1/4", CARRIAGE	4	
	20	14695805	STUD, THREADED, 1/4-20 X 1 1/4"	5	
	22	14619002	OBSERVATION GLASS, 3/4"	1	
	23	14631004	ADAPTER, SIGHT GLASS	1	
	**	240009284	EXHAUST SPACER BUSHING 1/4X3/8X7/8 LONG	4	
	**	240009583	GASKET, EXHAUST SPACER	4	
	**	1250010	GASKET IGNITER	1	
	**	14631023	GASKET BURNER	1	
	**	14631025	GASKET MIXER	1	
	**	14695809	SCREW, 10-32 X 3/8"	2	
	--- * NOTE: #8, 9, 21, AND 28 INSTALLED IN HEAT EXCHANGER ---				
		8*	14695810	NUT, 1/4-20,HWS	5
		9*	14695801	SCR, 1/4-20 X 1-1/2",RH,ALH,CAP	5
		21*	1395002	1-1/4 HEX SOCKET PLUG	8
		28*	1395001	3/4" SQ HD PLUG	1
		1	1580006	VENT AIR PURGE Q SERIES	1
		2	14693001	BSHG, 3/4" X 1/8",BLK	1
		3	14693076	TEE,BLK, 3/4"	1
	4	14622011	VLV,RLF,ASME,30PSI,3/4,10-408-05	1	
	15	240009323	VLV,DRN,3/4,	1	
	24	1260006	GAUGE,TEMP/PRESS,2" SHANK	1	
	25	1060002	BUSHING, 3/4" x 1/4" BLK	1	
	29	240009283	WELL, SHORT, 1½" INSRT, HL, 48-205	1	
	30	240009339	SENSOR, HIGH LIMIT, 24" HW, 50001465-003	1	

** Not Shown

Mixer and Air Pressure Switch Assembly



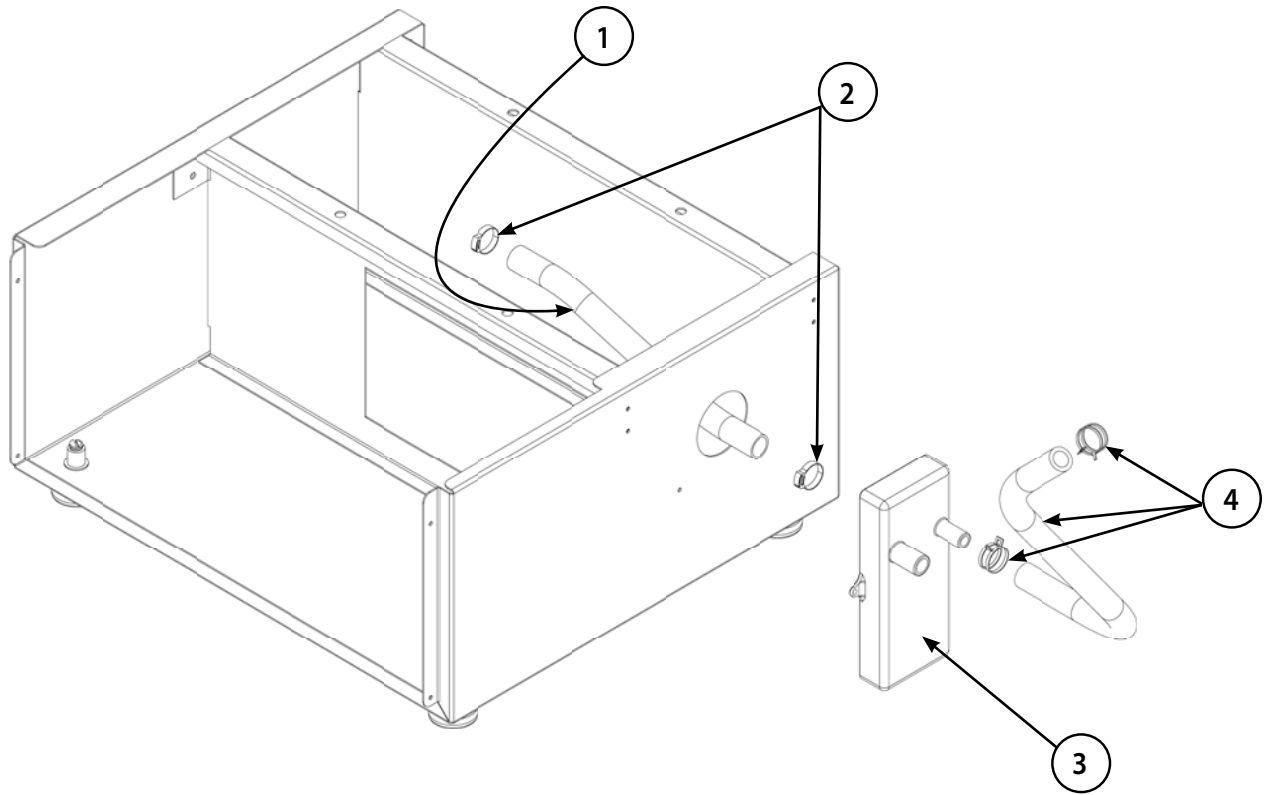
REPAIR PARTS

Mixer and Air Pressure Switch Assembly

KEY #	DESCRIPTION	QUANTITY	ITEM NUMBER
1	BURNER GASKET	1	14631023
2	BURNER KIT, 90-50/75/100 S2 NAT/LP, 0'-10,000' (Contains: 1, 2, 4,)	1	550002632
3	Restrictor Plate 90-50 S1/S2	1	109006405
	Restrictor Plate 90-75 S1/S2	1	109006406
4	MIXER GASKET	1	14631025
5	¼"-20 HEX NUT W/SERRATED WASHER HEAD	5	14695810
6	MIXER CASTING MACHINED	1	12101008
7	2" x 1½" FLEXIBLE COUPLING	1	14631311
8	90-100 S1/S2 AIR BAFFLE 0.50" DISC	1	42531100
	90-75 S2 AIR BAFFLE 1.17" DISC	1	109008915
	90-50 S2 AIR BAFFLE 1.55" DISC	1	109008916
9	AIR INLET	1	43800007
10	62043 ½" NPT ½" ID TUBE ELBOW	1	14631103
11	3/8" HOSE CLAMP HC-6ST	12	14631143
12	59006 1/4" ID X 3/8" OD VINYL TUBING	AS REQUIRED	14631033
13	1/4" ID 3/8" OD VINYL TUBING (RED)	AS REQUIRED	14631314
14	¼" ID TUBE 4-WAY CONNECTOR	1	14631313
15	90-100 S1/S2 AIR PRESSURE SWITCH 1.00"	1	14631312
	90-75 S2 AIR PRESSURE SWITCH 1.60"	1	240009612
	90-50 S2 AIR PRESSURE SWITCH 2.10"	1	240009613
16	59006 1/4" ID X 3/8" OD VINYL TUBING	AS REQUIRED	14631033
17	PC250-12 VINYL CAP	2	14631151
18	62064 ¼" ID TUBE TEE	1	14631104
19	IGNITION CABLE	1	240009290
20	10-32"x 3/8" MACHINE SCREW	2	14695809
21*	DIRECT SPARK IGNITER KIT (FOR 50/75/100 SERIES 2)	1	550002633
22	IGNITER GASKET	1	1250010
23	59006 1/4" ID X 3/8" OD VINYL TUBING	AS REQUIRED	14631033
24	3/16" ID SILICONE TUBING	AS REQUIRED	1552014
25	1/8" NPT BRASS PLUG - 3/16" HEX SOCKET	1	14693805
26**	GAS ORIFICE NATURAL, 100N (0.0860, #44) 0-10,000'	1	43331090
	GAS ORIFICE NATURAL, 75N (0.0760, #48) 0-10,000'	1	43331092
	GAS ORIFICE NATURAL, 50N (0.0615) 0-10,000'	1	43331094
	GAS ORIFICE PROPANE, 75P (0.0531) 5,000-10,000'	1	43331096
	GAS ORIFICE PROPANE, 75P (0.0605) 0-5,000'	1	43331093
	GAS ORIFICE PROPANE, 50P (0.0492) 0-10,000'	1	43331095
27	BUSHING WITH HEX, Q90 SERIES 2 MIXER	1	240009289
28	5/16-24 1/4 HOSE ID BRASS BARB FITTING	1	14631308
29	HONEYWELL GAS VALVE VR8205 (INCLUDES ITEM 28)	1	14631307
-	Natural to PROPANE Conversion Kit, 90-50 S2, 0'-10,000'	1	550002631
-	Natural to PROPANE Conversion Kit, 90-75 S2, 0'-5,000'	1	550002630
-	Natural to PROPANE Conversion Kit, 90-75 S2,, 5,000'-10,000'	1	550002629
-	Propane to NATURAL Conversion Kit, 90-50 S2, 0-10,000'	1	550002635
-	Propane to NATURAL Conversion Kit, 90-75 S2, 0-10,000'	1	550002634

* - Includes item numbers 20, 21 & 22. ** - Includes item number 25

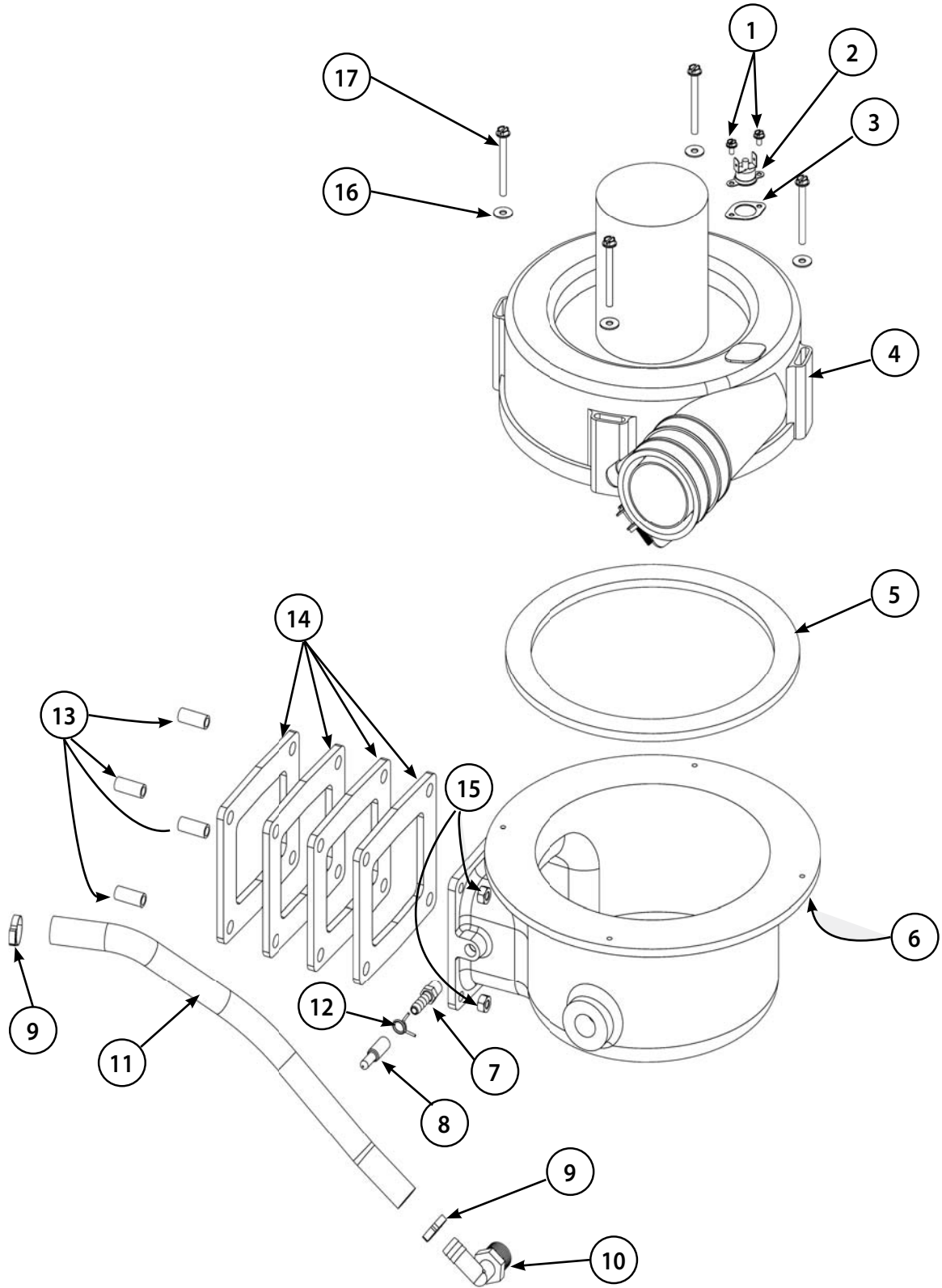
Condensate Drain Trap Assembly



Condensate Drain Trap Assembly

KEY #	DESCRIPTION	QUANTITY	ITEM NUMBER
1	59020 TUBE, VINYL, 5/8" ID x 13/16" OD	9.5"	240009291
2	57134 3/4" SNAP GRIP CLAMP	2	14631141
3	CONDENSATE TRAP ASSEMBLY	1	240009287
4	TUBE 1/2" ID EPDM60 WITH CLAMPS	1	240006662

Flue Adapter and Exhaust Assembly



REPAIR PARTS

Flue Adapter and Exhaust Assembly

	KEY #	DESCRIPTION	QUANTITY	ITEM NUMBER
Kit 550002628 Includes		INDUCED DRAFT BLOWER KIT [INCLUDES items 1,2,3,4,5,16,17]	1	550002628
	1	SCREW, 6 X 1/4, SLT, HH	2	HW06501
	2	36T X 11-22491 INDUCER TEMP SAFETY SWITCH	1	14631303
	3	VENT SWITCH GASKET	1	14631028
	4	FLUE GAS BLOWER WITH VENT PIPE CONNECTOR	1	240009288
	5	BLOWER GASKET	1	14631026
	16	WASHER, #10 X 1/2" OD	4	240006203
	17	SCREW, 10-24X3" SLT HWH SZN	4	240007745
	6	FLUE ADAPTER	1	12101021
	7*	1/8" NPT 1/4" HOSE ID BRASS BARB FITTING	1	14631005
	8	PC250-12 VINYL CAP	1	14631151
	9	57134 3/4" SNAP GRIP CLAMP	2	14631141
	10	62043 1/2" NPT' x 1/2" ID TUBE ELBOW	1	14631103
	11	59019 1/2" ID' x 1/8" THK VINYL TUBE	22"	14631035
	12	3/8" HOSE CLAMP HC-6ST	1	14631143
	13	EXHAUST SPACER BUSHING 1/4 ID X 3/8 OD X 7/8 LONG	4	240009284
	14	GASKET, EXHAUST SPACER	4	240008593
	15	1/4"-20 HEX NUT W/SERRATED WASHER HEAD	4	14695810
	**	VENT PIPE 2" CPVC SCH-40 X 29 1/2" LONG S636	2	240006820
	**	VENT PIPE COUPLING 2" CPVC SCH-80 S636	1	240006822
	**	VENT PIPE ELBOW 2" CPBC SCH 40 S636	1	240009663
	**	VENT PIPE 2" CPVC SCH-40 X 2 1/2" LONG S636	1	240006821

* - Combustion Test Port

** - Not shown



DUNKIRK BOILERS
2201 Dwyer Avenue, Utica NY 13501
web site: www.ecrinternational.com