



# EXCELSIOR

High Efficiency  
Oil Fired Hot Water Boiler

## REPAIR PARTS & OPTIONAL KITS

### Ordering Instructions

Order Parts through your nearest supplier.

When ordering parts, obtain Model Number and Serial Number from data plate on your boiler.

Include following information when ordering.

Part Number \_\_\_\_\_

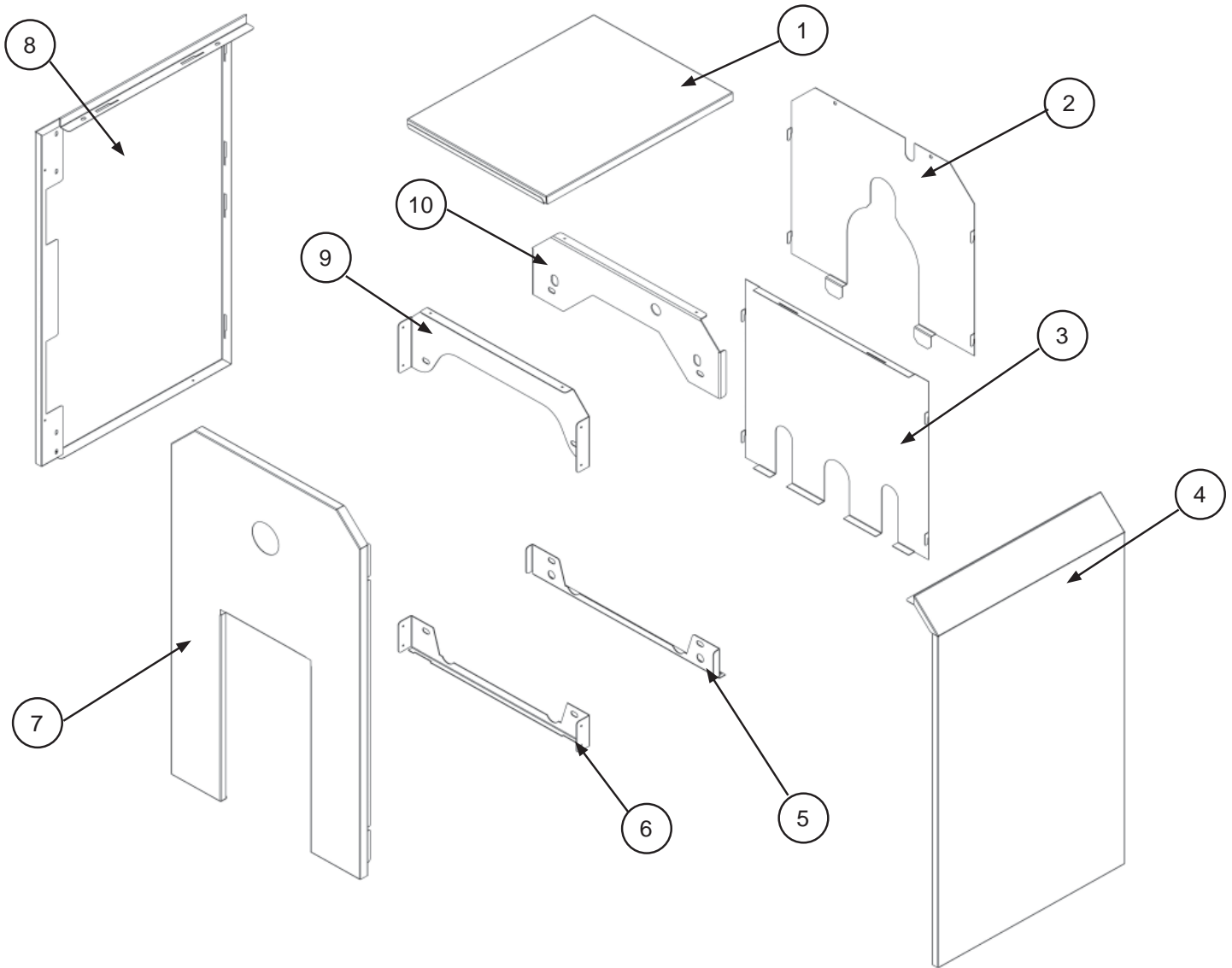
Part Description \_\_\_\_\_

Boiler Model Number \_\_\_\_\_

Boiler Serial Number \_\_\_\_\_

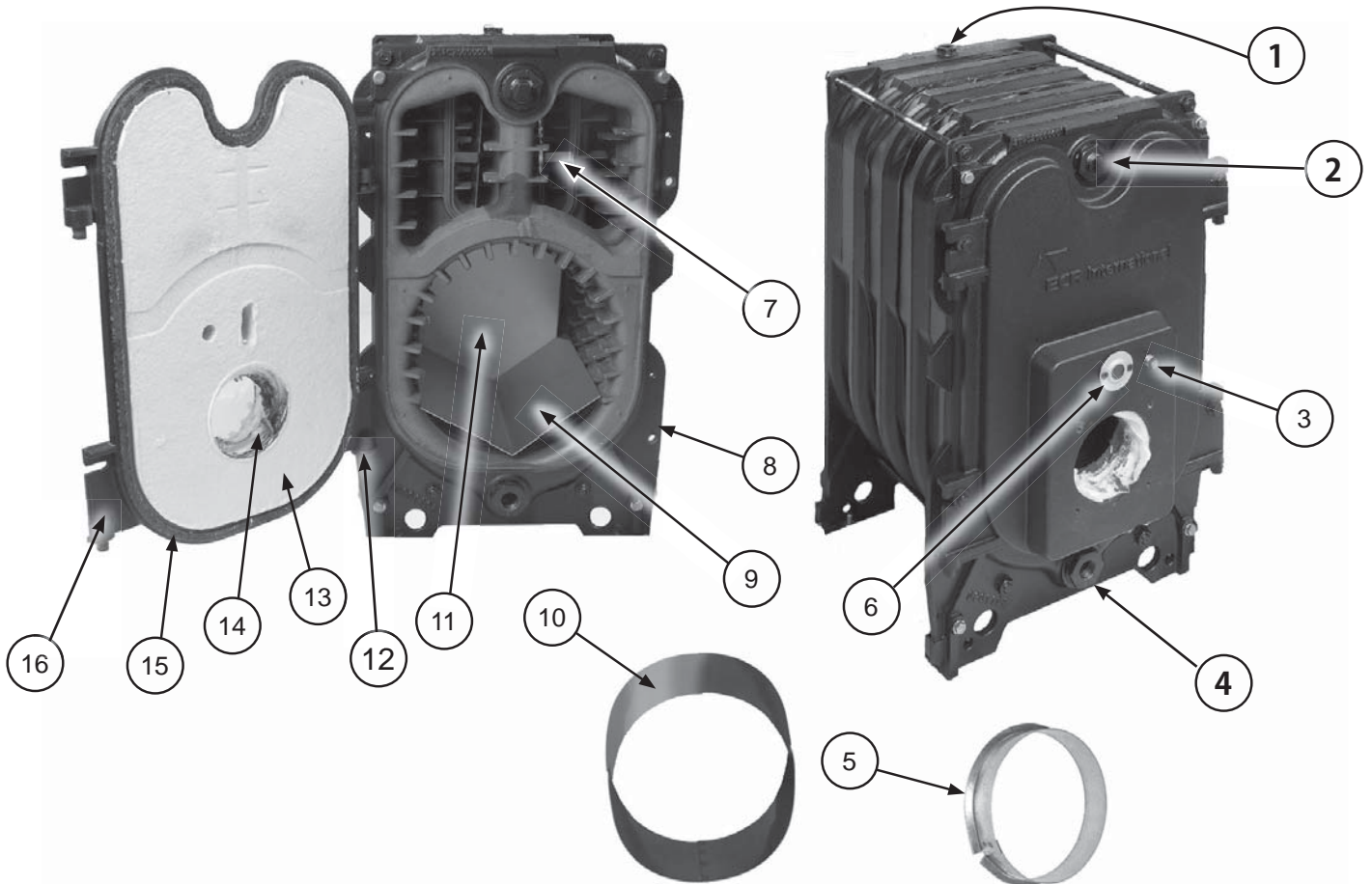


# JACKET



KEY	DESCRIPTION	4 SECTION	5 SECTION	6 SECTION	7 SECTION
	Complete Jacket Assembly	550002396	550002397	550002398	550002399
1	Top Panel	109008609AC	109008610AC	109008611AC	109008612AC
2	Rear Panel, Upper	109008622			
3	Rear Panel, Lower	109008624			
4	Right Side Panel	109008668AC	109008669AC	109008670AC	109008671AC
5	Support Bracket, Lower Rear	109008628			
6	Support Bracket, Lower Front	109008625			
7	Front Panel	109008621AC			
8	Left Side Panel	109008672AC	109008673AC	109008674AC	109008675AC
9	Support Bracket, Upper Front	109008623			
10	Support Bracket, Upper Rear	109008627			

## HEAT EXCHANGER



Item	Description	4 Section	5 Section	6 Section	7 Section
<b>8</b>	<b>Heat Exchanger Block (Includes Items 1,2,4,6,11,12,13,14,15,16)</b>	<b>240009307</b>	<b>240009308</b>	<b>240009309</b>	<b>240009310</b>
1	Control Well in Block		240007709		
2	1¼" x ¼" Bushing (for Temperature Pressure Gauge)		240009346		
4	1¼" x ¾" Bushing (for Drain Valve)		1060003		
6	Sight Glass Replacement Kit		550001932		
11	Target Wall Insulation*		240007302		
12	Door Hinge Kit (2 hinges included)		550001933		
13	Door insulation (hard)* (Front Door)		240007300		
14	Door Insulation (soft)* (Inner Burner Door)		240007301		
15	Door Rope Gasket*		240007390		
16	Burner door with insulation & rope gasket		240007305		

### Items below Ordered Separately

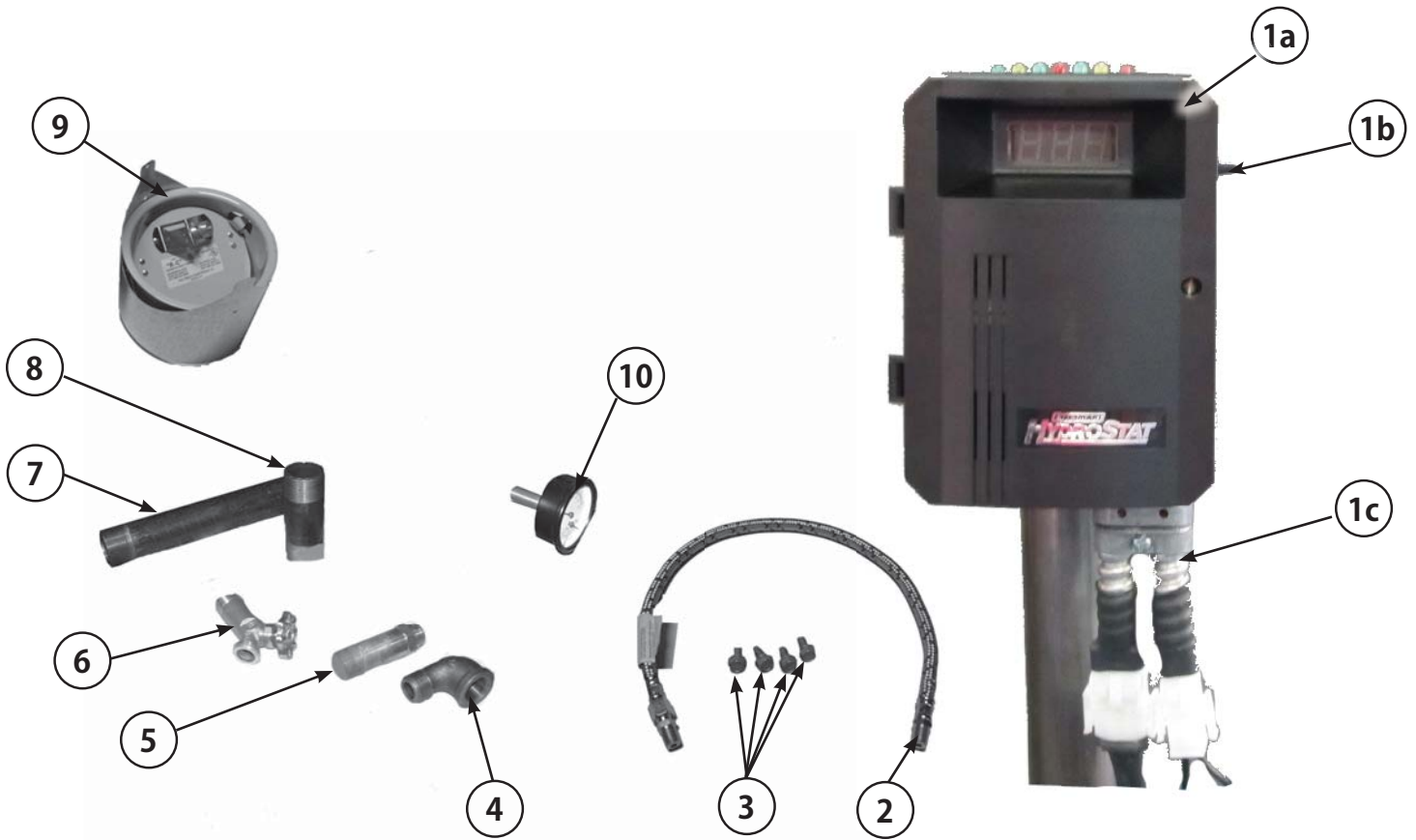
3	¼" NPT Plug		240005463		
5	Flue Spacer	109007382	109007382	109007382	N/A
7	Top Baffle (2 Required)	109007385	109007386	109007387	N/A
9	V-Shaped Liner	N/A	109008787**	109007316	109007315
10	Oval Liner	109007317	N/A	N/A	N/A
‡	Heat Exchanger Insulation Center*	420001080	420001081	420001082	420001083
‡	Heat Exchanger Insulation Rear*		420001079		

‡ Not shown

\* **WARNING:** This product contains fiberglass and/or ceramic fibers. Possible cancer hazard. To avoid this possible hazard, avoid breathing fiberglass wool & ceramic fiber dust. May cause irritation to skin, eyes & respiratory tract.

\*\* Used on 5115 and 5135 models only with Beckett NX burner only.

## STANDARD CONTROLS & ACCESSORIES



Key	Description	Part Number
1	Limit Control Assembly 3002009 (USA Chimney Vent, All Direct Vent ) Includes 1a thru 1e	1a Limit Control 240009347
		1b Limit Sensor Wire 48" 240007708
		1c Wire Harness, Control 240009174
		*1d Wire Harness, Circulator 37519501
		*1e Connector, ½ Romex 14634012
2	24" Flexible Oil Line	240007147
3	Burner Attachment Bolts - 5/16-18 X ¾" LG (Qty 4)	240007237
4	¾" Street Elbow	14693040
5	Limit Control Mounting Plug	240007734
6	¾" Drain Valve	240009323
7	1 ¼" x 10" Adapter	14607012
8	1 ¼" x 6" Adapter	14607017
9	Barometric Draft Control, 5" (4 thru 6 section)	240007166
	Barometric Draft Control, 6" (7 Section only)	14620007
10	Temperature / Pressure Gauge	240009345
*	Control Well Grommet for Sensor Wire	240007713
*	1 ¼" x 1 ¼" x ¾" Tee	PF05901
*	1 ¼" x ¾" x 1 ¼" Tee	151001
*	¾" Safety Relief Valve (30 PSI)	VR-001.01

\* = not shown

## OIL BURNERS

<b>Replacement Burners</b>						
<b>Description</b>	<b>4075</b>	<b>4095</b>	<b>4110</b>	<b>5100</b>	<b>5115</b>	<b>5135</b>
Oil Burner - Beckett Chimney Vent w/o Cover Model AFG except 5115 and 5135 use Model NX	240007232	240009385	240009386	240007233	240009387	240009388
Oil Burner - Beckett Chimney Vent with Cover Model AFG except 5115 and 5135 use Model NX	240007144	240009377	240009378	240007145	240009379	240009380
Oil Burner - Becket Direct Vent Model NX	240007531	240009393	240009394	240007532	240009395	240009396
Oil Burner - Riello Chimney Vent Model 40F	240007502	240009399	240009400	240007503	240009401	240009402
Oil Burner - Riello Direct Vent Model 40BF	240007528	240009407	240009408	240007529	240009409	240009410

<b>REPLACEMENT BURNERS - CONTINUED</b>						
<b>Description</b>	<b>6130</b>	<b>6145</b>	<b>6165</b>	<b>7165</b>	<b>7180</b>	<b>7190</b>
Oil Burner - Beckett Chimney Vent w/o Cover Model AFG except 5115 and 5135 use Model NX	240007234	240009389	NA	240007235	NA	NA
Oil Burner - Beckett Chimney Vent with Cover Model AFG except 5115 and 5135 use Model NX	240007146	240009381	NA	240007183	NA	NA
Oil Burner - Becket Direct Vent Model NX	240007533	NA	NA	NA	NA	NA
Oil Burner - Riello Chimney Vent Model 40F	240007504	240009403	240009404	240007505	240009405	240009406
Oil Burner - Riello Direct Vent Model 40BF	240007530	NA	NA	NA	NA	NA

## OIL BURNERS

<b>BECKETT BURNER REPLACEMENT PARTS - AFG &amp; NX</b>	
CAD Cell (AFG & NX)	14662085
Power Cord (AFG & NX)	240007129
Oil Pump Solenoid	RP04601
Pump, Oil Clean Cut #2184404U	29688
Beckett Burner Cover Kit	240007393
<i>See Burner Manual for illustrations. When ordering, use the above part numbers.</i>	
<b>BECKETT BURNER REPLACEMENT PARTS - AFG ONLY</b>	
Combustion Air Tube With Custom Flange, AFG70MQASN w/L2 Head	240007638
Combustion Air Tube With Custom Flange, AFG70MKAQN w/V1 Head	240007639
Igniter & Base Plate (Replacement Burner)	1050007
Drawer Assembly, (incl. 3-3/8U Static Plate & L2 head Igniter)	240007640
Drawer Assembly, (incl. 2-3/4M Static plate, V1 head Igniter)	240007641
Burner Control, 7505P1515 Beckett Genisys (Pre 15s Post 15s)	240008818
Burner Gasket with keyhole	240007392
L2 Head	240007645
V1 Head	240006446
3-3/8U Static Plate	BN08102
2-3/4M Static Plate	240007646
<b>BECKETT BURNER REPLACEMENT PARTS - NX ONLY</b>	
Combustion air tube with custom flange, NX70LC	240007772
Combustion air tube with custom flange, NX70LD	240007773
Igniter & Base Plate	240007774
Drawer Assembly (incl. Static Plate, Press Sensor Tube, Igniter, 6 Slot NX Head)	240007775
Drawer Assembly (incl. Static Plate, Press Sensor Tube, Igniter, 9 Slot NX Head)	240007776
Burner Control 7505P152M Beckett Genisys (Pre 15s Post 2m)	240007777
Burner Gasket with Keyhole	240007778
Head/Leg Assembly, 6-slot NX1	240007779
Head/Leg Assembly, 9-slot NX2	240007780
Air Inlet Adapter, Modified	240007781
Pressure Switch 2198501 (0.65" wc)	240007782
Pressure Switch 21985 (0.85" wc)	240007783
Head Adjustment Mechanism	240007784

## REPLACEMENT PARTS

<b>CIRCULATORS</b>	
Circulator - Grundfos UP15	CI-006.01
Circulator - Taco	CI-001.03

## KITS

Description	Part Number
Manual Reset Temperature Limit Kit	550001929
Manual Reset High Limit Control	1010003
Manual Reset Wire Harness	240007127
Immersion Well	14662804
Limit Control Assembly (Canada Chimney Vent Only)	3002015
Limit Control	240009347
Wire Harness Control	240009174
Wire Harness Circulator	37519501
Wire Harness Vent Safety	240004880
Limit Sensor Wire 48"	240007708
5" Vent Safety Kit (Required in Canada, USA optional)	550001931
5" Flue Connector	30655
Wire Harness	240007547
Assembly, WMO Control Field	30660
6" Vent Safety Kit (Required in Canada, USA optional)	550001930
6" Flue Connector	30656
Wire Harness	240007547
Assembly, WMO Control Field	30660
<b>FOR DIRECT VENT UNITS ONLY</b>	
Kit, Vent Flex, 4" dia x 10' with Terminal adapter	240006909
Kit, Vent Flex, 4" dia x 15' with Terminal adapter	240006910
Kit, Vent Flex, 4" dia x 20' with Terminal adapter	240006911
Terminal Adapter (part of Vent Flex kit)	240006914
Vent Terminal Oil	28972
Riser Terminal (adds 36" height)	29231
Appliance Adapter 3 Pass Oil Boiler	240007535

For technical assistance with this product call toll free 1-800-325-5479  
ECR International  
2201 Dwyer Ave.  
Utica, NY 13501 [www.ecrinternational.com](http://www.ecrinternational.com)