



- Models
- 3EW.65
- 3EW.75
- 3EW1.00
- 4EW.90
- 4EW1.25
- 4EW1.50
- 5EW1.20
- 5EW1.75
- 5EW2.00

EMPIRE II SERIES II

OIL-FIRED CAST IRON
HOT WATER BOILER

Parts and Optional Accessories

Ordering Instructions

Order Parts through your nearest supplier.

When ordering parts, obtain Model Number and Serial Number from data plate on your boiler.

Include following information when ordering.

Part Number _____

Part Description _____

Boiler Model Number _____

Boiler Serial Number _____



An ISO 9001-2008 Certified Company

Manufactured by:

ECR International, Inc.

2201 Dwyer Avenue, Utica NY 13501

web site: www.ecrinternational.com

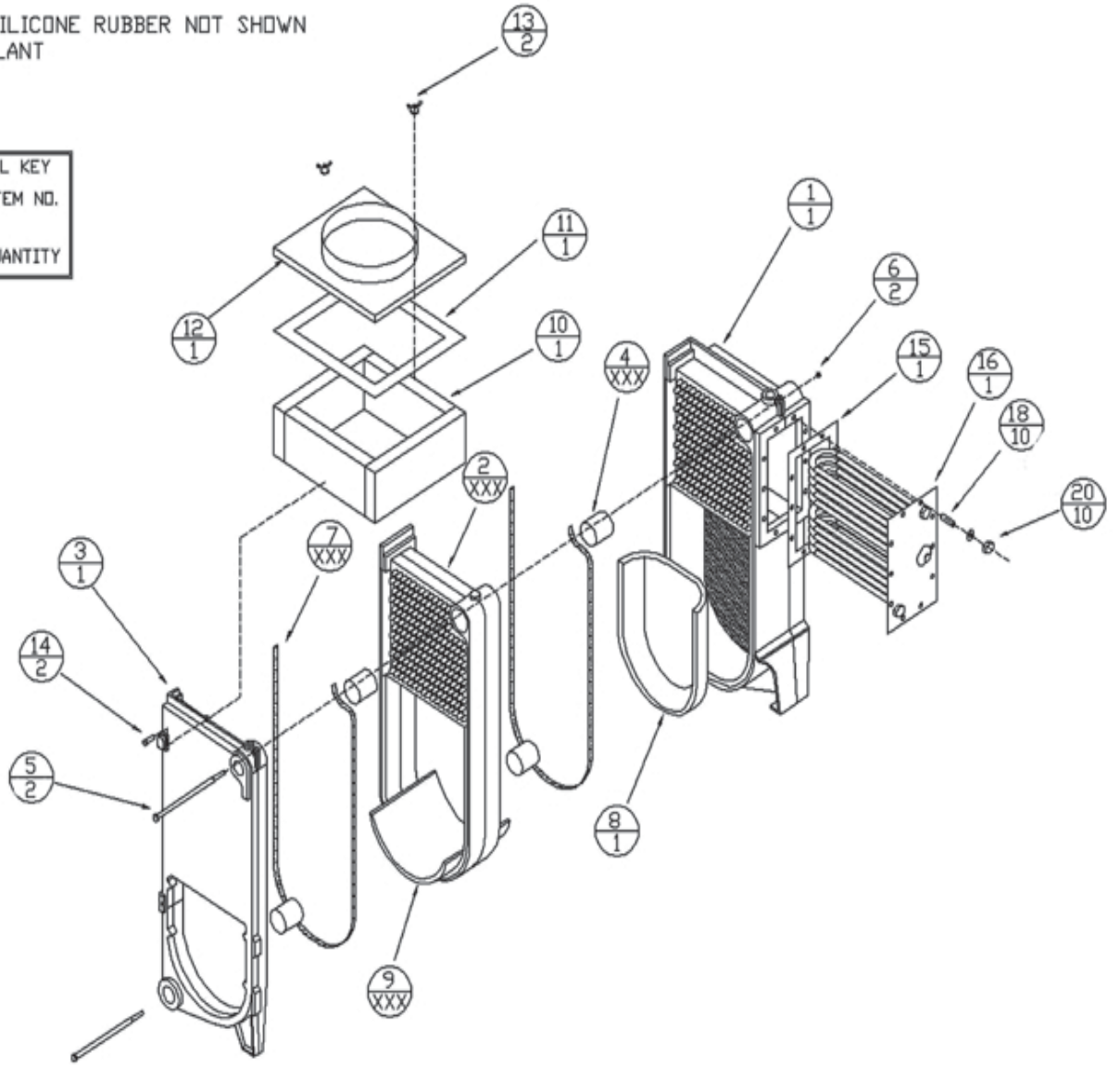
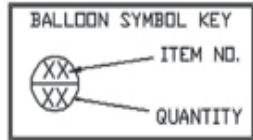
P/N# 240009553, Rev. B [08/2012]

REPAIR PARTS

17/1 COVER PLATE FOR BOILERS WITHOUT TANKLESS COIL NOT SHOWN

21/2 1 1/4" SQUARE HEAD PLUGS NOT SHOWN

22/XXX 400°F BLACK SILICONE RUBBER NOT SHOWN
ADHESIVE SEALANT



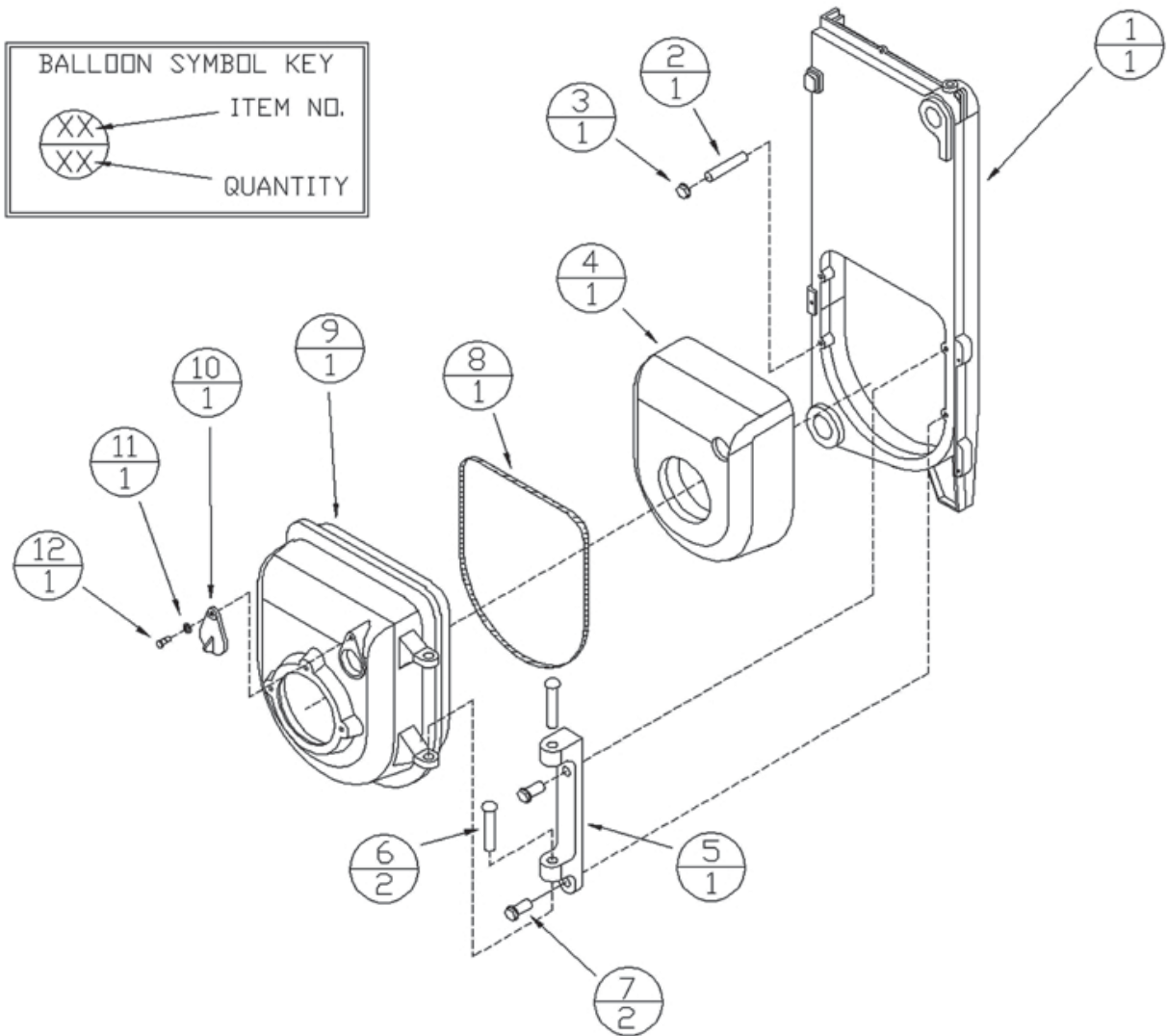
REPAIR PARTS

ITEM	DESCRIPTION	3EW	4EW	5EW
1	Water Boiler Back Section (EW3)	40300008	40300008	40300008
2	Water Boiler Middle Section (EW2)	40300007	40300007	40300007
3	Empire Water Front Section (EW1)	40300006	40300006	40300006
4*	Cast Iron Machined Nipples 2"	43300976	43300976	43300976
5*	1/4" Tie Rods	14605002	14605051	14605053
6	Tie Rods 1/4"20 Hex Head Nut	HW-003.02	HW-003.02	HW-003.02
7*	5/16" x 701/2" Braided Rope	43300955	43300955	43300955
8	Target Wall	14619003	14619003	14619003
9*	1/2" thick Durablanket	14630031	14630031	14630031
10	Collector Complete (plus item 11, 12, 13)	42500279	42500280	42500281
11	Insulation Tape (plus items 10, 12, 13)	42500279	42500280	42500281
12	Collector Top (plus items 10, 11, 13)	42500279	42500280	42500281
13	8/32" Brass Wing Nut	13704007	13704007	13704007
14	5/16 X 1 1/4 Type A Hex Washer Head Screw	14695039	14695039	14695039
15**	Coil Gasket	240007071	240007071	240007071
16**	3.7 GPM Tankless Coil	14627020	14627020	14627020
17	Coil Housing Cover Plate (not shown)	43300256	43300256	43300256
18**	Stainless Steel 3/8"16 x 11/2" Stud	14695113	14695113	14695113
20**	Stainless Steel 3/8" Top Lock Nut	1330008	1330008	1330008
21	1 1/4" Solid Plug (not shown)	1395002	1395002	1395002
22	Black Silicone Sealant (not shown)	240006837	240006837	240006837
‡	Battery	40300303	40300403	40300503
‡	**Replacement Coil Kit (contains items 15, 16, 18, 20)	43360408	43360408	43360408

* Note: Item quantities marked XXX vary depending upon the number of sections. Four cast iron nipples for first middle replacement section and two for each additional section. Durablanket is sold as one oversized piece to be cut to fit the appropriate boiler 6" x 12" (3EW), 9" X 20" (4EW), 12" X 20" (5EW). Black silicone sealant is sold in 10.1 oz. Cartridges.

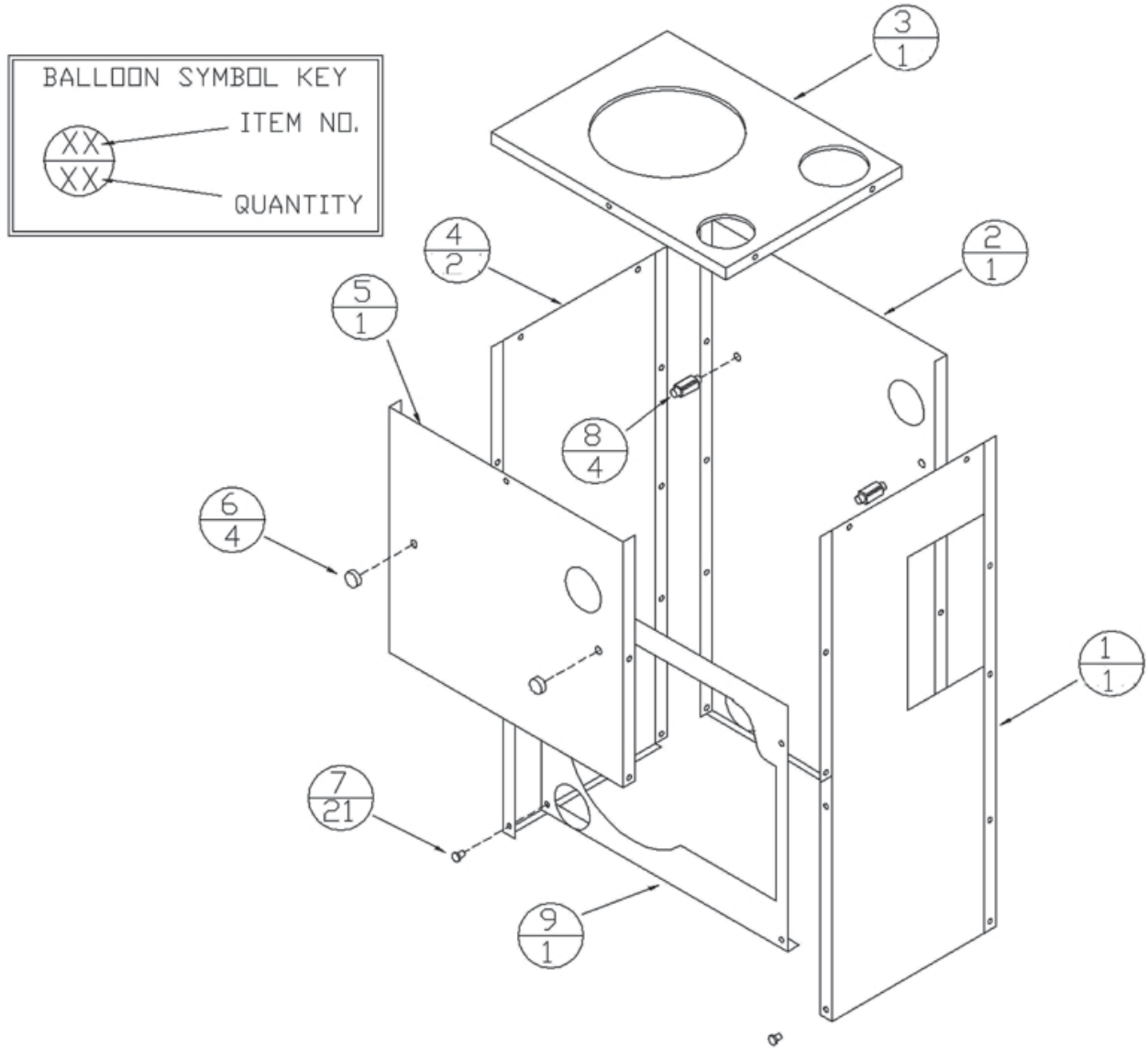
‡ Not illustrated.

REPAIR PARTS



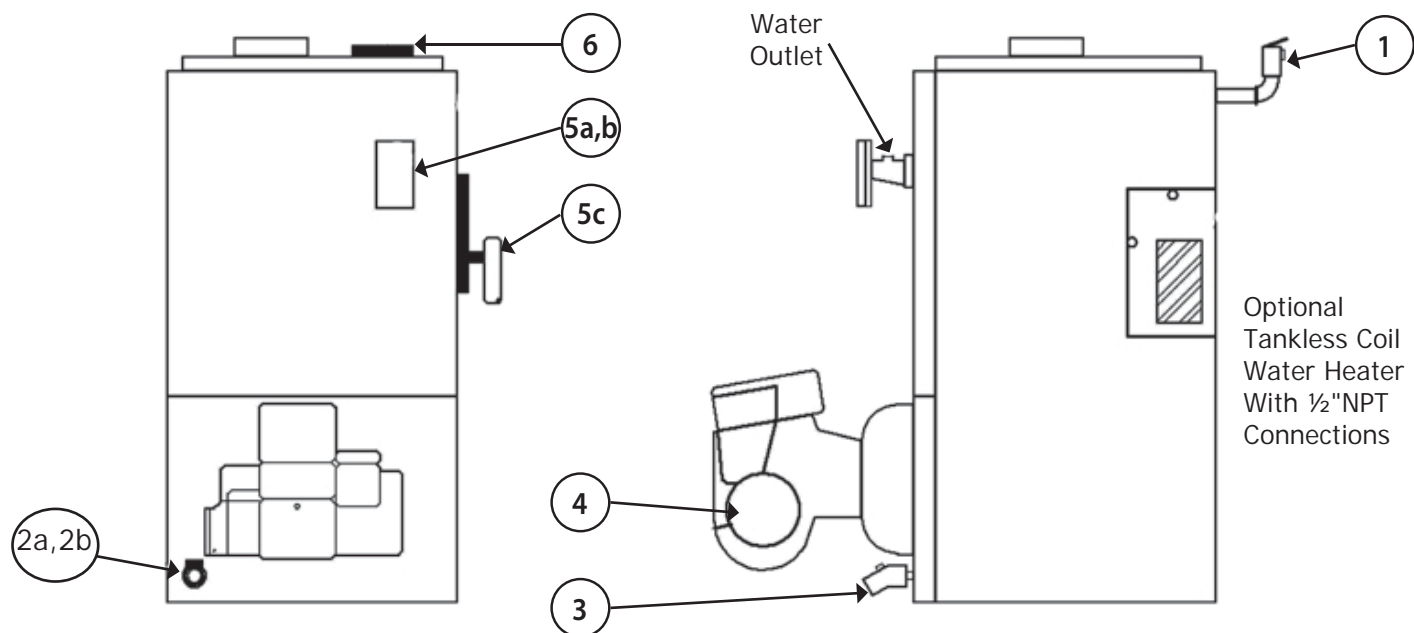
ITEM	DESCRIPTION	PART#
1	Empire Water Front Section (EW1)	40300006
2	3/8" - 16 X 2-1/4" stud	14695125
3	3/8" Whizlock Nut	14695126
4	Swing Door Insulation	14614014
5	Swing Door Hinge	40300010
6	1/4" x 2" Round Head Rivet	14695121
7	3/8" x 1" Hex Head Serrated Flange Bolt	14695124
8	3/8" x 48" Round Braid	43300905
9	Swing Door	40300009
10	Observation Door	40300014
11	5/16" Lock Washer	14695123
12	3/8" x 3/8" Shoulder Bolt 5/16"-18 Thread	14695122

REPAIR PARTS



ITEM	DESCRIPTION	3EW	4EW	5EW
1	Right Side Jacket Panel	42500244AC	42500245AC	42500246AC
2	Back jacket Panel	42500269AC	42500269AC	42500269AC
3	Top jacket Panel	42500254AC	42500255AC	42500256AC
4	Left Side Jacket Panel	42500264AC	42500265AC	42500266AC
5	Upper Side Jacket Panel	42500267AC	42500267AC	42500267AC
6	5/16" Acorn Nut	14695042	14695042	14695042
7	#10 x 1/2" Jacket Screw	14695074	14695074	14695074
8	Stand Off	14695103	14695103	14695103
9	Lower Front Jacket Panel (boiler w/swing door)	42500268AC	42500268AC	42500268AC
XX	Complete Jacket for Boiler with Swing Door	42600289AC	42600290AC	42600291AC

REPAIR PARTS



ITEM	DESCRIPTION	3EW	4EW	5EW
1	3/4" Safety Relief Valve, Combraco 10-408-05		14622011	
2a	1 1/4" x 2 1/2" Pipe Nipple		14607044	
2b	1 1/4" x 3/4" x 1 1/4" Reducing Tee		1510001	
3	3/4" Drain Valve		240009323	
4	Oil Burner, Beckett AFG	1050036	1050037	1050038
	Oil Burner, Riello	1050006	1050006	10500011 ⁽¹⁾
	Oil Burner, Carlin	14619005	14619005	14619006 ⁽²⁾
5a	Limit, Honeywell L7248L		240009128	
5b	Sensor, Honeywell 50001464-001		240007686	
5c	Low Limit Control (w/ Tankless Coil only)		AQ-008.00	
6	Temperature Pressure Gauge 2" Stem		1260006	
*	Taco 007 Circulator		CI-001.03	
*	Circulator, Grundfos UP15-4F		CI-006.01	
*	Circulator, B&G NRF 22		CI-001.01	

* Not Shown

⁽¹⁾ Riello F5 (1050006) required for 5EW 1.20

⁽²⁾ Carlin EZ-2 (14619005) required for 5EW 1.20

BECKETT OIL BURNER, NOZZLE, AND AIR SETTING

BOILER MODEL	DELEVAN OIL NOZZLE	INPUT RATE (gph)	HEAD-ADJ. OR SETTING	LOW FIRE BAFFLE	AIR SHUTTER/BAND	STATIC PLATE	OIL BURNER	RERATE KITS
3EW.65*	0.50-80° B	0.65	F0 - 1 1/8	YES	10/0	3 5/8	AFG F-HEAD	550002677
3EW.75	0.65-70° B	0.75	F3 - 1 1/8	YES	10/0	3 1/2	AFG F-HEAD	550002676
3EW1.00	0.85-70° B	1.00	F3 - 1 1/8	NO	10/2	3 1/2	AFG F-HEAD	550002666
4EW.90	0.75-80° A	0.90	F3 - 1 1/8	NO	8/0	3 1/2	AFG F-HEAD	550002678
4EW1.25	1.00-80° A	1.25	F6 - 1 1/8	NO	10/0	3 3/8	AFG F-HEAD	550002675
4EW1.50	1.25-80° A	1.50	F6 - 1 1/8	NO	10/2	3 3/8	AFG F-HEAD	550002667
5EW1.20	1.00-60° B	1.20	0	NO	10/1.5	2 3/4	AFG 50 MD	550002668
5EW1.75	1.50-45° B	1.75	2	NO	10/4	2 3/4	AFG 50 MD	
5EW2.00	1.65-60° B	2.00	4	NO	10/5	2 3/4	AFG 50 MD	

*To fire the 3EW.65 on rate, the oil pressure must be increased to 175 psig. All Beckett oil burners for the EW boiler are factory preset at 140 psig

BOILER MODEL	DELEVAN OIL NOZZLE	INPUT RATE (gph)	HEAD SETTING	AIR BAND SET POINT	CARLIN BURNER*	RERATE KITS
3EW.65	0.55-70° B	0.65	0.50	0.52	EZ-1 HP	550002672
3EW.75	0.65-60° B	0.75	0.60/0.65	0.60	EZ-1 HP	
3EW1.00	0.85-60° B	1.00	0.85/1.00	0.80	EZ-1 HP	
4EW.90	0.75-60° B	0.90	0.75	0.75	EZ-1 HP	550002673
4EW1.25	1.00-60° B	1.25	0.85/1.00	0.90	EZ-1 HP	
4EW1.50	1.25-60° B	1.50	1.10/1.5	1.25	EZ-1 HP	
5EW1.20	1.00-60° B	0.20	0.85/1.00	0.90	EZ-1 HP	N/A
5EW1.75	1.50-60° B	1.75	1.50	1.65	EZ-2 HP	550002674
5EW2.00	1.65-70° B	2.00	1.65/1.75	1.95	EZ-2 HP	

*All Carlin EZ-1 and EZ-2 HP oil burners are factory preset at 150 psig.

BOILER MODEL	DELEVAN OIL NOZZLE	INPUT RATE (gph)	TURBULATOR/AIR SHUTTER SETTING	OIL PRESSURE (PSIG)*	RIELLO 40 BURNER MODEL	RERATE KITS
3EW.65	0.50-70° W	0.65	0.50	155	F5	550002669
3EW.75	0.65-70° W	0.75	2.0/2.2	150	F5	
3EW1.00	0.85-70° W	1.00	2.0/2.3	170	F5	
4EW.90	0.75-70° W	0.90	1.5/2.6	160	F5	550002670
4EW1.25	1.00-70° W	1.25	2.5/3.8	170	F5	
4EW1.50	1.25-70° W	1.50	4.0/7.0	175	F5	
5EW1.20	1.00-70° W	1.20	2.5/3.5	150	F5	N/A
5EW1.75	1.50-70° W	1.75	2.0/3.8	155	F10	550002671
5EW2.00	1.75-70° W	2.00	2.5/4.1	155	F10	

*All Riello 40 F5 and F10 oil burner are factory preset at 145 psig.

NOTE: All burners use an insertion depth of 2 1/4" and fired at a overfire draft of 0.02 inches w.c. The burner settings provided are intended for initial start up only. Final adjustment must be made using combustion test instruments.



DUNKIRK BOILERS
2201 Dwyer Avenue, Utica NY 13501
web site: www.ecrinternational.com