



Models
DXL-50
DXL-75
DXL-100
DXL-125
DXL-150
DXL-170
DXL-200

DXL SERIES II

**CAST IRON GAS FIRED BOILERS
FOR FORCED HOT WATER**

REPAIR PARTS AND OPTIONAL KITS

Ordering Instructions

Order Parts through your nearest supplier.

When ordering parts, obtain Model Number and Serial Number from data plate on your boiler.

Include following information when ordering.

Part Number _____

Part Description _____

Boiler Model Number _____

Boiler Serial Number _____



An ISO 9001-2008 Certified Company

Manufactured by:

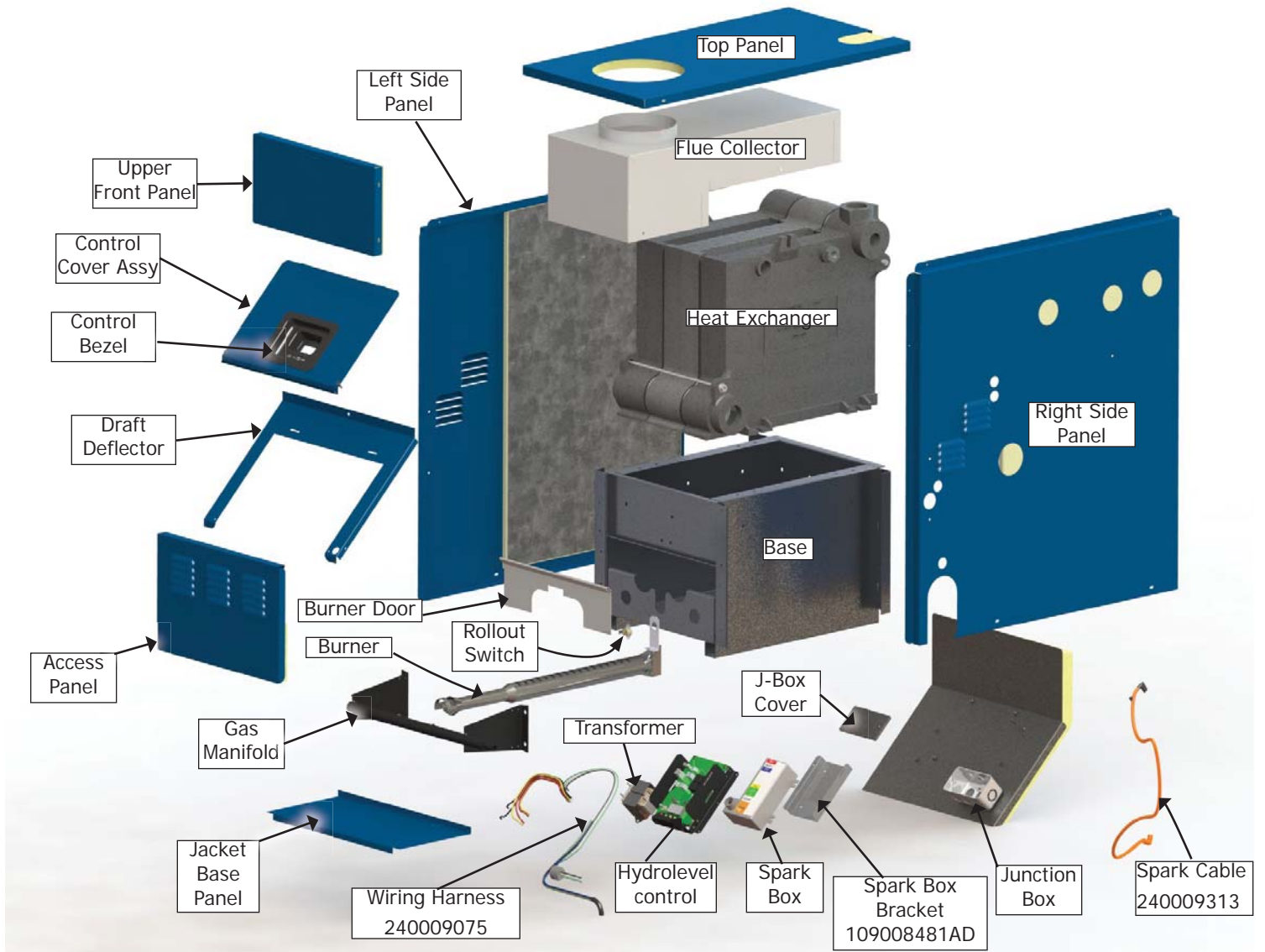
ECR International, Inc.

2201 Dwyer Avenue, Utica NY 13501

web site: www.ecrinternational.com

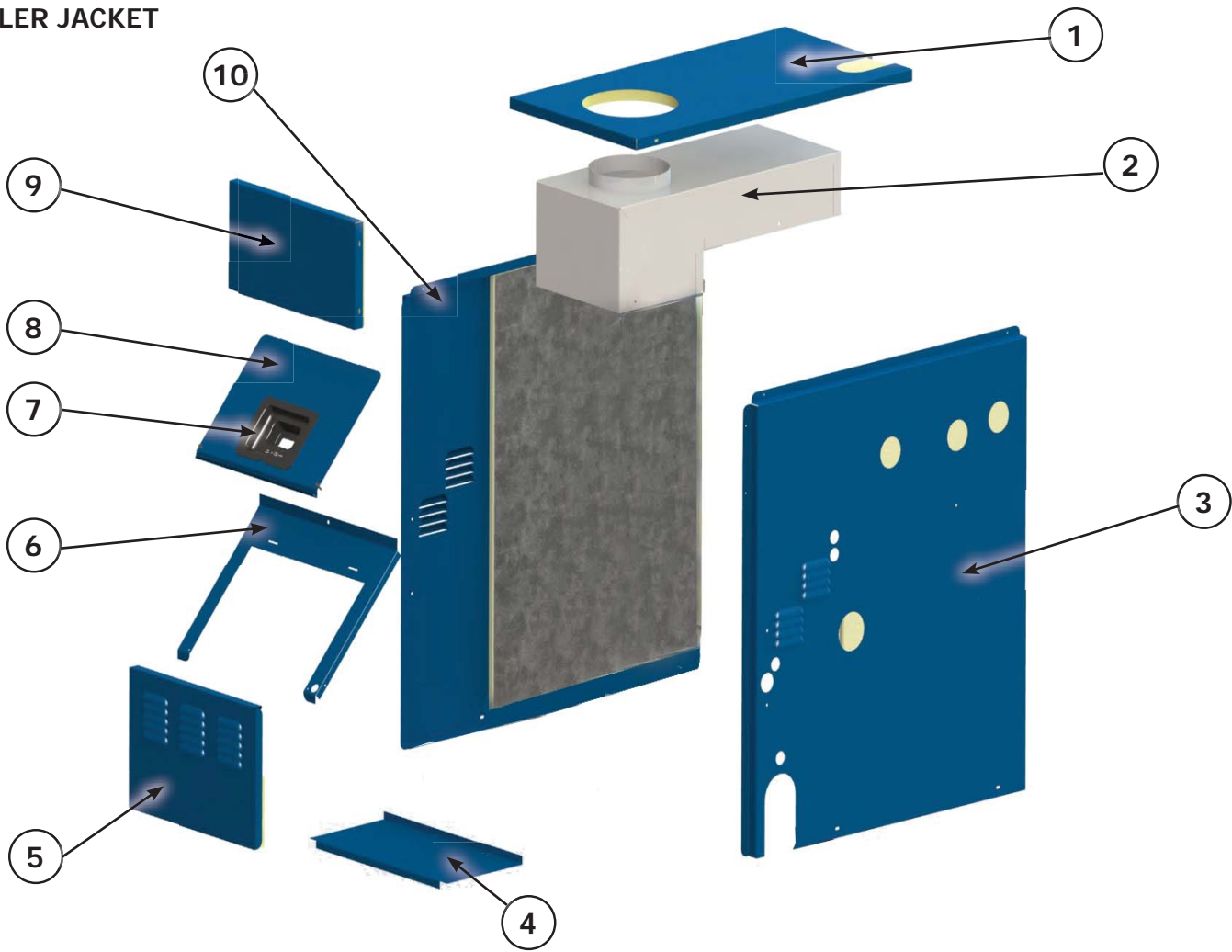
P/N 2400009042, Rev. C [12/2012]

REPLACEMENT PARTS - EXPLODED VIEW



REPLACEMENT PARTS - JACKET

BOILER JACKET

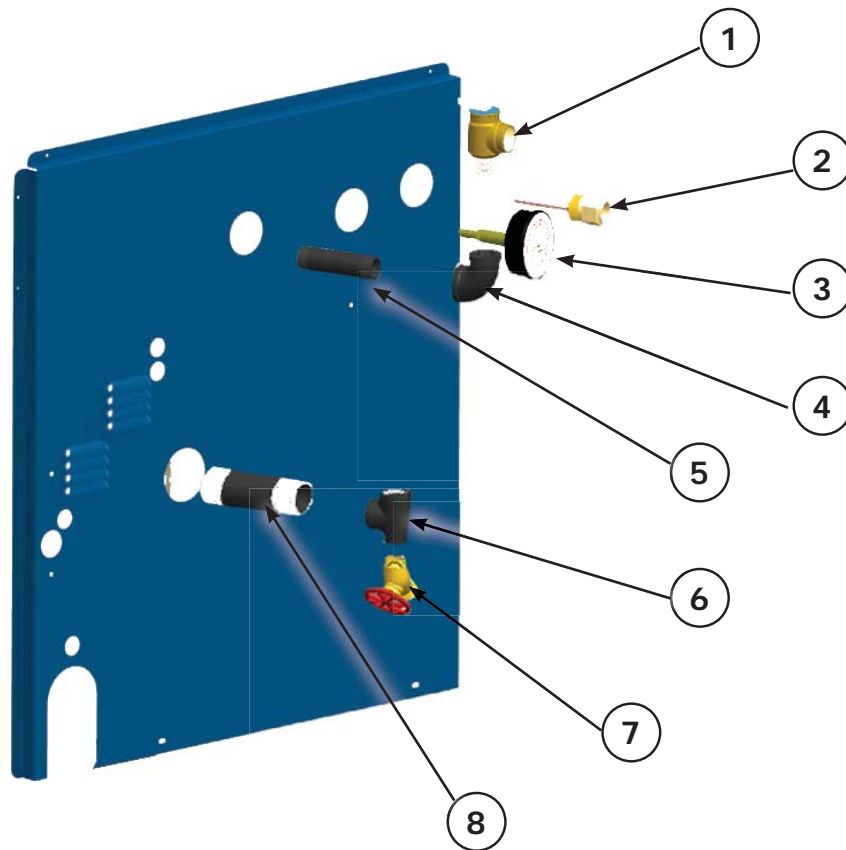


Item #	Boiler Size	50	75/100		125	150	175/200	
	Complete Jacket Kit #	550002412	550002413		550002414	550002415	5552416	
1	Top Panel	31621501AC	31621502		31621503	31621504	31621505	
2	Flue Collector	3462101	3462108	3462102	3462107	3462103	3462109	3462104
3	Right Panel	109008493						
4	Base Panel	3161201	3161202		109008530		1098531	
5	Lower Access Panel	109008737	109008738		109008739		109008740	
6	Draft Deflector	109008644	10008645		109008646		109008647	
7	Control Bezel*	240009256						
8	Control Cover*	109008755	109008756		109008757		109008758	
9	Upper Access Panel	109008761	109008762		109008763	109008764	109008765	
10	Left Jacket Panel	109008492						

* Not included in Complete Jacket Assy Kit.

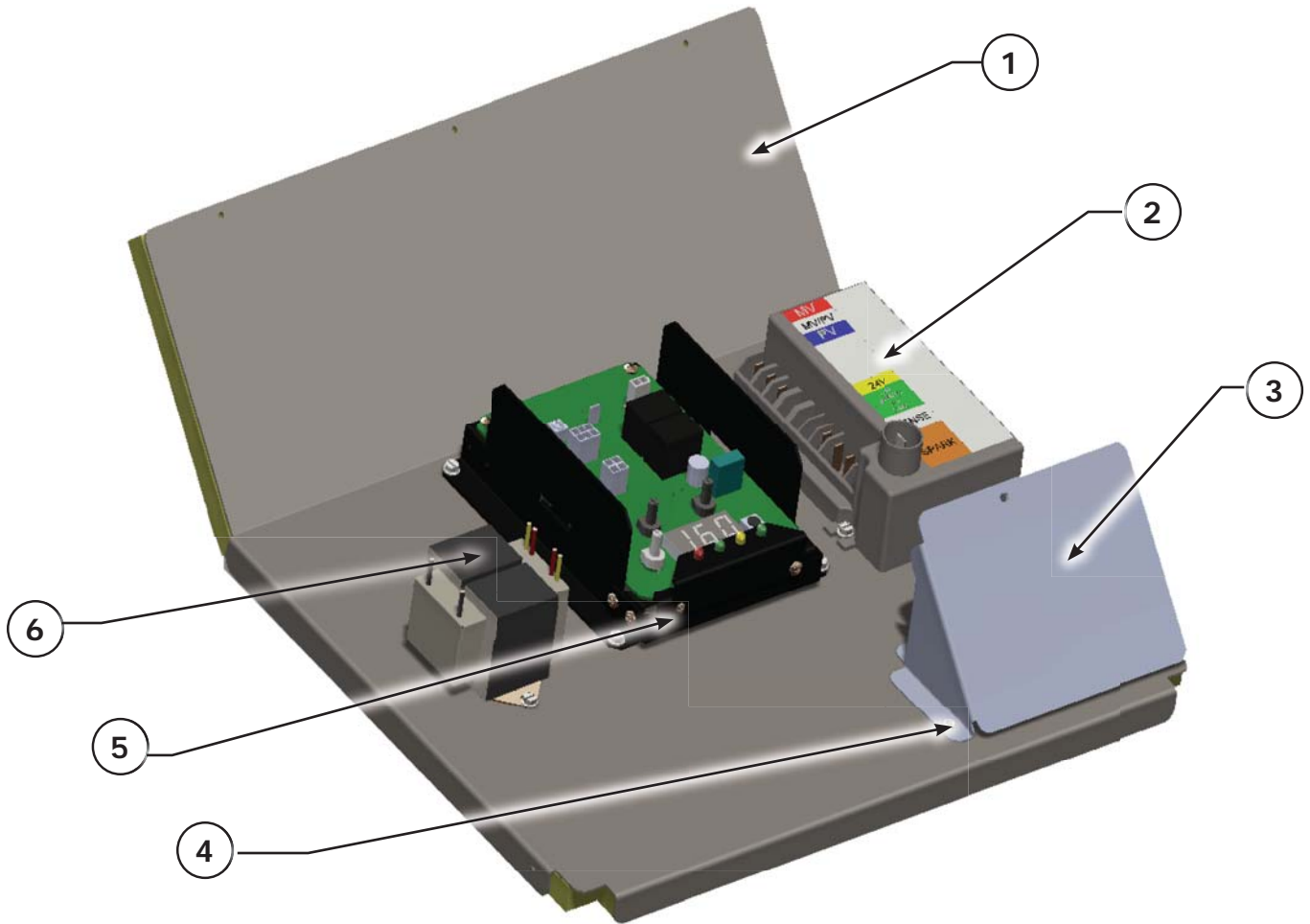
REPLACEMENT PARTS - PIPING & CONTROLS

PIPING & CONTROLS



ITEM	DESCRIPTION	P/N	QTY.
1	RELIEF VALVE 30#	VR-001.01	1
2	WELL HYDROLEVEL 3/4"X 1 1/2"	1635001	1
3	TEMPERATURE PRESSURE GAUGE	1260006	1
4	PIPE - ELBOW 3/4" 90°	1190001	1
5	PIPE - NPL 3/4"X4"	1310001	1
6	PIPE TEE 1 1/4" X 3/4" X 1 1/4"	1510001	1
7	DRAIN - SHORT	240009323	1
8	PIPE - NPL 1 1/4 X 4 1/2 NPT	1310002	1
*	DAMPER HARNESS	240006309	1
*	GAS VALVE/IGNITER HARNESS	37413602	1
*	CIRCULATOR HARNESS	240009421	1
*	TEMPERATURE SENSOR, 48"	240007708	1
*	TEMPERATURE SENSOR GROMMET	240007713	1
* Item not shown			

REPLACEMENT PARTS - CONTROL MODULE



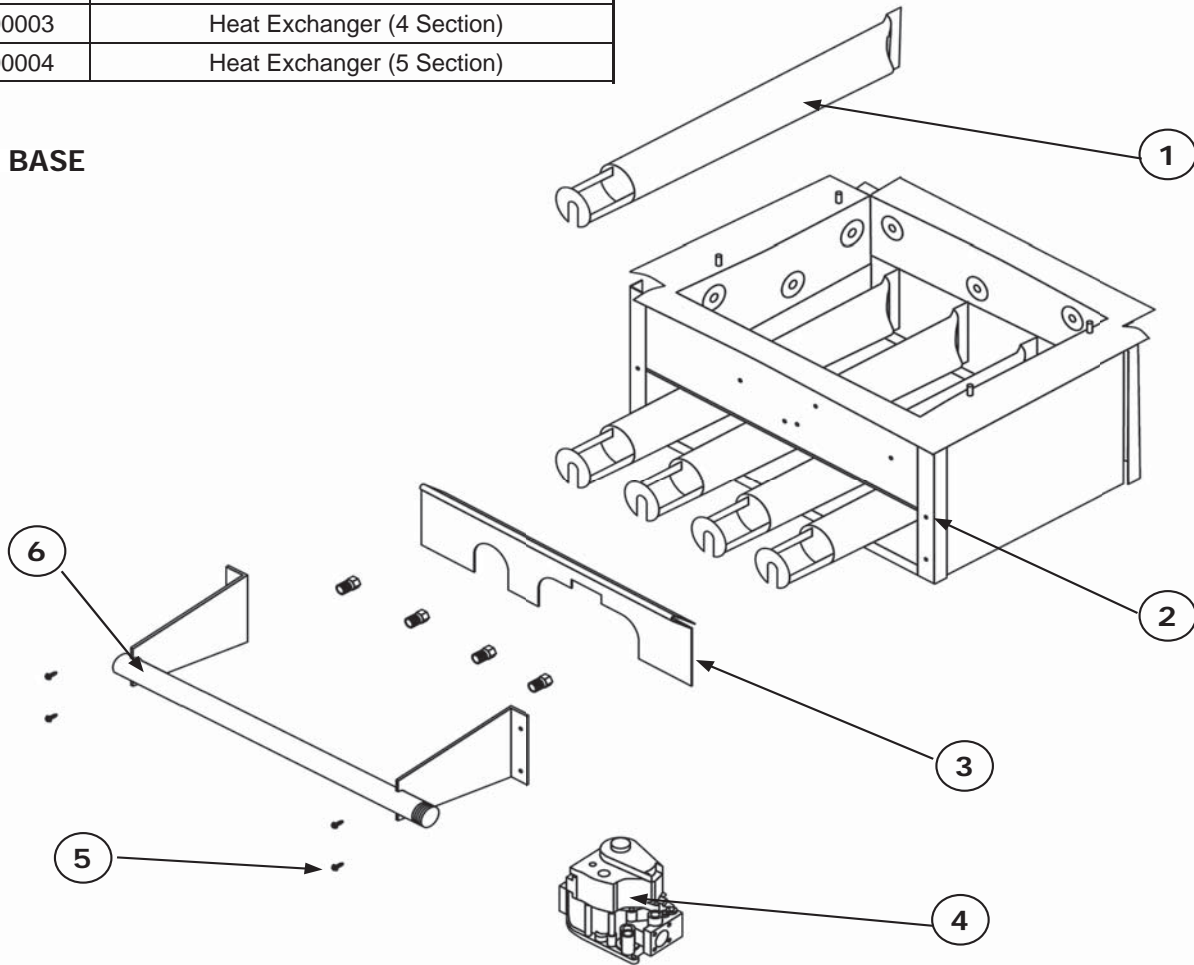
ITEM	DESCRIPTION	P/N	QTY.
1	2 SECTION PANEL WITH INSULATION	109008652	1
	3 SECTION PANEL WITH INSULATION	109008653	1
	4 SECTION PANEL WITH INSULATION	109008654	1
	5 SECTION PANEL WITH INSULATION	109008655	1
2	INTERMITTENT PILOT CONTROL 1003-620A	14662070	1
	PILOT CONTROL BRACKET	109008481	1
3	DXL J-BOX	212000017	1
	J-BOX COVER	212000018	1
4	HEX WASHER SCREW #8-32X1/2" B POINT	201000024	8
5	2012 HYDROLEVEL CTRL MODULE	240009076	1
6	BASLER TRANSFORMER	240007897	1
*	WIRE HARNESS	240009075	1
* Item not shown			

REPLACEMENT PARTS - HEAT EXCHANGER & BOILER BASE

HEAT EXCHANGER

Fully Assembled Heat Exchangers	
912000001	Heat Exchanger (2 Section)
912000002	Heat Exchanger (3 Section)
912000003	Heat Exchanger (4 Section)
912000004	Heat Exchanger (5 Section)

BOILER BASE



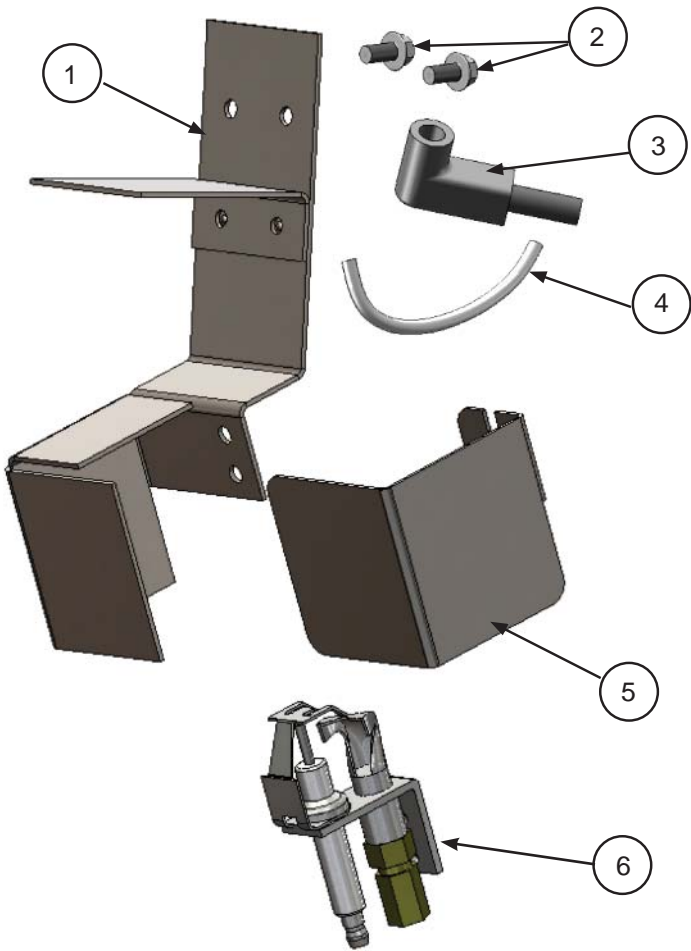
Item #	Description	Part #	Qty.
1	BURNER TUBE 1 1/2" - 50	240005543	1
	BURNER TUBE 1 1/2" - 75, 100		2
	BURNER TUBE 1 1/2" - 125, 150		3
	BURNER TUBE 1 1/2" - 170, 200		4
2	BASE W/INSUL - 50	5611601	1
	BASE W/INSUL - 75, 100	5611602	
	BASE W/INSUL - 125, 150	3001823	
	BASE W/INSUL - 170, 200	5611604	
3	BURNER DOOR - 50	3261201	1
	BURNER DOOR - 75, 100	32611405	
	BURNER DOOR - 125, 150	109008513	
	BURNER DOOR - 170, 200	109008514	
4	MANIFOLD - 50	356-2-1.01	1
	MANIFOLD - 75 & 100	356-2-1.02	
	MANIFOLD - 125 & 150	356-2-1.03	
	MANIFOLD - 170 & 200	356-2-1.04	

Item #	Description	Part #	Qty.
5	SCREW 1/4" - 20 X 1/2 SELF TAP	HW-005.01	4
	GAS VALVE VR8204H - 50 - 150 SPARK NAT	VG01101	
	GAS VALVE VR8304H4 - 170-200 SPARK NAT	VG01103	
	GAS VALVE VR8304 - 50-200 SPARK LP	VG01104	
7	ORIFICE 3.2mm NAT - 50, 100, 150, 200,	240007406	*
	ORIFICE 2.9mm NAT - 125, 170	240007403	
	ORIFICE 2.8mm NAT - 75	240007402	
	ORIFICE #45 LP - 50	3551520	
	ORIFICE #47 LP - 100, 150, 200	355-1-5.04	
NOT SHOWN	ORIFICE #49 LP - 125 & 170	355-1-5.06	1
	ORIFICE #50 LP - 75	355-1-5.07	
	COMBUSTIBLE BASE FLOORING - 50	325-2-8.01	
	COMBUSTIBLE BASE FLOORING - 75, 100	325-2-8.02	
	COMBUSTIBLE BASE FLOORING - 125, 150	325-2-8.03	
	COMBUSTIBLE BASE FLOORING - 170, 200	325-2-8.04	

* Orifice Quantities: Model 50 - qty 1; Model 75 & 100- qty 2; Model 125 & 150- qty 3; Model 170 & 200- qty 4

REPLACEMENT PARTS - PILOT

SPARK PILOT

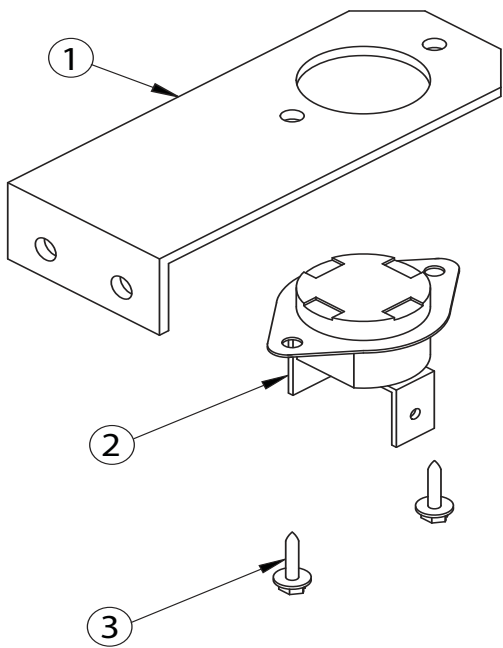


Spark Pilot Kit - Natural Gas 550001911		
Spark Pilot Kit - LP/Propane 550001912		
Item #	Description	Qty.
1	PILOT BRACKET ASSEMBLY	1
2	BRACKET SCREW	2
3	SPARK CABLE	1
4	PILOT TUBING, 1/8" X 24"	1
5	NATURAL GAS Q345A PILOT	1
	LP Q345A PILOT	
6	PILOT SHIELD	1

* Included with #3 - Pilot Tube Assembly Kit

ROLLOUT & BLOCKED VENT SAFETY SWITCH

3 Section Shown



Item #	Description	Part #	Qty.
1	2 SECTION TEMP. SENSOR BRACKET	32611001	1
	3 SECTION TEMP. SENSOR BRACKET	3262001	1
	4 SECTION TEMP. SENSOR BRACKET	109008517	1
	5 SECTION TEMP. SENSOR BRACKET	109008518	1
2	CONTROL-FIXED TEMPERATURE THERMO (BLOCKED VENT SAFETY SWITCH)	AQ02101	1
3	SCREW - #6 X 1/4 HEX HD	HW06501	2



DUNKIRK BOILERS

2201 Dwyer Avenue, Utica NY 13501
web site: www.ecrinternational.com