



EXCELSIOR Series 3
High Efficiency
Oil Fired Hot Water Boiler

Models

- EXB4075
- EXB4090
- EXB5100
- EXB5120
- EXB6130
- EXB6145
- EXB7165
- EXB7180

**PARTS, KITS &
OPTIONAL ACCESSORIES**

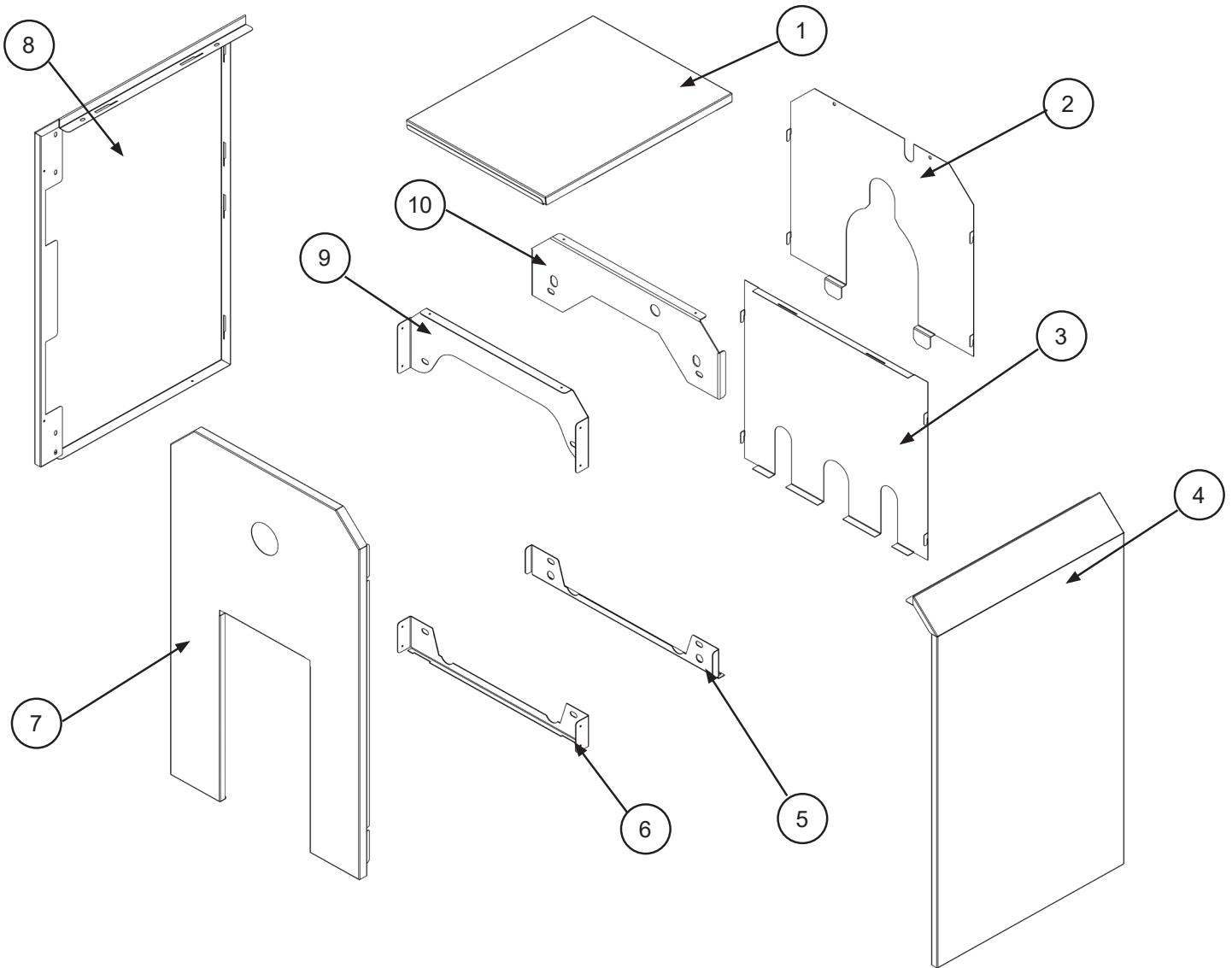
Ordering Instructions
Order Parts through your nearest supplier.
When ordering parts, obtain Model Number and Serial
Number from data plate on your boiler.
Include following information when ordering.

Part Number _____
Part Description _____
Boiler Model Number _____
Boiler Serial Number _____



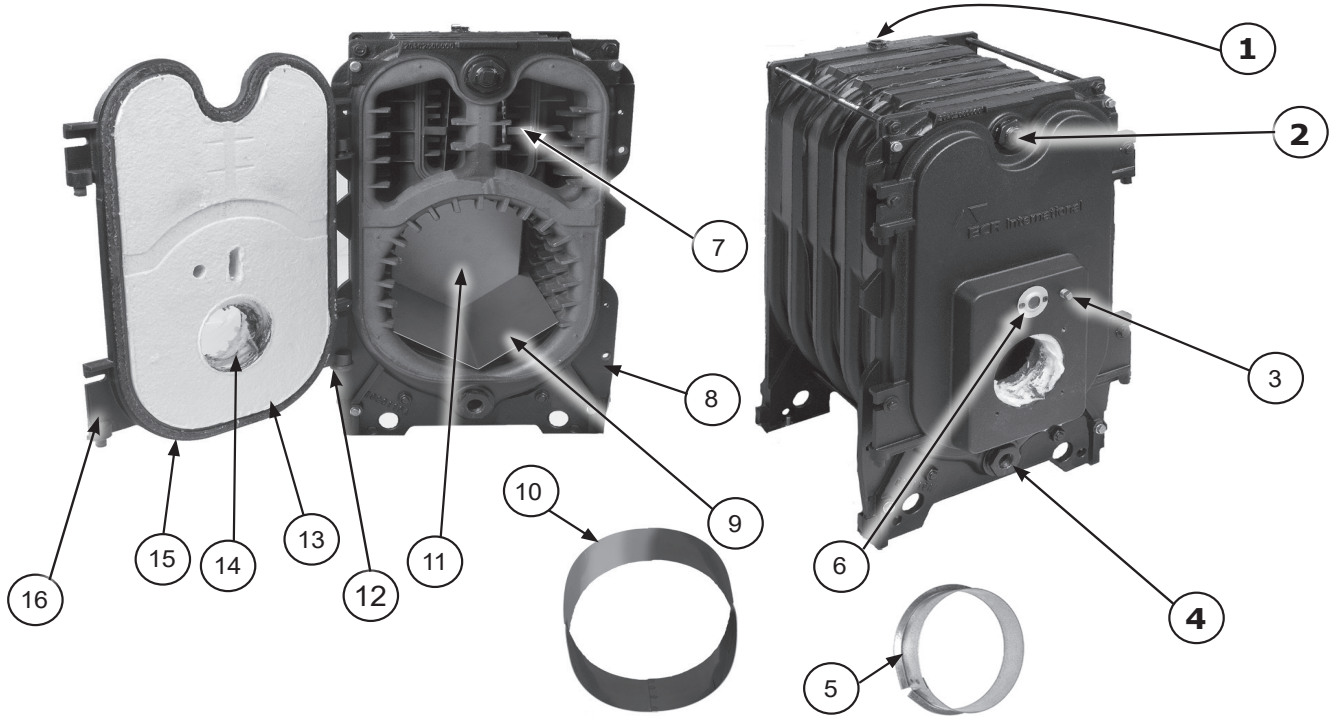
Manufactured by:
ECR International Inc.
2201 Dwyer Avenue, Utica, NY 13501
Tel. 800 325 5479
www.ecrinternational.com
PN 240013423 REV. A [08/15/2021]

JACKET



| Item | Description | 4 Section | 5 Section | 6 Section | 7 Section |
|------|---------------------------------|-------------|-------------|-------------|-------------|
| | Complete Jacket Assembly | 550002396 | 550002397 | 550002398 | 550002399 |
| 1 | Top Panel | 109008609AC | 109008610AC | 109008611AC | 109008612AC |
| 2 | Rear Panel, Upper | 109008622 | | | |
| 3 | Rear Panel, Lower | 109008624 | | | |
| 4 | Right Side Panel | 109008668AC | 109008669AC | 109008670AC | 109008671AC |
| 5 | Support Bracket, Lower Rear | 109008628 | | | |
| 6 | Support Bracket, Lower Front | 109008625 | | | |
| 7 | Front Panel | 109008621AC | | | |
| 8 | Left Side Panel | 109008672AC | 109008673AC | 109008674AC | 109008675AC |
| 9 | Support Bracket, Upper Front | 109008623 | | | |
| 10 | Support Bracket, Upper Rear | 109008627 | | | |

HEAT EXCHANGER



| Item | Description | 4 Section | 5 Section | 6 Section | 7 Section |
|-----------|--|------------------|------------------|------------------|------------------|
| 8a | Chimney Vent Heat Exchanger Block (Includes Items 1,2,4,5,6,11,12,13,14,15,16) | 550003106 | 550003107 | 550003108 | 550003109 |
| 8b | Direct Vent Heat Exchanger Block (Includes Items 1,2,4,6,11,12,13,14,15,16) | 550003110 | 550003111 | 550003112 | N/A |
| 1 | Control Well in Block | 240007709 | | | |
| 2 | 1¼" x ¼" Bushing (for Temperature Pressure Gauge) | 240009346 | | | |
| 4 | 1¼" x ¾" Bushing (for Drain Valve) | 1060003 | | | |
| 5 | 5" Flue Collar (Used on 4/5/6 Section Chimney Vent Blocks Only) | 109007382 | 109007382 | 109007382 | N/A |
| 6 | Sight Glass Replacement Kit | 550001932 | | | |
| 11 | Target Wall Insulation* | 240007302 | | | |
| 12 | Door Hinge Kit (2 hinges included) | 550001933 | | | |
| 13 | Door insulation (hard)* (Front Door) | 240007300 | | | |
| 14 | Door Insulation (soft)* (Inner Burner Door) | 240007301 | | | |
| 15 | Door Rope Gasket* | 240007390 | | | |
| 16 | Burner door with insulation & rope gasket | 240007305 | | | |

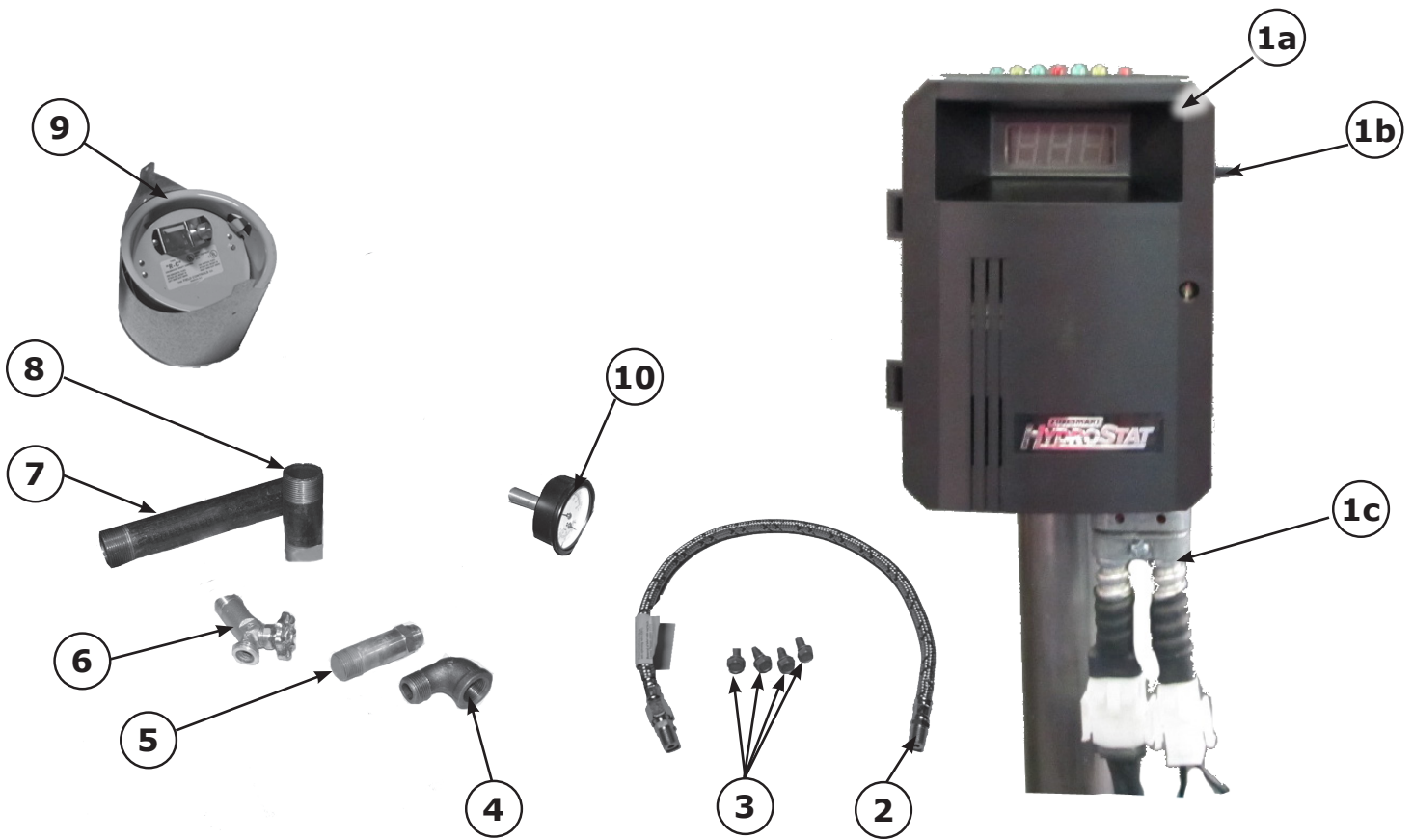
Items below Ordered Separately

| | | | | | | |
|-----|-----------------------------------|---------------|---------------|---------------|---------------|---------------|
| 3 | ¼" NPT Plug | 240005463 | | | | |
| 7a | Flue Baffle (Chimney Vent) | Right | (6) 109010401 | (6) 109010438 | (6) 109010440 | (6) 109010442 |
| | | Left | (6) 109010402 | (6) 109010437 | (6) 109010439 | (6) 109010441 |
| 7b | Flue Baffle (Direct Vent) | (2) 109007385 | (2) 109007386 | (2) 109007387 | N/A | |
| 9 | V-Shaped Liner | N/A | N/A | 109007316 | 109007315 | |
| 10 | Oval Liner | 109007317 | N/A | N/A | N/A | |
| N/S | Heat Exchanger Insulation Center* | 420001080 | 420001081 | 420001082 | 420001083 | |
| N/S | Heat Exchanger Insulation Rear* | 420001079 | | | | |

N/S = Not Shown

* WARNING: This product contains fiberglass and/or ceramic fibers. Possible cancer hazard. To avoid this possible hazard, avoid breathing fiberglass wool & ceramic fiber dust. May cause irritation to skin, eyes & respiratory tract.

STANDARD CONTROLS & ACCESSORIES



| Item | Description | Part No. |
|------|---|---------------------------------------|
| 1 | Limit Control Assembly 3002009 Includes 1a thru 1d | 1a Limit Control 240009347 |
| | | 1b Limit Sensor Wire 48" 240007708 |
| | | 1c Wire Harness, Control 240009174 |
| | | *1d Wire Harness, Circulator 37519501 |
| 2 | 24" Flexible Oil Line | 240007147 |
| 3 | Burner Attachment Bolts - 5/16-18 X 3/4" LG (Qty 4) | 240007237 |
| 4 | 3/4" Street Elbow | 14693040 |
| 5 | Limit Control Mounting Plug | 240007734 |
| 6 | 3/4" Drain Valve | 240009323 |
| 7 | 1 1/4" x 10" Adapter | 14607012 |
| 8 | 1 1/4" x 6" Adapter | 14607017 |
| 9 | Barometric Draft Control, 5" (4 thru 6 section) | 240007166 |
| | Barometric Draft Control, 6" (7 Section only) | 14620007 |
| 10 | Temperature / Pressure Gauge | 240009345 |
| N/S | Control Well Grommet for Sensor Wire | 240007713 |
| N/S | 1 1/4" x 1 1/4" x 3/4" Tee | PF05901 |
| N/S | 1 1/4" x 3/4" x 1 1/4" Tee | 1510001 |
| N/S | 3/4" Safety Relief Valve (30 PSI) | VR-001.01 |

N/S = Not Shown

OIL BURNERS

| Replacement Burners | | | | |
|--|-------------|-------------|-------------|-------------|
| Description | 4075 | 4090 | 5100 | 5120 |
| Oil Burner - Beckett Chimney Vent w/o Cover Model AFG | 240007232 | 240013303 | 240013393 | 240013395 |
| Oil Burner - Beckett Chimney Vent with Cover Model AFG | 240007144 | 240013302 | 240013394 | 240013396 |
| Oil Burner - Beckett Direct Vent Model NX | 550004238 | N/A | 240007532 | N/A |
| Oil Burner - Riello Chimney Vent Model 40F | 550003548 | 550004237 | 550004287 | 550004290 |
| Oil Burner - Riello Direct Vent Model 40BF | 550004239 | N/A | 550003563 | N/A |
| Oil Burner - Carlin Chimney Vent Model EZ-LF | 240013299 | 240013299 | 240013406 | 240013407 |

| REPLACEMENT BURNERS - CONTINUED | | | | |
|--|-------------|-------------|-------------|-------------|
| Description | 6130 | 6145 | 7165 | 7180 |
| Oil Burner - Beckett Chimney Vent w/o Cover Model AFG | 240013397 | 240013399 | 240013401 | 240013403 |
| Oil Burner - Beckett Chimney Vent with Cover Model AFG | 240013398 | 240013400 | 240013402 | 240013404 |
| Oil Burner - Beckett Direct Vent Model NX | 240007533 | N/A | N/A | N/A |
| Oil Burner - Riello Chimney Vent Model 40F | 550004288 | 550004291 | 550004289 | 550004292 |
| Oil Burner - Riello Direct Vent Model 40BF | 550003566 | N/A | N/A | N/A |
| Oil Burner - Carlin Chimney Vent | 240013408 | 240013409 | 240013410 | 240013411 |

OIL BURNERS

| BECKETT BURNER REPLACEMENT PARTS - AFG & NX | |
|--|-----------|
| CAD Cell (AFG & NX) | CD-001.01 |
| Power Cord (AFG & NX) | 240007129 |
| Oil Pump Solenoid | RP04601 |
| Pump, Oil Clean Cut | 29688 |
| Burner Motor 21805U | 1050008 |
| Beckett Burner Cover Kit | 240007393 |
| <i>See Burner Manual for illustrations. When ordering, use the above part numbers.</i> | |
| BECKETT BURNER REPLACEMENT PARTS - AFG ONLY | |
| Combustion Air Tube With Custom Flange, AFG70MQASN w/L2 Head | 240007638 |
| Combustion Air Tube With Custom Flange, AFG70MKAQN w/V1 Head | 240007639 |
| Igniter & Base Plate (Replacement Burner) | 1050007 |
| Drawer Assembly, (incl. 3-3/8U Static Plate & L2 head Igniter) | 240007640 |
| Drawer Assembly, (incl. 2-3/4M Static plate, V1 head Igniter) | 240007641 |
| Burner Control, 7505P1515 Beckett Genisys (Pre 15s Post 15s) | 240008818 |
| Burner Gasket with keyhole | 240007392 |
| L2 Head | 240007645 |
| V1 Head | 240006446 |
| 3-3/8U Static Plate | BN08102 |
| 2-3/4M Static Plate | 240007646 |
| BECKETT BURNER REPLACEMENT PARTS - NX ONLY | |
| Combustion air tube with custom flange, NX70LC | 240007772 |
| Combustion air tube with custom flange, NX70LD | 240007773 |
| Igniter & Base Plate | 240007774 |
| Drawer Assembly (incl. Static Plate, Press Sensor Tube, Igniter, 6 Slot NX Head) | 240007775 |
| Drawer Assembly (incl. Static Plate, Press Sensor Tube, Igniter, 9 Slot NX Head) | 240007776 |
| Burner Control 7505P152M Beckett Genisys (Pre 15s Post 2m) | 240007777 |
| Burner Gasket with Keyhole | 240007778 |
| Head/Leg Assembly, 6-slot NX1 | 240007779 |
| Head/Leg Assembly, 9-slot NX2 | 240007780 |
| Air Inlet Adapter, Modified | 240007781 |
| Pressure Switch 2198501 (0.65" wc) | 240007782 |
| Pressure Switch 21985 (0.85" wc) | 240007783 |
| Head Adjustment Mechanism | 240007784 |

REPLACEMENT PARTS

| CIRCULATORS | |
|----------------------------|-----------|
| Circulator - Grundfos UP15 | CI-006.01 |
| Circulator - Taco 007e | 240011850 |

KITS

| Description | Part No. |
|---|-----------|
| Manual Reset Temperature Limit Kit | 550001929 |
| Manual Reset High Limit Control | 1010003 |
| Manual Reset Wire Harness | 240007127 |
| Immersion Well | 14662804 |
| 5" Vent Safety Kit (Required in Canada, USA optional) | 550004276 |
| 5" Flue Connector | 30655 |
| Wire Harness | 240011785 |
| Assembly, WMO Control Field | 240013379 |
| 6" Vent Safety Kit (Required in Canada, USA optional) | 550004275 |
| 6" Flue Connector | 30656 |
| Wire Harness | 240011785 |
| Assembly, WMO Control Field | 240013379 |
| FOR DIRECT VENT UNITS ONLY | |
| Kit, Vent Flex, 4" dia x 10' with Terminal adapter | 550004240 |
| Kit, Vent Flex, 4" dia x 15' with Terminal adapter | 550004241 |
| Kit, Vent Flex, 4" dia x 20' with Terminal adapter | 550004242 |
| Terminal Adapter (part of Vent Flex kit) | 240006914 |
| Appliance Adapter 3 Pass Oil Boiler (part of Vent Flex Kit) | 240007535 |
| Vent Terminal Oil | 28972 |
| Riser Terminal (adds 36" height) | 29231 |



2201 Dwyer Avenue, Utica, NY 13501
Tel. 800 325 5479
www.ecrinternational.com

All specifications subject to change without notice.
©2021 ECR International, Inc.