



CONDENSING GAS FIRED WALL MOUNTED BOILER

MODELS
DCB 100/125/165
DCC 115/150/205

PARTS, KITS & OPTIONAL ACCESSORIES

Ordering Instructions

Order Parts through your nearest supplier.

When ordering parts, obtain Model Number and Serial Number from data plate on your boiler.

Include following information when ordering.

Part Number _____

Part Description _____

Boiler Model Number _____

Boiler Serial Number _____



Manufactured by:
ECR International Inc.
2201 Dwyer Avenue, Utica, NY 13501
Tel. 800 325 5479
www.ecrinternational.com
PN 240013361 REV. A [07/01/2021]

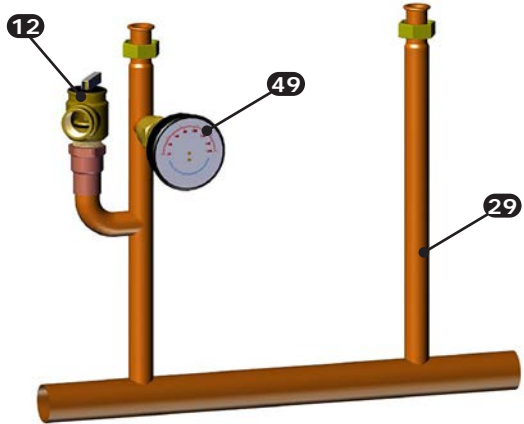
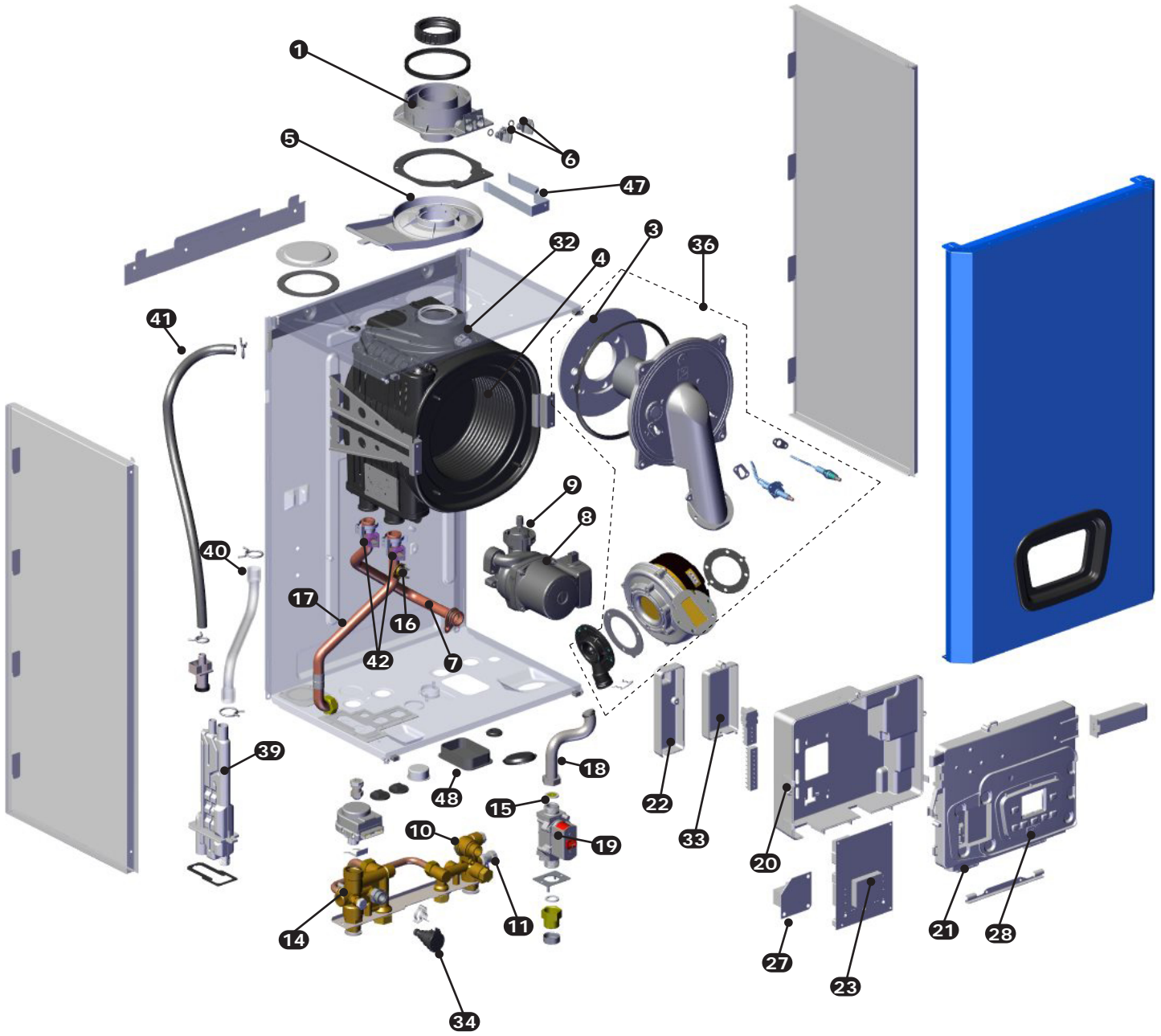
TABLE OF CONTENTS

PAGE	DESCRIPTION	MODEL SIZE					
		100	115	125	150	165	205
3	100 EXPLODED VIEW	●					
4	115 EXPLODED VIEW		●				
5	125 EXPLODED VIEW			●			
6	150 EXPLODED VIEW				●		
7	165 EXPLODED VIEW					●	
8	205 EXPLODED VIEW						●
9-11	PARTS LISTING	●	●	●	●	●	●
12	FRONT JACKET KITS	●	●	●	●	●	●
12	RIGHT SIDE JACKET KITS	●	●	●	●	●	●
12	LEFT SIDE JACKET KITS	●	●	●	●	●	●
13	HEAT EXCHANGER GASKET REPLACEMENT KITS	●	●	●	●	●	●
14	BURNER REPLACEMENT KITS	●	●	●	●	●	●
15	GAS VALVE REPLACEMENT KITS	●	●	●	●	●	●
16	SIGHT GLASS REPLACEMENT KITS	●	●	●	●	●	●
16	IGNITIER REPLACEMENT KIT	●	●	●	●	●	●
16	FLAME SENSOR REPLACEMENT KITS	●	●	●	●	●	●
17	FAN REPLACEMENT KIT	●	●	●	●		
18	FAN REPLACEMENT KIT					●	●
19	DHW PLATE REPLACEMENT EXCHANGER KITS		●		●		●
20	THREE WAY VALVE MOTOR REPLACEMENT KITS	●	●	●	●		●
21	DHW TEMPERATURE SENSOR REPLACEMENT KITS		●		●		●
21	DHW SENSOR REPLACEMENT KIT FOR INDIRECT STORAGE TANK			●		●	
22	PCB/CONTROL REPLACEMENT KIT	●	●	●	●	●	●
22	SERVICE KEY REPLACEMENT KIT	●	●	●	●	●	●
22	COMBUSTION CHAMBER CLEANING KIT	●	●	●	●	●	●
23	FLUE GASKET REPLACEMENT KITS	●	●	●	●	●	●
23	FLUE ADAPTER REPLACEMENT KITS			●	●	●	●
24	FLUE ADAPTER REPLACEMENT KITS	●	●				
24	SEALS, CLIPS, ETC, KIT	●	●	●	●	●	●

Note: Individual items included with Kits may be ordered seperatly.

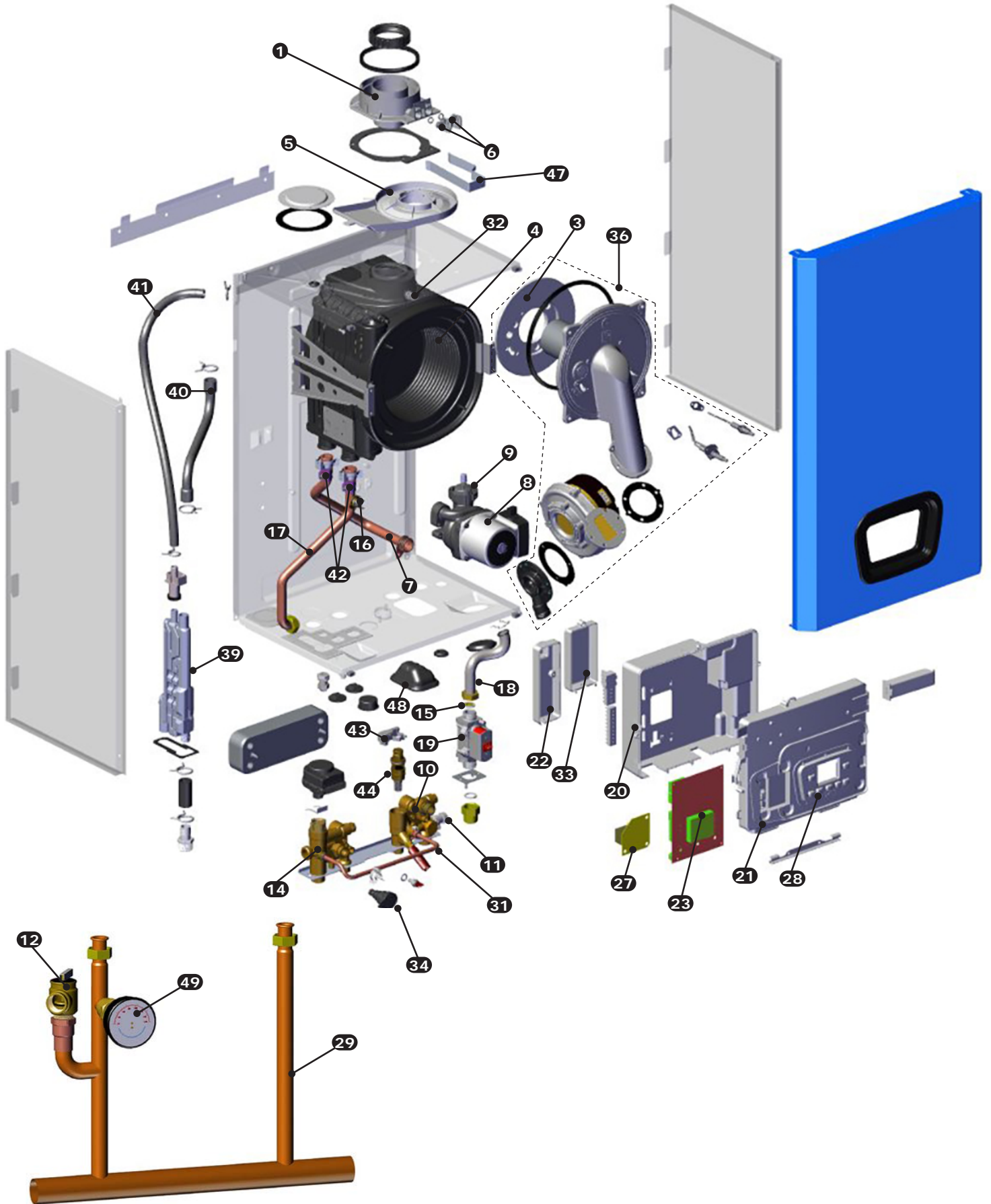
PARTS AND ACCESSORIES

DCB-100



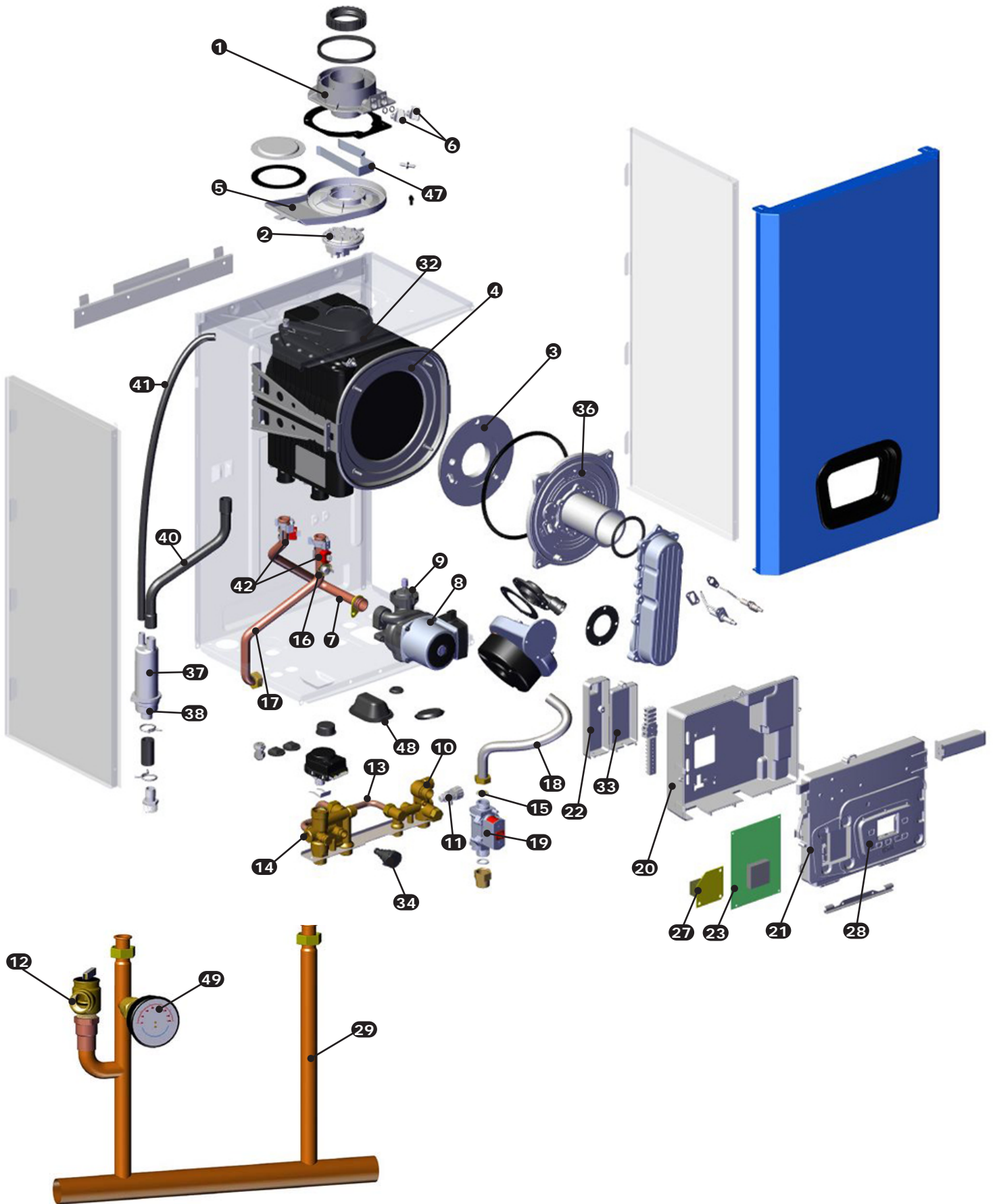
PARTS AND ACCESSORIES

DCC-115



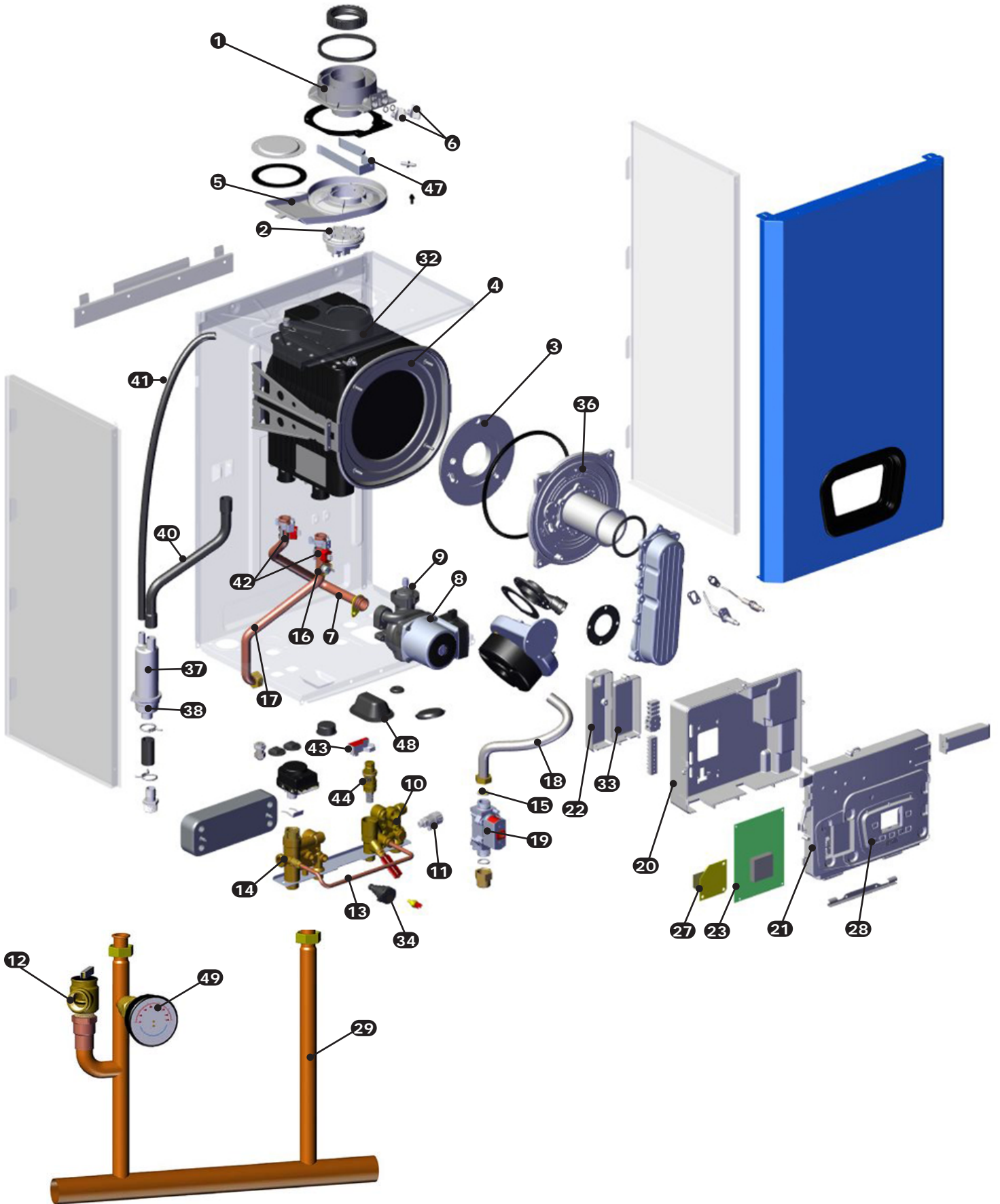
PARTS AND ACCESSORIES

DCB-125



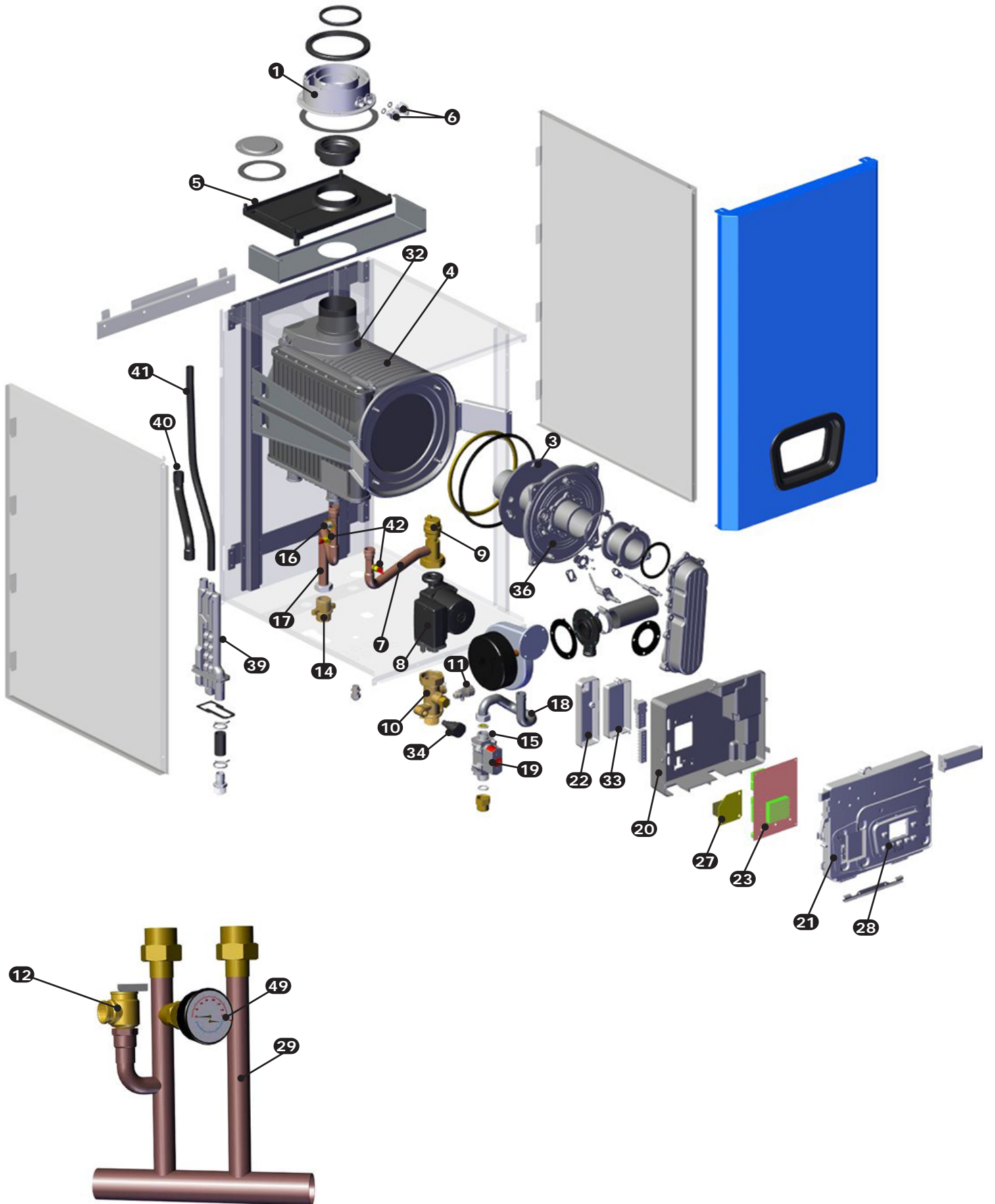
PARTS AND ACCESSORIES

DCC-150



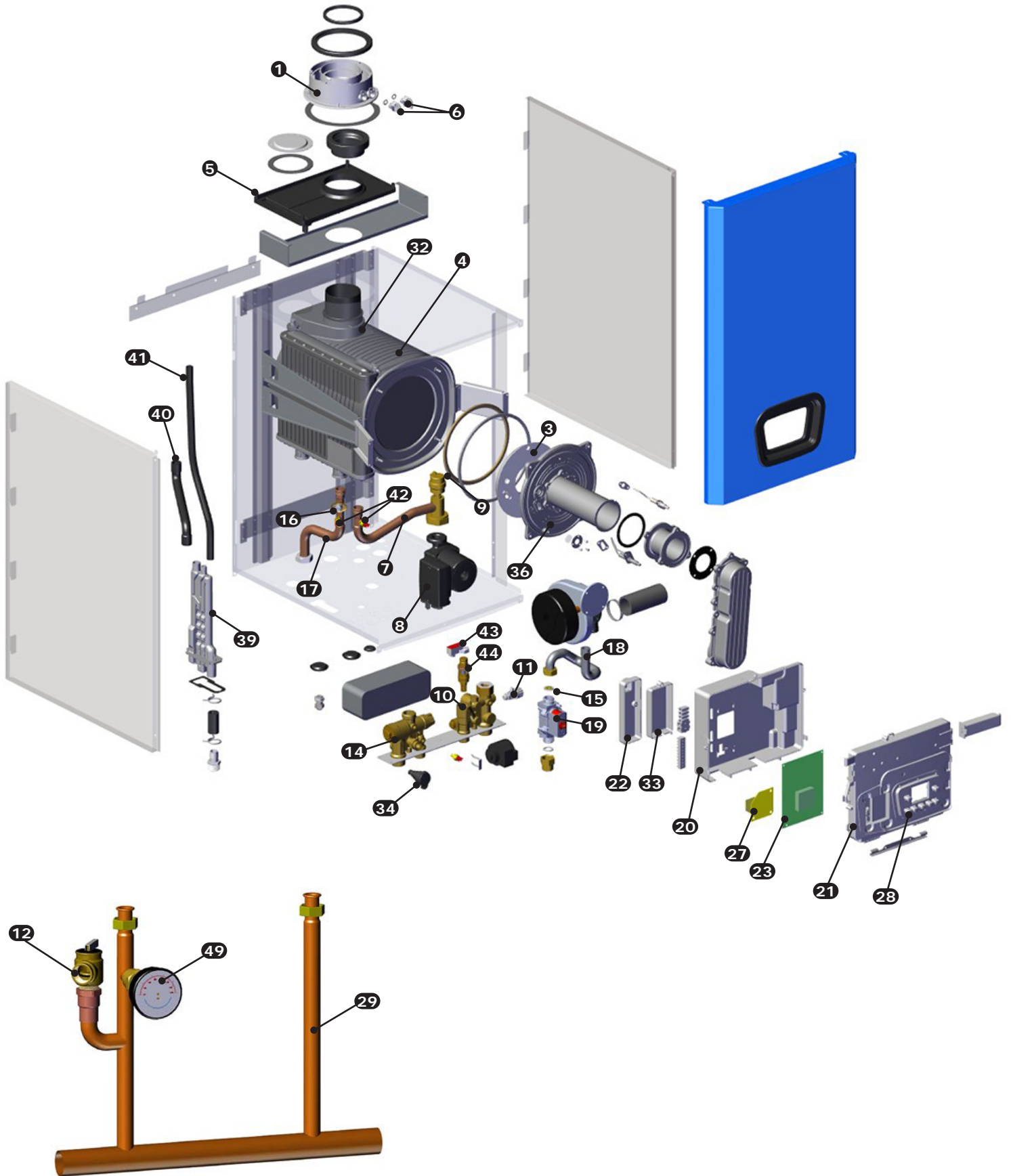
PARTS AND ACCESSORIES

DCB-165



PARTS AND ACCESSORIES

DCC-205



PARTS AND ACCESSORIES

ITEM	PN	DESCRIPTION	DCC 100	DCC 115	DCB 125	DCC 150	DCB 165	DCC 205
1	BD710107504	FLUE ADAPTOR 100/115	●	●				
	BD711085102V	FLUE ADAPTOR 125/150			●	●		
	BD000005670522	FLUE ADAPTER 165/205					●	●
2	BD000005679722	FLUE PRESSURE SWITCH 400-350PA			●	●		
3	BD767600801V	INSULATION PANEL (HEAT EXCHANGER DOOR)	●	●				
	BD710111601V	HEAT EXCHANGER DOOR INSULATION			●	●	●	●
4	BD767081702	HEAT EXCHANGER 115	●	●				
	BD711447001V	HEAT EXCHANGER 125/150			●	●		
	BD767801501V	HEAT EXCHANGER 165/205					●	●
*	BD710283700	HEAT EXCHANGER REAR INSULATION	●	●	●	●	●	●
5	BD710282302V	CONDENSING WATER COLLECTOR	●	●	●	●		
	BD767553501V	CONDENSING WATER COLLECTOR					●	●
6	BD7718578	TEST POINT PLUG	●	●	●	●	●	●
7	BD711425802V	PUMP/EXCHANGER PIPE ASSEMBLY	●	●	●	●		
	BD766949001V	PUMP/EXCHANGER PIPE ASSEMBLY						●
	BD767944701V	PUMP/EXCHANGER PIPE ASSEMBLY					●	
8	BD710786502V	PUMP UPR 120V	●	●	●	●		
	BD722354801V	PUMP UPR 120V					●	●
9	BD710493600V	AIR VENT PUMP	●	●	●	●		
	BD710715302V	AIR VENT PUMP					●	●
10	550004282	KIT,RET BLK,115		●				
	550004283	KIT,RET BLK,150				●		
	550004284	KIT,RET BLK,125	●		●			
	240012164	RETURN BLOCK ASSY						●
	BD711238101V	RETURN BLOCK ASSY					●	
11	BD710188101V	DRAIN TAP	●	●	●	●	●	●
12	VR-001.01	SAFETY VALVE ASSY 30 PSI	●	●	●	●	●	●
13	BD710267001V	BY-PASS PIPE ASSY	●		●			
14	550003878	KIT,SPLY BLCK/3WV,115,150		●		●		
	550003877	KIT,SUPPLY BLOCK/3WV,125	●		●			
	550003879	KIT,SUPPLY BLOCK/3WV,205						●
	BD711237001V	SUPPLY BLOCK ASSY 165 (NPL,G1"X1"NPT)					●	
15	BD7104583	GAS NOZZLE 4.6 MM ORIFICE	●	●				
	BD710458501V	GAS NOZZLE 5.8 MM ORIFICE			●	●		
	BD768414801V	GAS NOZZLE 9MM ORIFICE					●	●
16	BD768155501V	TEMP SENSOR / HIGH LIMIT	●	●				
	BD710626001V	TEMP SENSOR / HIGH LIMIT			●	●	●	●
17	240013233	PIPE HTEX SUPPLY	●	●				
	BD711425902V	PIPE HTEX SUPPLY			●	●		
	BD766948901V	PIPE HTEX SUPPLY						●
	BD767944601V	PIPE HTEX SUPPLY					●	
* NOT SHOWN								

PARTS AND ACCESSORIES

ITEM	PN	DESCRIPTION	DCC 100	DCC 115	DCB 125	DCC 150	DCB 165	DCC 205
18	BD711007101V	FLEXIBLE GAS PIPE	●	●	●	●		
	BD769059001V	FLEXIBLE GAS PIPE					●	●
19	BD766630601V	GAS VALVE B&P SGV100	●	●	●	●	●	●
*	240013119	MIXER 100/115 PL30	●	●				
	BD710458104V	MIXER 125/150 PL30			●	●		
	BD7731657	MIXER 165/205 B&P,402					●	●
20	BD711075102V	CONTROL PANEL COVER REAR	●	●	●	●	●	●
21	BD711074801V	CONTROL PANEL COVER FRONT	●	●	●	●	●	●
22	BD711075601V	TERMINAL BLOCK COVER	●	●	●	●	●	●
23	550003746	KIT, RPLMT, CTRL, 0-10V	●	●	●	●	●	●
*	BD000005688441	TERMINAL BLOCK	●	●	●	●	●	●
*	BD5405340V	FUSE HOLDER	●	●	●	●	●	●
*	BD8422730V	FUSE 3,15A 250V	●	●	●	●	●	●
*	BD711265102V	120V INTERFACE BOARD WIRE HARNESS	●	●	●	●	●	●
27	BD5677892	120V INTERFACE BOARD	●	●	●	●	●	●
28	BD710126301V	7 BUTTON KEYPAD	●	●	●	●	●	●
29	550003365	MANIFOLD CONNECTION ASSEMBLY		●		●		
	550003366	MANIFOLD CONNECTION ASSEMBLY	●		●			
	240012978	MANIFOLD CONNECTION ASSEMBLY						●
	240011771	MANIFOLD CONNECTION ASSEMBLY					●	
*	BD000005643331	GAS SHUTOFF VALVE	●	●	●	●	●	●
31	BD711052301V	FILLING PIPE		●		●		
32	BD711180100	NTC SENSOR FLUE 20K Ω	●	●	●	●	●	●
33	BD711075801V	COVER CLIP-IN	●	●	●	●	●	●
34	BD710109101V	PRESSURE SENSOR WATER	●	●	●	●	●	●
36	550004161	HEAT EXCHANGER ALUMINUM DOOR	●	●				
	BD711407900	HEAT EXCHANGER ALUMINUM DOOR			●	●		
	BD766847401V	HEAT EXCHANGER ALUMINUM DOOR					●	●
37	BD710016703V	SIPHON BODY (CONDENSATE COLLECTION)			●	●		
38	BD710522301V	CONDENSATE TRAP BOWL			●	●		
39	BD7771640	CONDENSATE TRAP	●	●				
	BD765674901V	CONDENSATE TRAP					●	●
*	BD7771646	CONDENSATE SENSOR	●	●				
40	240013225	HOSE EXCHANGER / COND TRAP	●	●				
	BD710066102V	HOSE EXCHANGER / COND TRAP			●	●		
	BD766859301V	HOSE EXCHANGER / COND TRAP					●	●
41	240013224	HOSE CONDENSATE TRAY TO TRAP	●	●				
	BD710066001V	HOSE CONDENSATE TRAY TO TRAP			●	●		
	BD766859801V	HOSE CONDENSATE TRAY TO TRAP					●	●
42	BD722143801V	TEMPERATURE SENSOR - CLIP ON 10K Ω	●	●	●	●		
	550003159	TEMPERATURE SENSOR - WELL MOUNT 10K Ω					●	●
43	BD710189401V	FLOW DETECTOR		●		●		●
* NOT SHOWN								

PARTS AND ACCESSORIES

ITEM	PN	DESCRIPTION	DCC 100	DCC 115	DCB 125	DCC 150	DCB 165	DCC 205
44	BD7726370	INLET FILTER		●				
	BD767486200	INLET FILTER				●		
	240012782	INLET FILTER						●
*	BD710117601V	TERMINAL BLOCK (6-POSITION)	●	●	●	●	●	●
*	109009874	WALL MOUNT BRACKET	●	●	●	●	●	●
47	BD711085501V	FLUE SUPPORT BRACKET	●	●	●	●		
48	BD710156201V	SEAL FILLING TAP		●		●		
	BD721583002V	SEAL FILLING TAP	●		●			
*	BD710117901V	TERMINAL BLOCK (10-POSITION)	●	●	●	●	●	●
49	1260006SP	PRESSURE/TEMPERATURE GAUGE	●	●	●	●	●	●
*	240011392	PLUG, 49MM	●	●	●	●		
WIRING								
*	BD000008417651	POWER CABLE UL-CSA	●	●	●	●	●	●
*	BD710993801V	SPARK GROUND CABLE X2	●	●	●	●	●	●
*	240013276	CONDENSATE TRAP TO GROUND LUG	●	●				
*	BD7771648	FLAME SENSOR CABLE X1	●	●				
*	BD710127501V	FLAME SENSOR CABLE X1			●	●	●	●
*	BD710992901V	REMOTE CONTROL CABLE (OPEN THERM) X31	●	●	●	●	●	●
*	BD710993001V	GAS VALVE POWER CABLE X36	●	●	●	●	●	●
*	BD710993101V	LOW VOLTAGE HARNESS X22		●		●		
*	BD710993901V	LOW VOLTAGE HARNESS X22	●		●			
*	BD768189701V	LOW VOLTAGE HARNESS X22					●	
*	BD767076201V	LOW VOLTAGE HARNESS X22						●
*	BD710993201V	FAN PWM HARNESS X23	●	●	●	●		
*	BD767084501V	FAN PWM HARNESS X23					●	●
*	BD710993301V	LINE VOLTAGE HARNESS (3 WAY VALVE/PUMP/FAN) X11/X13	●	●	●	●		
*	BD768348801V	FAN POWER CABLE X11					●	●
*	BD768348701V	PUMP HARNESS X13						●
*	BD710993405V	PCB POWER CABLE X3/X10	●	●	●	●	●	●
*	BD7732244	OUTDOOR/0-10V/DHW/FLUE SENSOR HARNESS X20	●		●			
*	BD7676183	OUTDOOR/0-10V/DHW/FLUE SENSOR HARNESS X20		●		●		
*	240012775	OUTDOOR/0-10V/DHW/FLUE SENSOR HARNESS X20						●
*	240012776	OUTDOOR/0-10V/TANK/FLUE SENSOR HARNESS X20					●	
*	BD7771643	CABLE SAFETY THERMOSTAT X37	●	●				
*	BD710993702V	CABLE SAFETY THERMOSTAT X37			●	●		
*	BD768243201V	CABLE SAFETY THERMOSTAT X37					●	●
*	BD711065801V	NTC FLUE SENSOR CABLE	●	●	●	●	●	●
*	BD711250601V	IGNITION CABLE	●	●	●	●	●	●
* NOT SHOWN								

JACKET REPLACEMENT KITS

JACKET KITS

Kit 550003161 - Front Jacket Replacement 100 - 205 - Includes:							
DESCRIPTION	QTY PER	100	115	125	150	165	205
FRONT PANEL	1	●	●	●	●	●	●
FRONT PANEL INSULATION	1	●	●	●	●	●	●
RIVIT 1/8"	1	●	●	●	●	●	●
BEZEL	1	●	●	●	●	●	●
NUT,PUSH,1/4"X17/32"	1	●	●	●	●	●	●
LOGO	1	●	●	●	●	●	●

100/115/125/150

Kit 550003165 - Right Side Jacket Replacement 100 - 150 - Includes:					
DESCRIPTION	QTY PER	100	115	125	150
RIGHT SIDE PANEL	1	●	●	●	●

Kit 550003163 - Left Side Jacket Replacement 100 - 150 - Includes:					
DESCRIPTION	QTY PER	100	115	125	150
LEFT SIDE PANEL	1	●	●	●	●

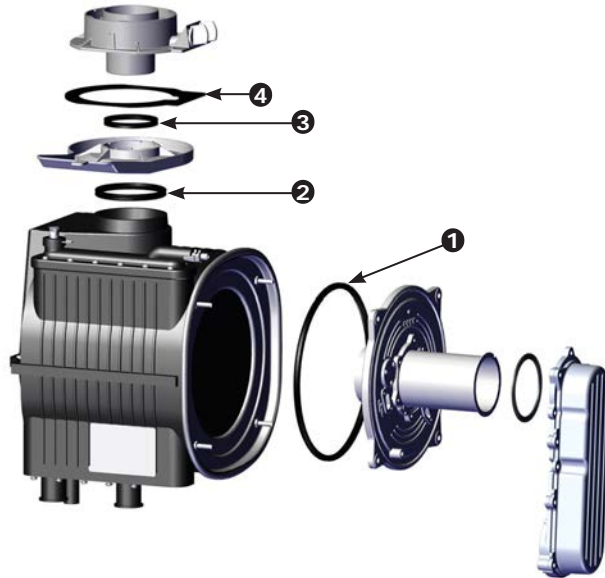
165/205

Kit 550003478 - Right Side Jacket Replacement 165/205 - Includes:			
DESCRIPTION	QTY PER	165	205
RIGHT SIDE PANEL	1	●	●

Kit 550003477 - Left Side Jacket Replacement 165/205 - Includes:			
DESCRIPTION	QTY PER	165	205
LEFT SIDE PANEL	1	●	●

HEAT EXCHANGER GASKET REPLACEMENT KITS

100/115/125/150

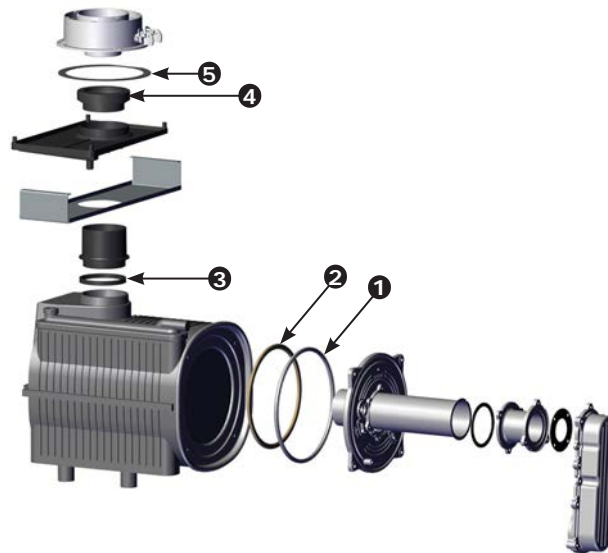


125/150 shown

Kit 550003156 - Heat Exchanger Gasket Replacement 100/115/125/150 - Includes:

POS	PN	DESCRIPTION	QTY PER	100	115	125	150
1	BD710111502V	COMBUSTION CHAMBER GASKET	1	●	●	●	●
2	BD710108001V	GASKET WITH DOUBLE LIP (CONDENSATE TRAY)	1	●	●	●	●
3	BD000005411030	GASKET (WATER TRAY TO HEAT EXCHANGER)	1	●	●	●	●
4	BD710107601V	FLUE ADAPTER GASKET	1	●	●	●	●
-	240011402	INSTRUCTIONS	1	●	●	●	●

165/205



Kit 550003458 - Heat Exchanger Gasket Replacement 165/205 - Includes:

POS	PN	DESCRIPTION	QTY PER	165	205
1	BD722003801V	COMBUSTION CHAMBER GASKET	1	●	●
2	BD000005212781	ROPE GASKET	1	●	●
3	BD000005411030	GASKET (WATER TRAY TO HEAT EXCHANGER)	1	●	●
4	BD767373901V	CONDENSATE TRAY SEAL	1	●	●
5	BD000005410712	FLUE ADAPTER GASKET	1	●	●
-	240012082	INSTRUCTIONS	1	●	●

* NOT SHOWN

BURNER REPLACEMENT KITS

100/115



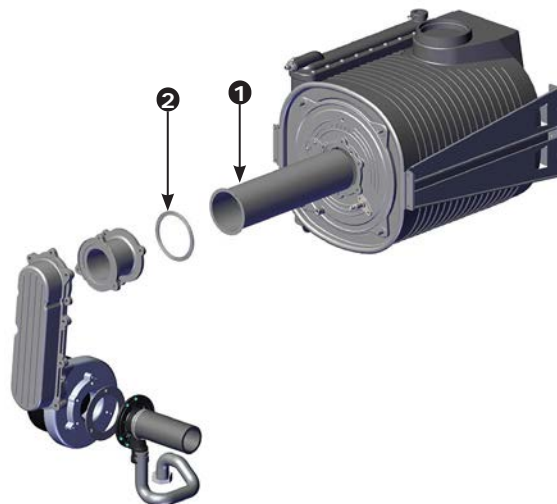
Kit 550004161 - Burner Replacement 100/115 - Includes:

POS	PN	DESCRIPTION	QTY PER	100	115
1	BD7771620	BURNER ASSEMBLY	1	●	●
-	240013242	INSTRUCTIONS	1	●	●

125/150



165/205



Kit 550003155 - Burner Replacement Kit 125/150 Includes:

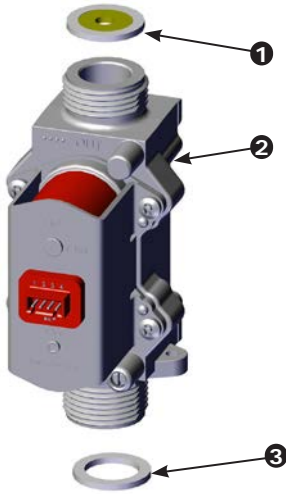
POS	PN	DESCRIPTION	QTY PER	125	150
1	BD7728712	BURNER	1	●	●
2	BD711408002V	BURNER GASKET	1	●	●
-	240011401	INSTRUCTIONS	1	●	●

Kit 550003456 - Burner Replacement 165/205 Includes:

POS	PN	DESCRIPTION	QTY PER	165	205
1	BD769578001V	55 KW BURNER	1	●	●
2	BD711408002V	BURNER GASKET	1	●	●
-	240011401	INSTRUCTIONS	1	●	●

GAS VALVE REPLACEMENT KIT

100/115/125/150



Kit 550004162 - Gas Valve Replacement 100/115 - Includes:

POS	PN	DESCRIPTION	QTY PER	100	115
1	BD7104583	GAS ORIFICE 4.6MM DIA	1	●	●
2	BD766630601V	GAS VALVE	1	●	●
3	BD710113001V	GASKET G3/4 17X24X2	1	●	●
*	BD710039501V	HYDRAULIC GROUP GASKET	1	●	●
*	BD710090801V	SCREW M 5X12	2	●	●
-	240013243	INSTRUCTIONS	1	●	●
* NOT SHOWN					

Kit 550003535 - Gas Valve Replacement 125/150 - Includes:

POS	PN	DESCRIPTION	QTY PER	125	150
1	BD710458501V	GAS ORIFICE 5.8MM DIA	1	●	●
2	BD766630601V	GAS VALVE	1	●	●
3	BD710113001V	GASKET G3/4 17X24X2	1	●	●
*	BD710090801V	SCREW M 5X12	2	●	●
*	BD710039501V	HYDRAULIC GROUP GASKET	1	●	●
-	240012264	INSTRUCTIONS	1	●	●
* NOT SHOWN					

165/205

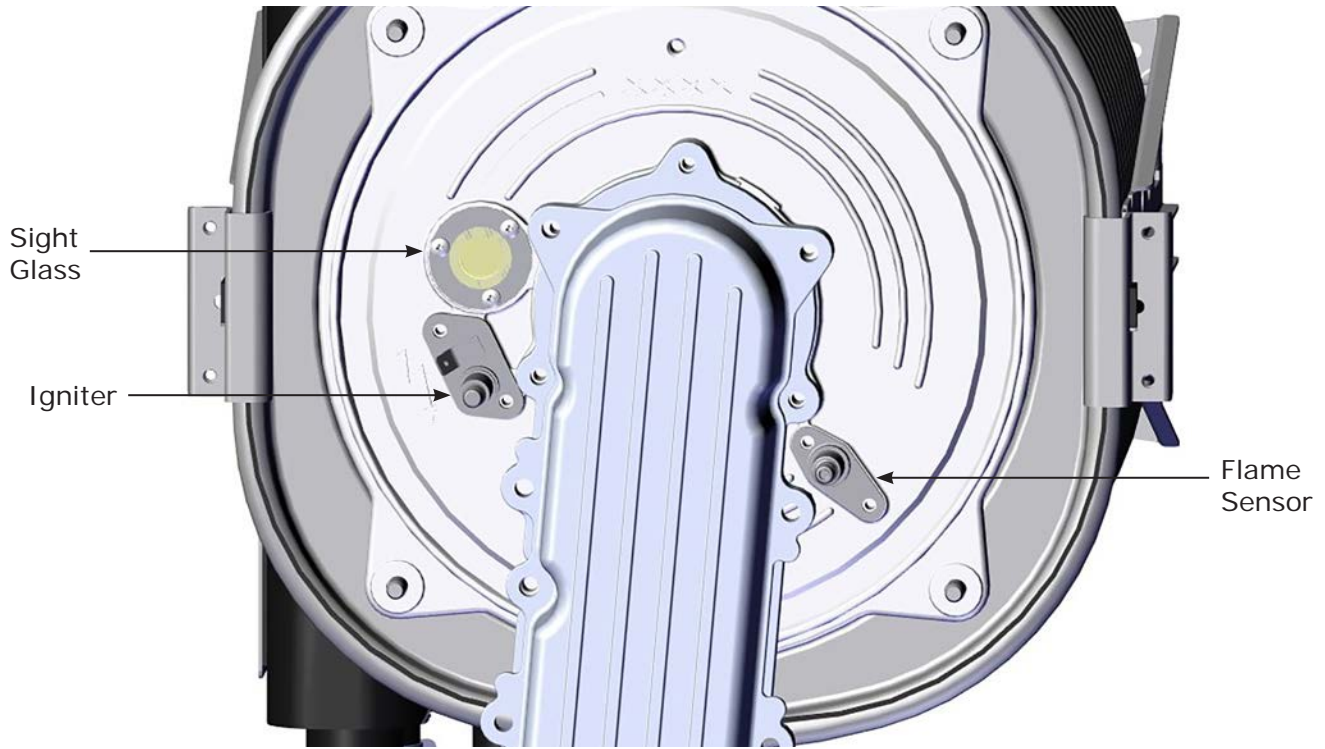


Kit 550003536 - Gas Valve Replacement 165/205 - Includes:

POS	PN	DESCRIPTION	QTY PER	165	205
1	BD768414801V	GAS NOZZLE 9MM DIA	1	●	●
2	BD766630601V	GAS VALVE	1	●	●
3	BD721567101V	GASKET FOR GAS VALVE	1	●	●
4	BD710113001V	GASKET G3/4 17X24X2	1	●	●
*	BD710090801V	SCREW M5X12 TCEI 8.8	2	●	●
-	240012265	INSTRUCTIONS	1	●	●
* NOT SHOWN					

SIGHT GLASS, FLAME SENSOR, AND IGNITER REPLACEMENT KITS

100/115/125/150/165/205



Kit 550003157 - Sight Glass Replacement - Includes:

PN	DESCRIPTION	QTY PER	100	115	125	165	150	205
BD710112202V	SIGHT GLASS GASKET	1	●	●	●	●	●	●
BD710112101V	SIGHT GLASS	1	●	●	●	●	●	●
240011403	INSTRUCTIONS	1	●	●	●	●	●	●

Kit 550003152 - Igniter Replacement - Includes:

PN	DESCRIPTION	QTY PER	100	115	125	165	150	205
BD711010702V	IGNITER	1	●	●	●	●	●	●
BD710185302V	IGNITER GASKET	1	●	●	●	●	●	●
240012293	3MM WRENCH	1	●	●	●	●	●	●
240011398	INSTRUCTIONS	1	●	●	●	●	●	●

Kit 550003151 - Flame Sensor Replacement - Includes:

PN	DESCRIPTION	QTY PER	100	115	125	165	150	205
BD711010802V	FLAME SENSOR	1	●	●	●	●	●	●
BD710185201V	FLAME SENSOR GASKET	1	●	●	●	●	●	●
240012293	3MM WRENCH	1	●	●	●	●	●	●
240011397	INSTRUCTIONS	1	●	●	●	●	●	●

FAN REPLACEMENT KIT

100/115/125/150



125/150 shown

Kit 550003154 - Replacement Fan 100/115/125/150 - Includes:

POS	PN	DESCRIPTION	QTY PER	100	115	125	150
1	BD711073902V	FAN NRG 118 115W 120V (INDUCER)	1	●	●	●	●
2	BD710042401V	VENTURI GASKET MIXER TO FAN	1	●	●	●	●
3	BD710115601V	GASKET MIXER TO AIR/GAS DUCT	1	●	●	●	●
4	BD711408002V	BURNER GASKET	1			●	●
*	BD710011401V	GAS PIPE CLIP	1	●	●	●	●
*	BD710061402V	O-RING 18X3 NBR	2	●	●	●	●
-	240011400	INSTRUCTIONS	1	●	●	●	●

* NOT SHOWN

FAN REPLACEMENT KIT

165/205

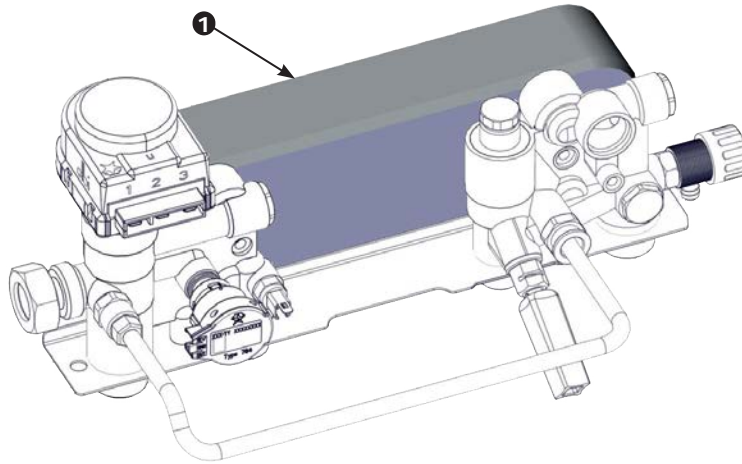


Kit 550003454 - Replacement Fan 165/205 - Includes:

POS	PN	DESCRIPTION	QTY PER	165	205
1	BD769577901V	FAN NRG 118 115W 120V	1	●	●
2	BD710042401V	VENTURI GASKET MIXER TO FAN	1	●	●
3	BD710115602V	GASKET, MIXER TO AIR/GAS DUCT	1	●	●
4	BD710114502V	SPACER EXTENSION GASKET	1	●	●
*	BD710011401V	GAS PIPE CLIP	1	●	●
*	BD710061402V	O-RING 18X3 NBR	2	●	●
-	240011400	INSTRUCTIONS	1	●	●
* NOT SHOWN					

DHW PLATE REPLACEMENT KIT WITH GASKETS

115/150



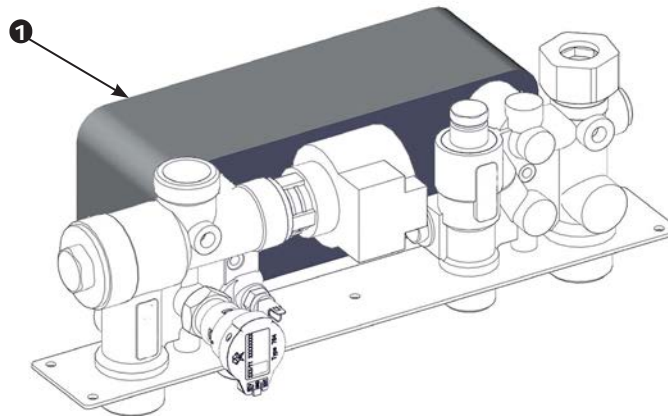
Kit 550004163 - DHW Plate Heat Exchanger Replacement with Gaskets 115 - Includes:

POS	PN	DESCRIPTION	QTY PER	115
1	BD711612401	DHW PLATE EXCHANGER 14 PLATES	1	●
*	BD722275601V	DHW PLATE EXCHANGER O-RING	4	●
-	240011399	INSTRUCTIONS	1	●
* NOT SHOWN				

Kit 550003153 - DHW Plate Heat Exchanger Replacement with Gaskets 150 - Includes:

POS	PN	DESCRIPTION	QTY PER	150
1	BD711612501V	DHW PLATE EXCHANGER 20 PLATES	1	●
*	BD722275601V	DHW PLATE EXCHANGER O-RING	4	●
-	240011399	INSTRUCTIONS	1	●
* NOT SHOWN				

205

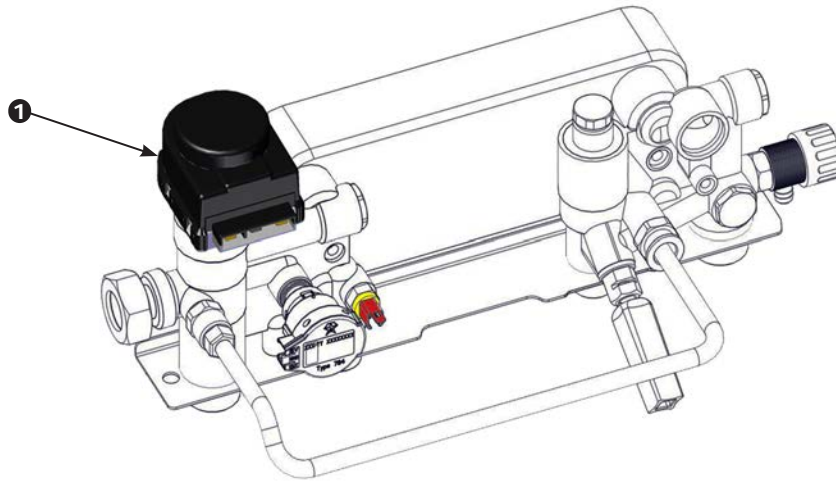


Kit 550003455 - DHW Plate Heat Exchanger Replacement with Gaskets 205 - Includes:

POS	PN	DESCRIPTION	QTY PER	205
1	240012161	DHW PLATE EXCHANGER 26 PLATES	1	●
*	BD5404520	DHW PLATE EXCHANGER GASKET	4	●
-	240011399	INSTRUCTIONS	1	●
* NOT SHOWN				

3 WAY VALVE MOTOR REPLACEMENT KITS

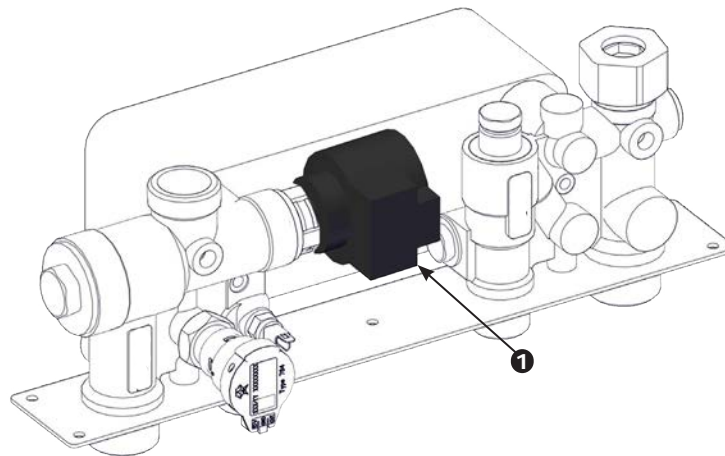
100/115/125/150



Kit 550003166 - 3 Way Valve Motor Replacement 100/115/125/150 - Includes:

POS	PN	DESCRIPTION	QTY PER	100	115	125	150
1	BD000005696391	3 WAY VALVE MOTOR 120V	1	●	●	●	●
*	BD710188501V	BD, FIXING CLIP - 3WAY VALVE MOTOR	1	●	●	●	●
-	240011406	INSTRUCTIONS	1	●	●	●	●
* NOT SHOWN							

205



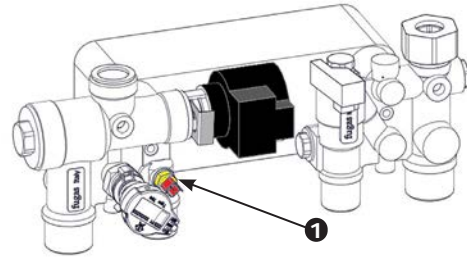
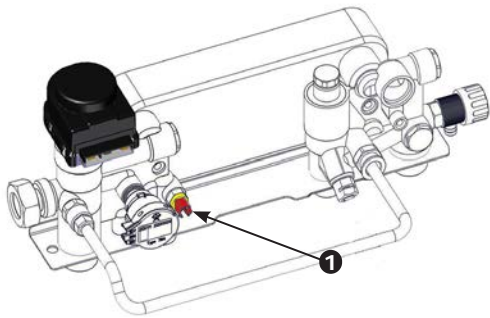
Kit 550003460- 3 Way Valve Motor Replacement 205 - Includes:

POS	PN	DESCRIPTION	QTY PER	205
1	240012162	3WV MOTOR 110V 205	1	●
*	BD710188501V	CLIP FOR MOTOR	1	●
-	240012116	INSTRUCTIONS	1	●
* NOT SHOWN				

DHW SENSOR REPLACEMENT KITS

115/150

205



Kit 550003159 - DHW Temperature Sensor Replacement Kit 115/150-205 - Includes:

POS	PN	DESCRIPTION	QTY PER	115	150	205
1	BD710831501V	NTC SENSOR 10K Ω	1	●	●	●
*	BD710189001V	GASKET 9,7X15X2	1	●	●	●
-	240011405	INSTRUCTIONS	1	●	●	●
* NOT SHOWN						

100/125/165



Kit 550003189 - Indirect Tank DHW Temperature Sensor 100/125/165 - Includes:

POS	PN	DESCRIPTION	QTY PER	100	125	165
1	KHG714076810	DHW SENSOR 10K Ω	1	●	●	●
*	240008013	SPRING CLIP	1	●	●	●
*	240010821	THERMOPASTE,1OZ	1	●	●	●
-	240011464	INSTRUCTIONS	1	●	●	●
* NOT SHOWN						

PCB/CONTROL & SERVICE KEY REPLACEMENT KITS

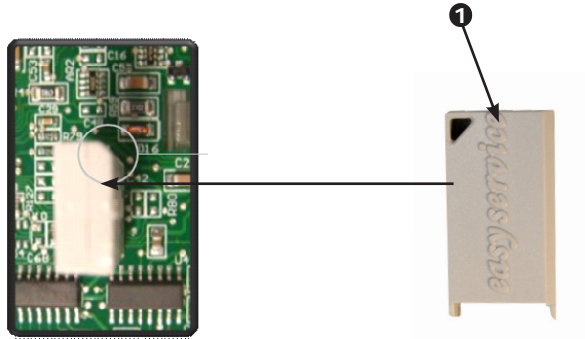
100/115/125/150/165/205



Kit 550004286 - PCB/Control Replacement w/o Key - Includes:

POS	PN	DESCRIPTION	QTY PER	100	115	125	150	165	205
1	BD7789063	BD,PCB B&P HAG004-BX04 W/KEY V2.16 0-10V	1	●	●	●	●	●	●
-	240012706	INSTRUCTIONS	1	●	●	●	●	●	●

100/115/125/150/165/205



Kit 550003191 - Service Key Replacement - Includes:

POS	PN	DESCRIPTION	QTY PER	100	115	125	150	165	205
1	BD710707701N	SERVICE KEY	1	●	●	●	●	●	●
-	240012706	INSTRUCTIONS	1	●	●	●	●	●	●

COMBUSTION CHAMBER CLEANING KIT

100/115/125/150/165/205

Kit 550003212 - Combustion Chamber Cleaning - Includes:

PN	DESCRIPTION	QTY PER	100	115	125	150	165	205
240011636	GLOVE, LATEX, BLK,LRG	4	●	●	●	●	●	●
240011637	SHIELD, HTEX, CLING	1	●	●	●	●	●	●
240011639	BAG, POLY 12"X 26"	4	●	●	●	●	●	●
240011640	BRUSH, 2"X", W HANDLE 1" STIFF BRISTLES	1	●	●	●	●	●	●
BD710111502V	COMB,CHAMBER GASKET	1	●	●	●	●		
BD722003801V	SEAL,HTEX,DOOR, FRONT	1					●	●
BD000005212781	SEAL,FBRGLS,ROPE	1					●	●
BD710061402V	O-RING 18X3 NBR	1	●	●	●	●	●	●
240011648	INSTRUCTIONS	1	●	●	●	●	●	●

FLUE ADAPTER GASKET REPLACEMENT - KITS

100/115/125/150

Kit 550003851 - Flue Adapter GASKET Replacement 100/115/125/150 - Includes:

PN	DESCRIPTION	QTY PER	100	115	125	150
BD710107601V	FLUE ADAPTER GASKET	1	●	●	●	●
BD710107401V	FLUE ADAPTER GASKET 60MM	1	●	●	●	●
BD710107101V	FLUE ADAPTER GASKET 100MM	1	●	●	●	●
BD710107801V	O-RING 8.73 X 1.78	2	●	●	●	●
BD7103005V	TWIN PIPE COVER PLATE GASKET	1	●	●	●	●
BD710300601V	TWIN PIPE COVER PLATE	1	●	●	●	●
240011404	INSTRUCTIONS	1	●	●	●	●

165/205

Kit 550003848 - Flue Adapter GASKET Replacement 165/205 - Includes:

PN	DESCRIPTION	QTY PER	165	205
BD5410850	FLUE ADAPTER GASKET 80MM	1	●	●
BD5410860	FLUE ADAPTER GASKET 125MM	1	●	●
BD000005410712	FLUE ADAPTER SEAL	1	●	●
BD710107801V	O-RING 8.73 X 1.78	2	●	●
BD7103005V	TWIN PIPE COVER PLATE GASKET	1	●	●
BD710300601V	TWIN PIPE COVER PLATE	1	●	●
240011727	INSTRUCTIONS	1	●	●

FLUE ADAPTER REPLACEMENT - KITS

125/150

Kit 550003158 - Flue Adapter Replacement 125/150 - Includes:

PN	DESCRIPTION	QTY PER	125	150
BD710107601V	FLUE ADAPTER GASKET	1	●	●
BD710107401V	FLUE ADAPTER GASKET 60MM	1	●	●
BD710107101V	FLUE ADAPTER GASKET 100MM	1	●	●
BD711085102V	FLUE ADAPTER 60/100	1	●	●
BD7718578	TEST POINT PLUG	2	●	●
BD710107801V	O-RING 8.73 X 1.78	2	●	●
BD711088501V	PRESSURE SWITCH CONNECTION FITTING	1	●	●
240011378	TEST POINT LABEL	1	●	●
240011404	INSTRUCTIONS	1	●	●

165/205

Kit 550003264 - Flue Adapter Replacement 165/205 - Includes:

PN	DESCRIPTION	QTY PER	165	205
BD000005670522	FLUE ADAPTER ASSEMBLY	1	●	●
BD000005410712	FLUE ADAPTER SEAL	1	●	●
BD7718578	TEST POINT PLUG	2	●	●
BD710107801V	O-RING, 8.73X1.78	2	●	●
240011727	INSTRUCTIONS	1	●	●

FLUE ADAPTER REPLACEMENT - KITS

100/115

Kit 550004164 - Flue Adapter Replacement 100/115 - Includes:

PN	DESCRIPTION	QTY PER	100	115
BD710107601V	FLUE ADAPTER GASKET	1	●	●
BD710107401V	FLUE ADAPTER GASKET 60MM	1	●	●
BD710107101V	FLUE ADAPTER GASKET 100MM	1	●	●
BD710107504	FLUE ADAPTER 60/100	1	●	●
BD7718578	TEST POINT PLUG	2	●	●
BD710107801V	O-RING 8.73 X 1.78	2	●	●
240011378	TEST POINT LABEL	1	●	●
240013244	INSTRUCTIONS	1	●	●

SEALS, CLIPS, ETC. - KIT

Kit 550003150 - Seals, Clips, Etc. - Includes:

PN	DESCRIPTION	QTY PER	100	115	125	150	165	205
BD721623501V	FIXING CLIP - (HX SUPPLY & RETURN PIPES)	2	●	●	●	●	●	●
BD710963001V	O-RING 21,5X3 EP7 (SUPPLY PIPE TO CIRC)	2	●	●	●	●		
BD722275601V	O-RING 18.3X3.6 R15 (DHW PLATE)	4		●		●		
BD5404520	DHW PLATE EXCHANGER GASKET	4						●
BD710188902V	FIXING CLIP (PRESSURE SENSOR & BYPASS PIPE)	2	●	●	●	●		●
BD710189001V	GASKET 9,7X15X2 (DHW SENSOR)	1		●		●		●
BD710113601V	GASKET G1/2 AFM (BYPASS PIPE & DHW RETURN CAP)	2	●	●	●	●	●	●
BD710113001V	GASKET G3/4 17X24X2 (BYPASS PIPE & GAS ADAPTOR)	2	●	●	●	●	●	●
BD710188501V	FIXING CLIP - (3WAY VALVE MOTOR)	1	●	●	●	●		
BD710108401V	O-RING 11,91X2,62 (BYPASS PIPE)	1	●		●			
BD000005411331	O-RING 20,24X2,62 (SUPPLY PIPE TO HX)	4	●	●	●	●	●	●
BD710188701V	FIXING SPRING (FILLING PIPE)	1		●		●		
BD710107801V	O-RING 8,73X1,78 (FILLING PIPE & TEST POINT PLUG)	5	●	●	●	●	●	●
BD710039501V	HYDRAULIC GROUP GASKET	5	●	●	●	●		
BD710110901V	O-RING 40,95X2,62 (CONDENSATE TRAP BOWL)	1			●	●		
BD000005402141	PUMP GASKET G1 1/2	2					●	●
BD000005405001	GASKET G1 22X30,3X2 WRC (SUPPLY PIPE TO SUPPLY BLOCK)	1					●	●
BD710011401V	GAS PIPE FIXING CLIP	1	●	●	●	●	●	●
BD710045702V	O-RING 9,19X2,62,EDPM (PLUG FOR PRESSURE GAUGE PORT)	1					●	
BD710061402V	O-RING 18X3 NBR (GAS PIPE)	1	●	●	●	●	●	●
BD710110601V	CLIP D10,BITRON, (PLUG IN RETURN BLOCK)	1					●	
BD710654101V	CLIP,D9,240/380,(PRESSURE SENSOR)	1					●	
240013315	CLAMP,SNAP-GRIP,19/32"-11/16"(COND HOSE TRAY TO TRAP)	2	●	●				
BD710111001V	SPRING CLIP BIFM182 (COND HOSE TRAY TO TRAP)	2			●	●	●	●
BD710151101V	SPRING CLIP BIFM252 (COND HOSE HX TO TRAP)	2	●	●	●	●	●	●
BD710397801V	GSKT,G1",31X42,FOAM (DHW SUPPLY & RETURN TO FRAME)	2					●	●



ECR international

2201 Dwyer Avenue, Utica, NY 13501
 Tel. 800 325 5479
www.ecrinternational.com

All specifications subject to change without notice.
 ©2021 ECR International, Inc.