



- Models**  
WPSB-3D  
WPSB-3DP  
WPSB-4D  
WPSB-4DP  
WPSB-5D  
WPSB-5DP  
WPSB-6D  
WPSB-6DP  
WPSB-7D  
WPSB-7DP  
WPSB-8D  
WPSB-8DP  
WPSB-9D  
WPSB-9DP

**WPSB SERIES 3  
GAS-FIRED  
HOT WATER BOILERS**

**PARTS, KITS &  
OPTIONAL ACCESORIES**

Ordering Instructions

Order Parts through your nearest supplier.

When ordering parts, obtain Model Number and Serial from data plate on your boiler.

Include following information when ordering.

Part Number \_\_\_\_\_

Part Description \_\_\_\_\_

Boiler Model Number \_\_\_\_\_

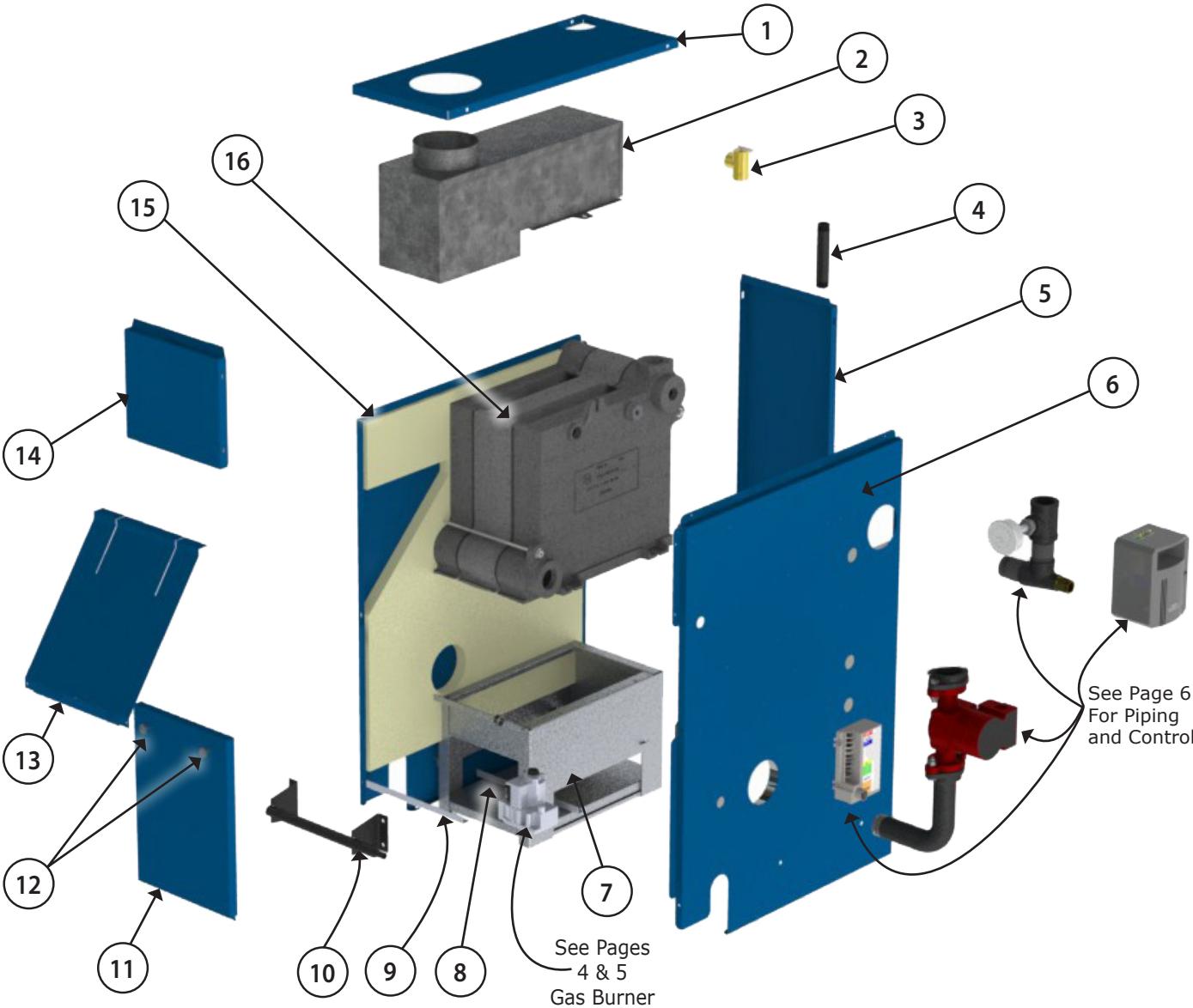
Boiler Serial Number \_\_\_\_\_

Check our website frequently for updates: [www.ecrinternational.com](http://www.ecrinternational.com)



**Manufactured by:**  
ECR International Inc.  
2201 Dwyer Avenue, Utica, NY 13501  
Tel. 800 325 5479  
[www.ecrinternational.com](http://www.ecrinternational.com)  
PN 240013149 REV. B [10/01/2021]

REPAIR PARTS



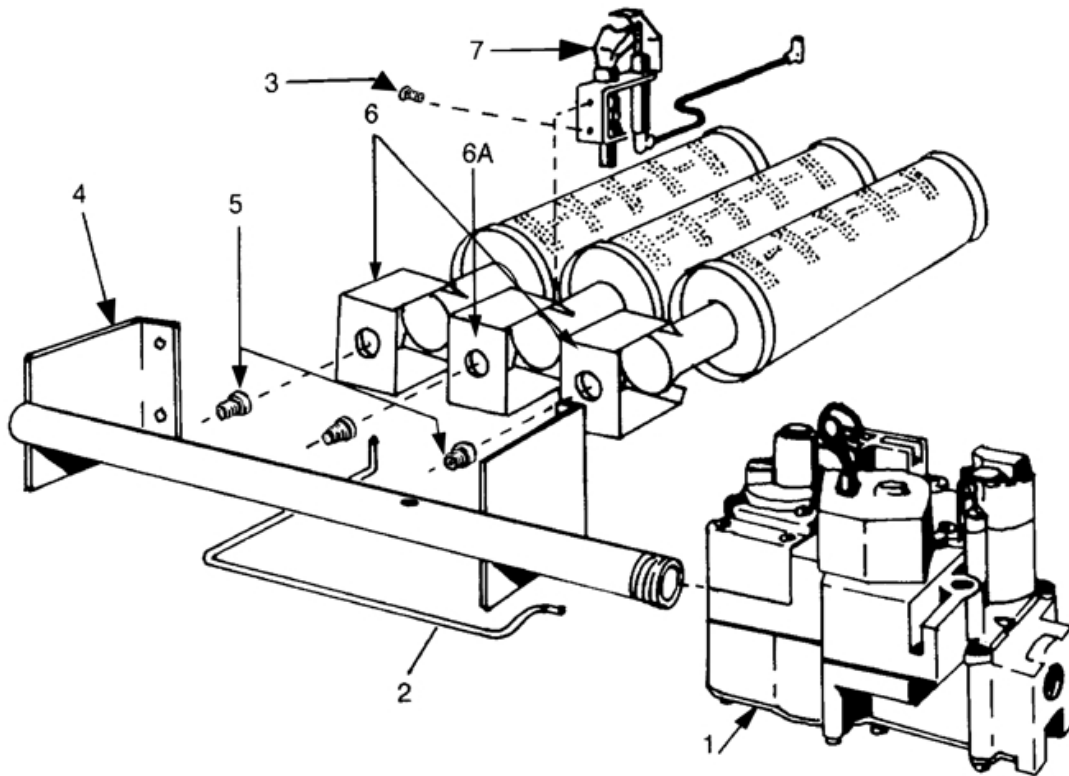
## REPAIR PARTS

### JACKET ASSEMBLY

| KEY NO.           | Part Number     |            |            |            |            |            |            | DESCRIPTION                       |
|-------------------|-----------------|------------|------------|------------|------------|------------|------------|-----------------------------------|
|                   | 3 SECTION       | 4 SECTION  | 5 SECTION  | 6 SECTION  | 7 SECTION  | 8 SECTION  | 9 SECTION  |                                   |
| ‡                 | 42500873AC      | 42500874AC | 42500875AC | 42500876AC | 42500877AC | 42500878AC | 42500879AC | Jacket Complete                   |
| 1                 | 42500843AC      | 42500844AC | 42500845AC | 42500846AC | 42500847AC | 42500848AC | 42500849AC | Jacket, Top Panel                 |
| 2                 | 42500673        | 42500674   | 42500675   | 42500676   | 42500677   | 42500678   | 42500679   | Draft Diverter                    |
| 3                 | 14622011        |            |            |            |            |            |            | 3/4" ASME Safety Relief Valve     |
| 4                 | 14607002        |            |            |            |            |            |            | 3/4" x 6 1/2" Nipple              |
| 5                 | 42500833AC      | 42500834AC | 42500835AC | 42500836AC | 42500837AC | 42500838AC | 42500839AC | Jacket, Back Panel                |
| 6                 | 109008574AC     |            |            |            |            |            |            | Jacket, Right Side Panel          |
| 7a                | 42500663        | 42500664   | 42500665   | 42500666   | 42500667   | 42500668   | 42500669   | Base                              |
| 7b                | 14614130        |            |            |            |            |            |            | Base Insulation Sides (2)         |
|                   | 14614113        | 14614114   | 14614115   | 14614116   | 14614117   | 14614118   | 14614119   | Base Insulation Front             |
|                   | 14614123        | 14614124   | 14614125   | 14614126   | 14614127   | 14614128   | 14614129   | Base Insulation Rear              |
| 8                 | 42500643        | 42500644   | 42500645   | 42500646   | 42500647   | 42500648   | 42500649   | Base Baffle                       |
| 9                 | 42500653        | 42500654   | 42500655   | 42500656   | 42500657   | 42500658   | 42500659   | Jacket Tie Bar                    |
| 10                | See Pages 4 & 5 |            |            |            |            |            |            | Gas Manifold                      |
| 11                | 42500823AC      | 42500824AC | 42500825AC | 42500826AC | 42500827AC | 42500828AC | 42500829AC | Jacket, Service Door              |
| 12                | 13702153        |            |            |            |            |            |            | Knob, Service Door (Pair)         |
| 13                | 42500813AC      | 42500814AC | 42500815AC | 42500816AC | 42500817AC | 42500818AC | 42500819AC | Jacket, Diverter                  |
| 14                | 42500811AC      | 42500804AC | 42500805AC | 42500806AC | 42500807AC | 42500808AC | 42500809AC | Jacket, Front Panel Upper         |
| 15                | 109008736AC     |            |            |            |            |            |            | Jacket, Left Side Panel           |
| 16                | 41000331        | 41000431   | 41000531   | 41000631   | 41000731   | 41000831   | 41000931   | Block Assembly                    |
| ‡                 | 14614018        |            |            |            |            |            |            | Cerafelt Gasket                   |
| ‡                 | 240006937       | 240006938  |            | 240006939  |            |            |            | Vent Damper                       |
| ‡                 | 43300663        | 43300664   | 43300665   | 43300666   | 43300667   | 43300668   | 43300669   | Base Assembly Includes 7a, 7b & 8 |
| ‡ Not illustrated |                 |            |            |            |            |            |            |                                   |

## REPAIR PARTS

**FOR USE WITH NATURAL GAS ONLY**

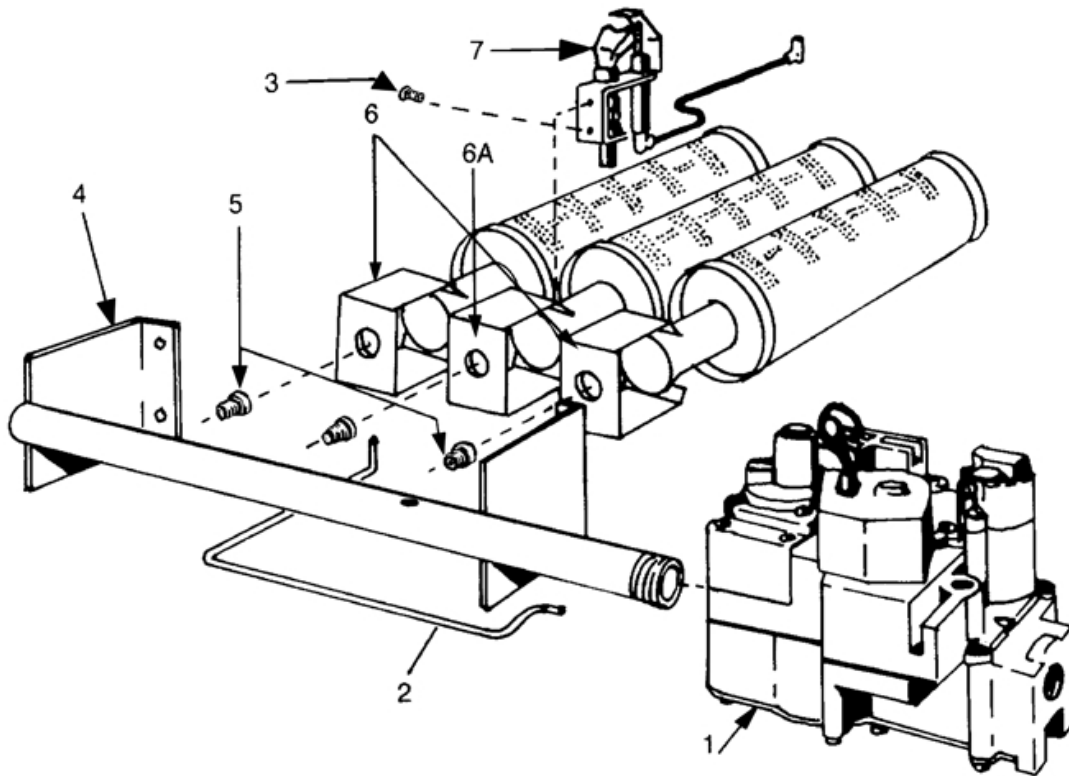


**NOTE:** Actual gas valve may look different than gas valve shown

| NATURAL GAS BURNER & MANIFOLD PARTS<br><i>This is a repair parts list – NOT a packing list!</i>   |             |           |           |           |           |           |           |                                       |            |
|---|-------------|-----------|-----------|-----------|-----------|-----------|-----------|---------------------------------------|------------|
| KEY NO.   | Part Number |           |           |           |           |           |           | DESCRIPTION                           |            |
|   | 3 Section   | 4 Section | 5 Section | 6 Section | 7 Section | 8 Section | 9 Section |                                       |            |
| 1   | 14662052    | 14662052  | 14662052  | 14662058  |           |           |           | Gas Valve, Natural Gas                |            |
| 2   | 14615005    |           |           |           | 14615006  |           |           |                                       | Pilot Tube |
| 3   | 14695301    |           |           |           |           |           |           | 10-32 x 3/16" Slotted Hex Head Screws |            |
| 4   | 14616033    | 14616034  | 14616035  | 14616013  | 14616014  | 14616015  | 14616016  | Gas Manifold                          |            |
| 5   | 240012905   |           |           | 240013128 |           |           |           | Main Burner Orifice*                  |            |
| 6   | 14615532    |           |           |           |           |           |           | Main Burner Regular**                 |            |
| 6A  | 14615531    |           |           |           |           |           |           | Main Burner, Pilot Mount              |            |
| 7   | 240011102   |           |           |           |           |           |           | Pilot Burner                          |            |
| ‡   | 42500933    | 42500934  | 42500935  | 42500936  | 42500937  | 42500938  | 42500939  | Rollout Shield                        |            |
| * Requires 1 less than the number of sections.<br>**Requires 2 less than the number of sections.<br>‡ Not illustrated.<br>Quantity is 1 unless otherwise noted. |             |           |           |           |           |           |           |                                       |            |

## REPAIR PARTS

**FOR USE WITH PROPANE GAS ONLY**



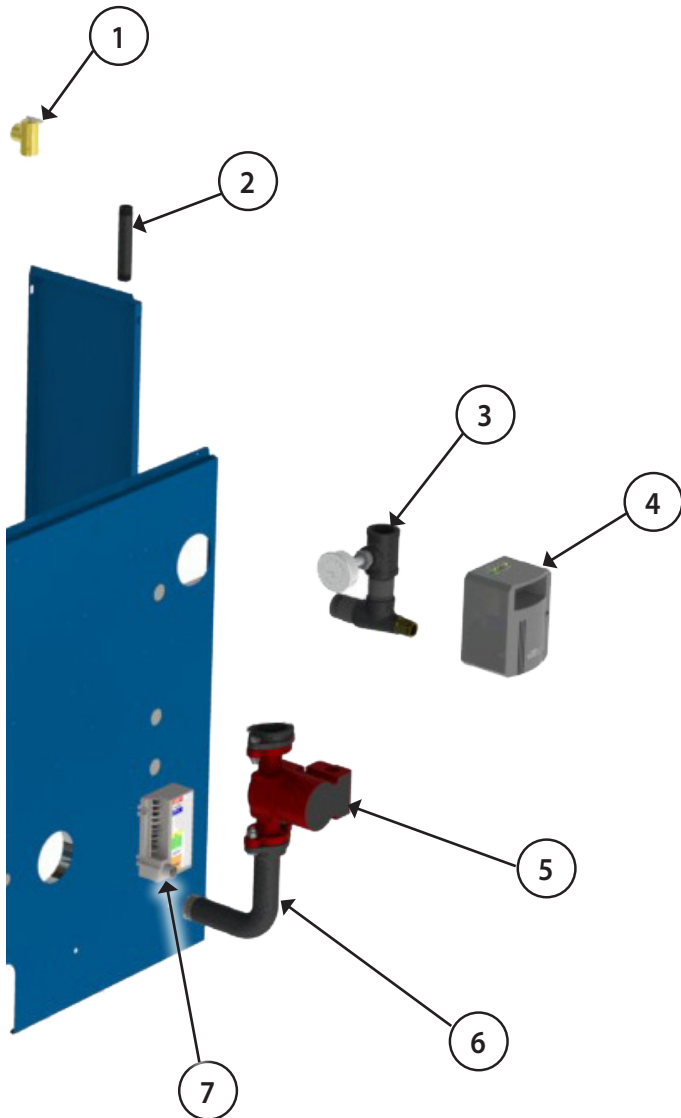
**NOTE:** Actual gas valve may look different than gas valve shown

| PROPANE GAS BURNER & MANIFOLD PARTS<br><i>This is a repair parts list – NOT a packing list!</i> |             |           |           |           |           |           |           |                                       |
|---|-------------|-----------|-----------|-----------|-----------|-----------|-----------|---------------------------------------|
| KEY NO.   | Part Number |           |           |           |           |           |           | DESCRIPTION                           |
|   | 3 Section   | 4 Section | 5 Section | 6 Section | 7 Section | 8 Section | 9 Section |                                       |
| 1   | 240009866   |           |           | 240008809 |           |           |           | Gas Valve, LP                         |
| 2   | 14615005    |           |           |           |           | 14615006  |           | Pilot Tube                            |
| 3   | 14695301    |           |           |           |           |           |           | 10-32 x 3/16" Slotted Hex Head Screws |
| 4   | 14616010    | 14616011  | 14616012  | 14616013  | 14616014  | 14616015  | 14616016  | Gas Manifold                          |
| 5   | 240013145   |           |           |           |           |           |           | Main Burner Orifice*                  |
| 6   | 14615532    |           |           |           |           |           |           | Main Burner Regular**                 |
| 6A  | 14615531    |           |           |           |           |           |           | Main Burner, Pilot Mount              |
| 7   | 240011102   |           |           |           |           |           |           | Pilot Burner (includes)***            |
|   | PB00208     |           |           |           |           |           |           |                                       |
|   | 14662087    |           |           |           |           |           |           |                                       |
| ‡   | 42500933    | 42500934  | 42500935  | 42500936  | 42500937  | 42500938  | 42500939  | Rollout Shield                        |

\* Requires 1 less than the number of sections.  
 \*\*Requires 2 less than the number of sections.  
 ‡ Not illustrated.  
 Quantity is 1 unless otherwise noted.  
 \*\*\* Pilot shipped natural gas only orifice and fitting required for LP conversion

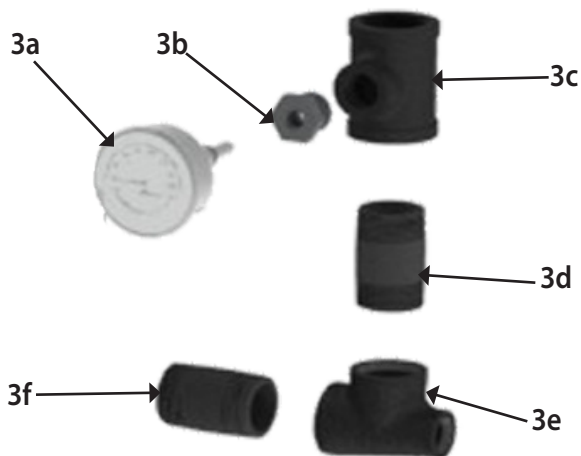
# REPAIR PARTS

## BOILER CONTROLS AND PIPING



| Key No.           | Part Number | DESCRIPTION   |
|-------------------|-------------|---|
| 1                 | 14622011    | 3/4" ASME Relief Valve  |
| 2                 | 14607002    | 3/4" x 6 1/2" Nipple  |
| 3                 | 1260006SP   | 3a Temperature Pressure Gauge - 2" shank                          |
|                   | 1060002     | 3b Bushing, 3/4" x 1/4", Black Iron                               |
|                   | PF05901     | 3c Tee, 1 1/4" x 1 1/4" x 3/4", Black Iron                        |
|                   | 14607044    | 3d Adapter, 1 1/4" x 2 1/2", Black Iron                           |
|                   | 1510001     | 3e 1 1/4" x 3/4" x 1 1/4" Tee                                     |
|                   | 14607044    | 3f 1 1/4" x 2 1/2" Nipple   |
| 4                 | 240009113   | Hydrolevel Control  |
| ‡                 | 240009989   | Replacement Sensor Only For Hydrolevel 3250 (12")                 |
| 5                 | CI006.01    | Grundfos Pump UP15-42F Circulator                                 |
|                   | CI-001.03   | Taco Pump 007   |
| 6                 | 14607003    | 1 1/4" Bent Return Adapter  |
| 7                 | 14662070    | Intermittent Pilot Control  |
| ‡                 | 240008013   | Sensor Clip   |
| ‡                 | 240007709   | Sensor Well   |
| ‡                 | 1500009     | Blocked Vent Safety Switch (36TX16-6282) 280°F                    |
| ‡                 | 14629002    | Rollout Switch  |
| ‡                 | 240006937   | 5" Vent Damper  |
| ‡                 | 240006938   | 6" Vent Damper  |
| ‡                 | 240006939   | 7" Vent Damper  |
| ‡                 | 14693008    | 2 1/2" x 1 1/4" Bushing (2 Required)                              |
| ‡                 | 14693024    | 2 1/2" Plug   |
| ‡                 | 14693083    | 2 1/2" x 3/4" Bushing   |
| ‡                 | 1395003     | 1/2" Plug (3 Required)  |
| ‡                 | 240006837   | 400°F Black Silicone Rubber Adhesive Sealant (10.3 oz. Cartridge) |
| ‡ Not illustrated |             |   |

### Temperature Pressure Gauge Assembly



## REPAIR PARTS

### MISCELLANEOUS PARTS

| <b>Part Number</b> | <b>DESCRIPTION</b>                               | <b>QTY.</b> |
|--------------------|--|-------------|
| 37519501           | Circulator Harness                               | 1           |
| 240005480          | Damper Harness, 60"                              | 1           |
| 240010924          | Wire Harness, Rollout/Blocked Vent Safety Switch | 2           |
| 43300942           | Wire Harness, Gas Valve                          | 1           |
| EF-016.01          | Strain Relief Connector                          | 1           |
| 240010487          | Wire Clip  | 1           |
| 206000023          | Bushing, 7/8 to 3/4                              | 1           |
| 14634032           | Strain Relief Bushing                            | 2           |
| 14695074           | Screw, 10 x 12                                   | 2           |



2201 Dwyer Avenue, Utica, NY 13501

Tel. 800 325 5479

[www.ecrinternational.com](http://www.ecrinternational.com)

All specifications subject to change without notice.

©2021 ECR International, Inc.