



# FLOOR STANDING CONDENSING BOILERS

**DCCF COMBI**  
**DCBF HEATING ONLY**

**95% AFUE EFFICIENCY**



The Intelligent Condensing Approach - Our Combi & Central Heating Condensing Boilers Feature Ai (Artificial Intelligence) Control Technology

Self-Monitoring

Self-Adjusting

Self-Commissioning



Simply press two buttons to setup combustion.  
(Analyzer not required, but recommended.)

## EVERYONE ENJOYS THE COMFORT

→ **Contractors** enjoy the comfort of satisfied customers and the ease of installing our condensing boilers.

→ **Homeowners** enjoy comfort, reliability and maximize savings with advanced [AI] Control Technology.

- 4 Models Available, 125 - 205 MBH
- Adjusts for LP or Natural Gas
  - NO Field Conversion Kits Required
- Primary/Secondary LABOR SAVER™ Manifold
  - Built-in
- 7:1 Turndown Modulation in DHW Mode
- 5.7:1 Turndown Modulation in Heating Mode (DCBF-125 & DCCF-150)
- 5.5:1 Turndown Modulation in Heating Mode (DCBF-165 & DCCF-205)
- Warranty Coverage
  - FREE 2-Year Parts & Labor Limited Warranty\*
  - 10 Year Limited Heat Exchanger Warranty
- Innovative American Manufacturing

TAKE ADVANTAGE OF  
**REBATES**  
with **95% Efficiency**



\*Unit must be registered within 60 days from the date of original installation. All terms of Trinity Extended Service Agreement apply.

Innovative. Efficient. Dependable. Dunkirk



www.dunkirk.com  
PN 240012694 Rev. [01/20/21]

## RATINGS

MODEL		INPUT MBH <sup>(1)</sup>				DHW	AHRI CERTIFIED RATINGS			DIMENSIONS				
		CH Mode MAX	CH Mode MIN	DHW Mode MAX	DHW Mode MIN	Flow Rate GPM <sup>(4)</sup>	Heating Capacity MBH <sup>(1)(2)</sup>	Net Water MBH <sup>(1)(3)</sup>	Efficiency AFUE <sup>(2)</sup>	Water Content Gallons	- A - Width	- B - Height	- C - Depth	Ship Weight Lbs.
COMBI	DCCF-150	125	22.0	153	22.0	3.5	113	98	95%	1	18.56"	40.23"	17.46"	106
	DCCF-205	164	29.5	205	29.5	5.0	153	133	95%	1.25	18.56"	40.23"	23.55"	168
HEAT ONLY	DCBF-125	125	22.0	NA	NA	NA	113	98	95%	1	18.56"	40.23"	17.46"	106
	DCBF-165	164	29.5	NA	NA	NA	153	133	95%	1.25	18.56"	40.23"	23.55"	158

## CONNECTIONS

Water Supply & Return	1-1/4" Copper (125/150) 1-1/2" Copper (165/205)
Gas Connections	3/4" NPT
DHW Inlet/Outlet	1/2" SWT (150) 3/4" SWT (205)
Condensate Drain	3/4" NPT
Primary/Secondary Manifold	Factory Supplied

## ELECTRICAL

120 V ac, 60 hertz, 1 phase, less than 12 amps (15 amp circuit recommended)

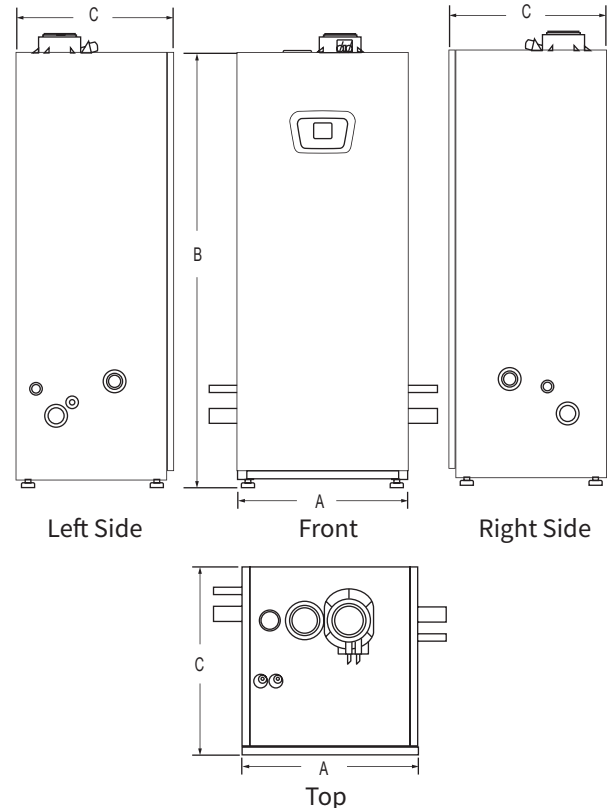
## STANDARD EQUIPMENT

Control Module: shall be self-commissioning, automatically recognizing fuel type (Nat/LP) and self-calibrating for optimum combustion and efficiency.  
 Heat Exchanger: Iron-Chromium stainless steel parallel tube  
 Combustion: Modulating gas valve, induced draft premix blower, iron-chromium stainless steel burner, and direct spark ignition system with separate flame sensing rod. Boiler is factory fire tested. Internal factory installed and wired boiler loop pump and a factory supplied primary/secondary manifold is included.  
 Electrical: Low voltage terminal strip with clearly marked connections.  
 Other: Factory installed LWCO pressure sensing device, 30 PSI safety relief valve, boiler drain valve, gas shut off valve and condensate drain with built in trap. Leveling legs included.

## OPTIONS

Outdoor Temperature Sensor, Indirect Storage Tank Sensor

- (1) 1000 Btu/hr (British Thermal Units Per Hour)
- (2) Heating Capacity and AFUE (Annual Fuel Utilization Efficiency) are based on DOE (Department of Energy) test procedures
- (3) Net Water Rating shown based on piping and pickup allowance of 1.15. Consult manufacturer before selecting boilers for installation having unusual piping and pickup requirements, such as intermittent system operation, extensive piping systems, etc.
- (4) Flow Rate based on 70°F temperature rise.



ECR International, Inc. 2201 Dwyer Avenue, Utica, NY 13501  
 Tel. 800 253 7900  
 www.ecrinternational.com



All specifications subject to change without notice.  
 ©2021 ECR International, Inc.  
 PN 240012694 Rev. [01/20/21]