



CONDENSING GAS FIRED FLOOR STANDING BOILER

Models **DCBF - 125** **DCCF - 150**

PARTS, KITS & OPTIONAL ACCESSORIES

ORDERING INSTRUCTIONS
ORDER PARTS THROUGH YOUR NEAREST SUPPLIER.
WHEN ORDERING PARTS, OBTAIN MODEL NUMBER AND SERIAL NUMBER FROM DATA
PLATE ON YOUR BOILER.
INCLUDE FOLLOWING INFORMATION WHEN ORDERING.

PART NUMBER _____

PART DESCRIPTION _____

BOILER MODEL NUMBER _____

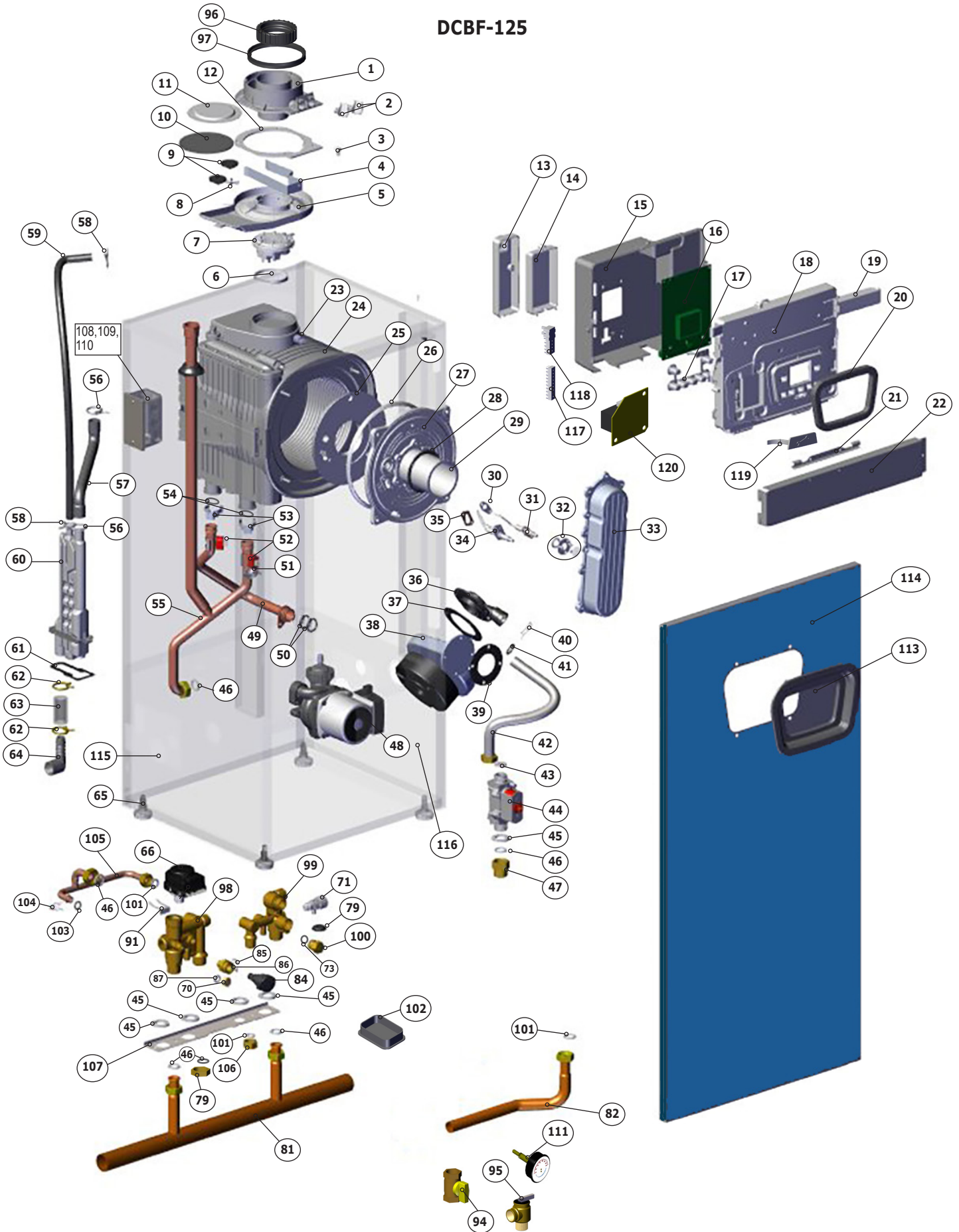
BOILER SERIAL NUMBER _____



MANUFACTURED BY:
ECR INTERNATIONAL INC.
2201 DWYER AVENUE, UTICA, NY 13501
TEL. 800 253 7900
WWW.ECRINTERNATIONAL.COM
PN 240012561 REV. A [04/30/2019]

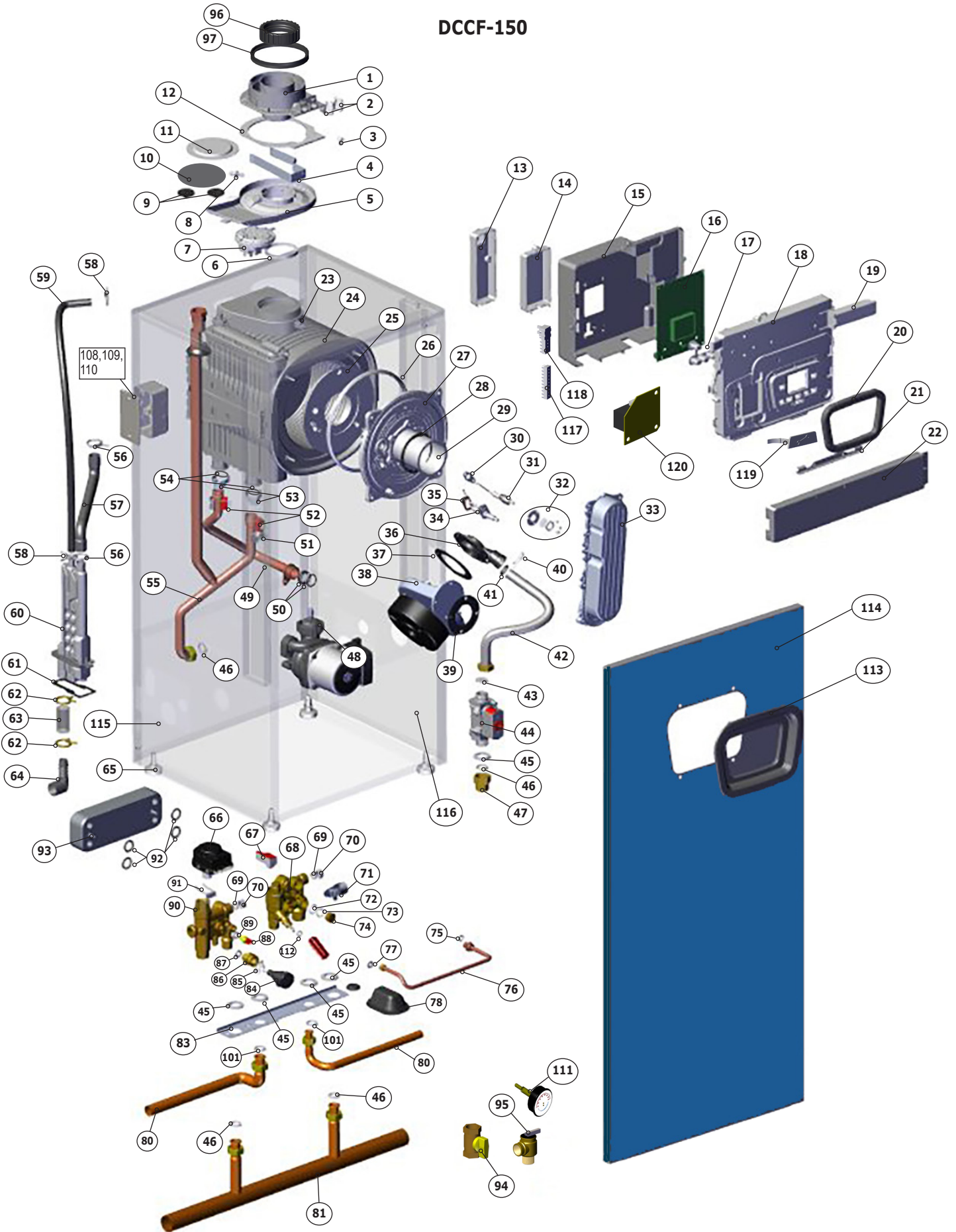
PARTS AND ACCESSORIES

DCBF-125



PARTS AND ACCESSORIES

DCCF-150



PARTS AND ACCESSORIES

ITEM	PN	DESCRIPTION	DCB 125	DCC 150
1	BD711085101V	BD,FLUE ADAPTOR 60/100	●	●
2	BD710107701V	BD,TEST POINT PLUG	●	●
3	BD000005409571	BD,PRESSURE CONNECTION	●	●
4	BD711085501V	BD,FLUE SUPPORT BRKT	●	●
5	BD710282301V	BD,CONDENSATE SUMP 80/60	●	●
6	BD710108001V	BD,SEAL D.60 - SUMP	●	●
7	BD000005679722	BD,PRESSURE SWITCH HUBA 400	●	●
8	BD711088501V	BD,PRESSURE CONNECTION L4 CANADA	●	●
9	BD710117301V	BD,CABLE FIXING GROMMET	●	●
10	BD710784801V	BD,GSKT,CVR PLT,TWIN PIPE	●	●
11	BD710300601V	BD,CVR PLT,TWIN PIPE	●	●
12	BD710107601V	BD,FLUE ADAPTOR GASKET	●	●
13	BD711075601V	BD,TERMINAL BLOCK COVER	●	●
14	BD711075801V	BD,CLIP-IN COVER V0	●	●
15	BD711075102V	BD,CONTROL PANEL REAR	●	●
16	BD770219301V	BD,PCB B&P HAGC03-BX04 W/KEY V2.15	●	●
17	BD710126301V	BD,7-BUTTON KEYPAD	●	●
18	BD711074801V	BD,CONTROL BOX FACIA	●	●
19	BD711075501V	BD,CONTROL PANEL SUPPORT ARM	●	●
20	240012611	GSKT,A/I CTRL FACE,,50 THK	●	●
21	BD710014402V	BD,CONTROL BOX HINGE	●	●
22	109010174	UPPER CONTROL SUPPORT	●	●
23	BD711180100	BD,NTC SNSR(HTEX)	●	●
24	BD711447001V	BD,HEAT EXCHANGER BASIC 6E CANADA	●	●
25	BD5411020	BD,INSULATING PANEL	●	●
26	BD710111502V	BD,COMB CHAMBER GASKET	●	●
27	BD711571000	BD,COMBUSTION CHAMBER UPPER COVER	●	●
28	BD711408002V	BD,GASKET, BURNER	●	●
29	BD711559101V	BD,BURNER,MAC/MAH,125/150	●	●
30	BD710185201V	BD,FLAME SENSING ELECTRIC GASKET	●	●
31	BD711010801V	BD,FLAME SENSOR,B&P	●	●
32	550003157	SIGHT GLASS REPLACEMENT KIT	●	●
33	BD711187500	BD,AIR GAS COLLECTOR	●	●
34	BD711010701V	BD,ELECTRODE IGNITION	●	●
35	BD710185302V	BD,GSKT,IGN,PEN	●	●
36	BD710458104V	MIXER PL30 C1500107 (GAS TRAIN)	●	●
37	BD710042401V	BD, VENTURI,GASKET MIXER TO FAN	●	●
38	BD711073902V	BD,FAN NRG 118 CANADA (INDUCER)	●	●
39	BD5410900	BD,VENTURI GASKET	●	●
40	BD710011401V	BD,CLIP - FIXING GAS PIPE	●	●
41	BD710061402V	BD,O-RING 18X3 NBR	●	●
42	BD711007101V	BD,FLEXIBLE GAS PIPE 6 E	●	●
43	BD710458501V	BD,GAS NOZZLE B&P D.5,8	●	●
44	BD766630601V	BD,GAS VLV B&P SGV101	●	●
45	BD710039501V	BD,HYDRAULIC GROUP GASKET	●	●
46	BD710113001V	BD,GASKET G3/4 17X24X2	●	●
47	BD722270601V	BD,ADPTR,G3/4X3/4 NPT,BRS	●	●

ITEM	PN	DESCRIPTION	DCB 125	DCC 150
48	BD710786502V	BD,PUMP UPR 15-58 2VEL L4 120V	●	●
49	BD711425802V	BD,ASSY PIPE PUMP - EXCHANGER	●	●
50	BD710963001V	BD,O-RING 21,5X3 EP7	●	●
51	BD710626001V	BD,OVERTEMP. THERMOSTAT	●	●
52	BD722143801V	SNSR,WTR,22MM BRKT,12K NTC 3%	●	●
53	BD721623501V	BD,FIXING CLIP - HEX PIPES	●	●
54	BD000005411331	BD,O-RING 20,24X2,62	●	●
55	240012555	ASSY,FLOW PIPE,TEE,MAC/MAH,FLR	●	●
56	BD710151101V	BD,SPRING CLIP BIFM252	●	●
57	BD766859301V	BD,HOSE,HTEX,SIPHON,HO	●	●
58	BD710111001V	BD,SPRING CLIP BIFM182	●	●
59	BD710066001V	BD,HOSE - SUMP/TRAP	●	●
60	BD765674901V	BD,SIPHON,H220,240	●	●
61	BD721696402V	BD,GSKT,SIPHON,240	●	●
62	BD710111201V	BD,WIRE SPRING BIFM287,380	●	●
63	BD710079501V	BD,PIPE CONDENSATE DISCHARGE	●	●
64	240008257	ELB,90°,PVC,3/4"BARBX1/2"NPT FML	●	●
65	14631091	LEG,ADJ,GLIDE,CO-2366	●	●
66	BD000005696391	BD,ELBI MOTOR 120V	●	●
67	BD710189401V	BD,FLOW DETECTOR,RED		●
68	BD767360001V	BD,DHW CH RETURN BLOCK ASSY		●
69	BD769728001V	BD,GASKET.6,1X11.5X2.0	●	●
70	BD000005202001	BD,CUP NUT M14X1	●	●
71	BD710188101V	BD,DRAIN TAP	●	●
72	BD000005405831	BD,O-RING 16X2 EP-37	●	
73	240011438	ORING,15X2,EP		●
74	240011437	PLUG,BRS,MAC/DCC,MAH/DCB		●
75	BD710107801V	BD,O-RING 8,73X1,78	●	●
76	BD711052301V	BD,FILLING PIPE ASSY		●
77	BD710121501V	BD,GASKET G3/8 8X15X		●
78	BD710156201V	BD,SEAL - FILLING TAP		●
79	BD710267101V	BD,CUP NUT G 3/4	●	
80	240012567	PIPE,DHW,MAC/H,FLR		●
81	240012557	MNFLD,HDR,MAC/MAH,FLR	●	●
82	240012608	PIPE,EX TANK,MAH,FLR	●	
83	BD710168304V	BD,HYDRAULIC SUPPORT BRACKET LUNA4		●
84	BD710109101V	BD,PRESSURE SENSOR	●	●
85	BD710188902V	BD,FIXING CLIP	●	●
86	BD710168401V	BD,ADAPTOR - PRESSURE SENSOR	●	●
87	BD769728001V	BD,GASKET.6,1X11.5X2.0	●	●
88	BD710831501V	BD,NTC SENSOR HONEYWELL-S011026		●
89	BD710189001V	BD,GASKET 9,7X15X2		●
90	BD711605801V	BD,3-WAY VALVE BLOCK		●
91	BD710188501V	BD,FIXING CLIP - 3WAY VALVE MOTOR	●	●
92	BD722275601V	BD,O-RING 18.3X3.6 R15-		●
93	BD711612501V	BD,DHW 20-PLATE EXCHANGER		●
94	BD000005643331	BD,GAS BALL VALVE G3/4 NPT	●	●

PARTS AND ACCESSORIES

ITEM	PN	DESCRIPTION	DCB 125	DCC 150
95	VR-001.01	VLV,RLF,ASME,30PSI,3/4 (10-407-05)	●	●
96	BD710107101V	BD,SEAL D.100 - FLUE ADAPTOR	●	●
97	BD710107401V	BD,SEAL D.60 - FLUE ADAPTOR	●	●
98	BD710266901V	BD,3-WAY VALVE BLOCK - SYSTEM	●	
99	BD710735501V	BD,DHW CH RETURN BLOCK ASSY-SYSTEM	●	
100	BD000005212641	BD,PLUG,BRS	●	
101	BD710113601V	BD,GASKET G1/2 AFM	●	●
102	BD721583002V	BD,FILLING CAP	●	
103	BD710108401V	BD,ANELLO OR 11,91X2,62	●	
104	BD710188902V	BD,FIXING SPRING	●	
105	BD710267001V	BD,ASSY BY-PASS PIPE SYSTEM	●	
106	BD000005201351	BD,CUP NUT G 1/2	●	
107	BD710235103V	BD,HYDRAULIC SUPPORT BRACKET	●	
108	212000017	BOX,JCT,2"X4"X1-7/8",RACO 660	●	●
109	BD711634101V	BD,CABLE FIXING NUT	●	●
110	BD711635101V	BD,CABLE FIXING D.4,8	●	●
111	1260006SP	GA,TEMP/PRESS, 2"SHANK,1PC,SNGL	●	●
112	BD710107801V	BD,O-RING 8,73X1,78	●	●
113	240011307	BEZEL,WNDW,BAXI	●	●
114	550003699	KIT, RPLMT, PNL, FRNT	●	●
115	550003701	KIT, RPLMT, PNL, LT	●	●
116	550003703	KIT, RPLMT, PNL, RT	●	●
117	BD710117901V	BD,10-POLE TERMINAL BLOCK PA3	●	●
118	BD000005688441	BD,5-POLE TERMINAL BLOCK W/ DOUBLE	●	●
119	BD710020102V	BD,SERVICE CONNECTOR RUBBER	●	●
120	BD711366901V	BD,INTERFACE BOARD WITH CONNECTOR	●	●
WIRE HARNESES				
*	BD710127501V	BD,FLAME SENSOR CABLE	●	●
*	BD710992901V	BD,REMOTE CONTROL WIRING HARNESS	●	●
*	240012550	HARN,LV,FLR MNT,MAC		●
*	240012551	HARN,GAS VLV,FLR MNT,MAC	●	●
*	240012552	HARN,LV,FLR MNT,MAH	●	
*	BD710993201V	BD,VENTILATOR PWM WIRING HARNESS	●	●
*	240012548	HARN,PCB,BARTELLI,FLR MNT,MAC	●	●
*	240012549	HARN,NTC/EXT SNSR,FLR MNT,MAC		●
*	BD710994002V	BD,EXTERNAL SENSOR WIRING X20 SOLO	●	
*	BD710993405V	BD,PCB B&P WIRING HARNESS	●	●
*	BD710993702V	BD,THERMOSTAT WIRING	●	●
*	BD710993801V	BD,EARTH CABLE - ELECTRODE,X2 IGNITOR	●	●
*	240012572	HARN,PWR,MAC/HF	●	●
*	BD711250601V	BD,IGNITION ELECTRODE WIRE CANADA	●	●
*	BD711065801V	BD,HARN,FLUE NTC SNSR	●	●

KITS			
PAGE	DESCRIPTION	125	150
6	FRONT JACKET KIT	●	●
6	RIGHT SIDE JACKET KIT	●	●
6	LEFT SIDE JACKET KIT	●	●
6	SIGHT GLASS REPLACEMENT KITS	●	●
6	IGNITION ELECTRODE REPLACEMENT KITS	●	●
6	FLAME SENSOR REPLACEMENT KITS	●	●
7	COMBUSTION CHAMBER GASKET REPLACEMENT KITS	●	●
7	BURNER REPLACEMENT KITS	●	●
8	FAN, AIR MIXER, BLOWER REPLACEMENT KIT	●	●
9	DHW PLATE REPLACEMENT EXCHANGER KITS		●
9	THREE WAY VALVE MOTOR REPLACEMENT KITS	●	●
9	DHW TEMPERATURE SENSOR REPLACEMENT KITS		●
10	PCB/CONTROL REPLACEMENT KIT	●	●
10	SERVICE KEY REPLACEMENT KIT	●	●
10	DHW SENSOR REPLACEMENT KIT FOR INDIRECT STORAGE TANK	●	
11	FLUE GASKET REPLACEMENT KITS	●	●
11	SEALS, CLIPS, ETC, KIT	●	●
11	COMBUSTION CHAMBER CLEANING KIT	●	●

JACKET KITS

550003699 FRONT JACKET REPLACEMENT KIT INCLUDES:

POS	DESCRIPTION	QTY	125	150
114	KIT,JKT,FRNT	1	●	●

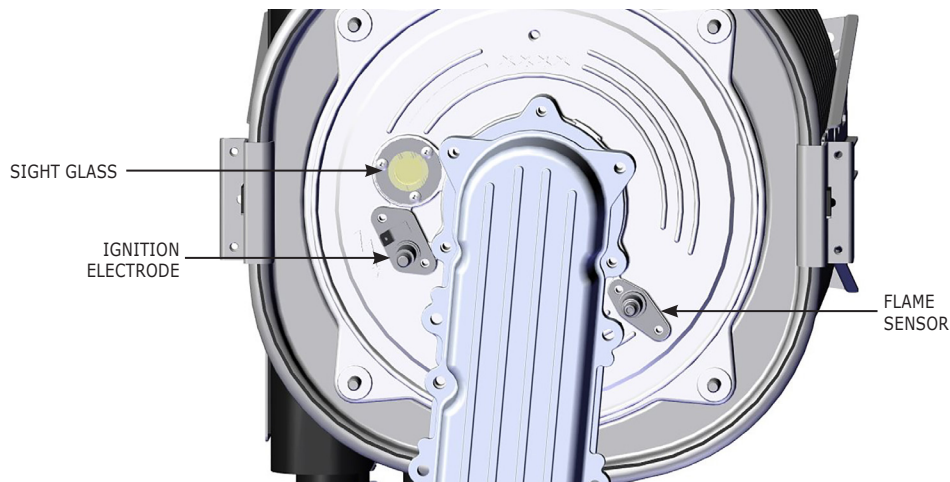
KIT 550003701 - LEFT SIDE JACKET REPLACEMENT KIT 125/150 - INCLUDES:

POS	DESCRIPTION	QTY	125	150
115	JKT,SIDE,LT,	1	●	●

KIT 550003703- RIGHT SIDE JACKET REPLACEMENT KIT 125/150 - INCLUDES:

POS	DESCRIPTION	QTY	125	150
116	JKT,SIDE,RT,	1	●	●

SIGHT GLASS, FLAME SENSOR, AND IGNITION ELECTRODE REPLACEMENT KITS



KIT 550003157 - SIGHT GLASS REPLACEMENT KIT

PN	DESCRIPTION	QTY	125	150
BD710112202V	SIGHT GLASS GASKET	1	●	●
BD710112101V	SIGHT GLASS	1	●	●
240011403	INSTRUCTIONS	1	●	●

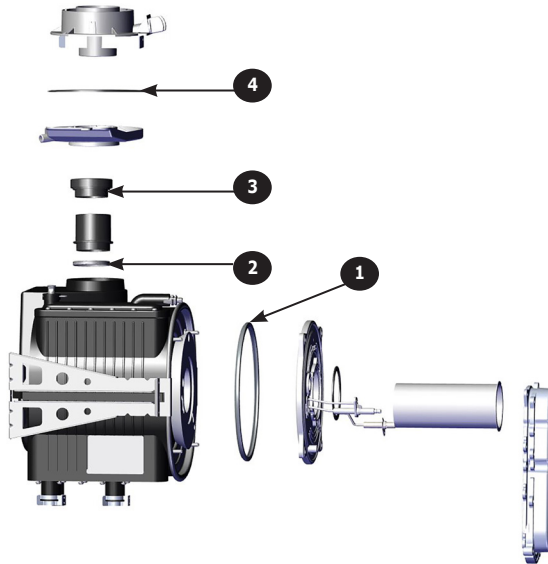
KIT 550003151 - FLAME SENSOR REPLACEMENT KIT

PN	DESCRIPTION	QTY	125	150
BD711010801V	BD,FLAME SENSOR,B&P	1	●	●
BD710185201V	BD,FLAME SENSING ELECTRIC GASKET	1	●	●
240012293	WRENCH,HEX,3MM	1	●	●
240011397	INSTRUCTIONS	1	●	●

KIT 550003152 -IGNITION ELECTRODE REPLACEMENT KIT

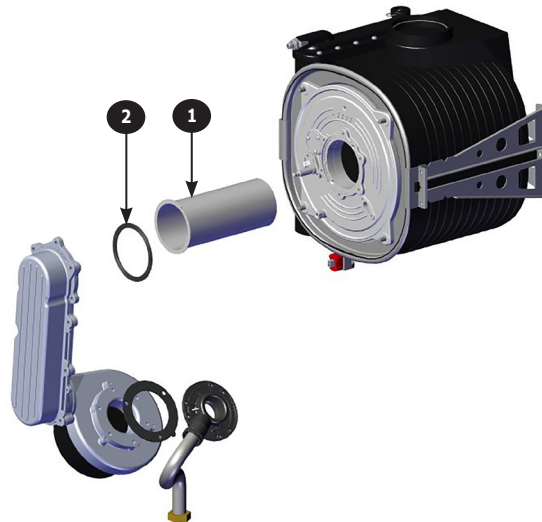
PN	DESCRIPTION	QTY	125	150
BD711010701V	BD,ELECTRODE IGNITION	1	●	●
BD710185302V	BD,GSKT,IGN,PEN	1	●	●
240012293	WRENCH,HEX,3MM	1	●	●
240011398	INSTRUCTIONS	1	●	●

COMBUSTION CHAMBER GASKET REPLACEMENT KIT



KIT 550003156 - COMBUSTION CHAMBER GASKET REPLACEMENT KIT 125/150 - KIT INCLUDES:					
POS	PN	DESCRIPTION	QTY	125	150
1	BD710111502V	COMBUSTION CHAMBER GASKET	1	●	●
2	BD710108001V	GASKET WITH DOUBLE LIP (CONDENSATE TRAY)	1	●	●
3	BD000005411030	GASKET (WATER TRAY TO HEAT EXCHANGER)	1	●	●
4	BD710107601V	FLUE ADAPTER GASKET	1	●	●
-	240011402	INSTRUCTIONS	1	●	●

BURNER REPLACEMENT KIT



KIT 550003155 - BURNER REPLACEMENT KIT 125/150 - KIT INCLUDES:					
POS	PN	DESCRIPTION	QTY	125	150
1	BD711559101V	BURNER	1	●	●
2	BD711408002V	BD,GASKET, BURNER, ASSY	1	●	●
-	240011401	INSTRUCTIONS	1	●	●

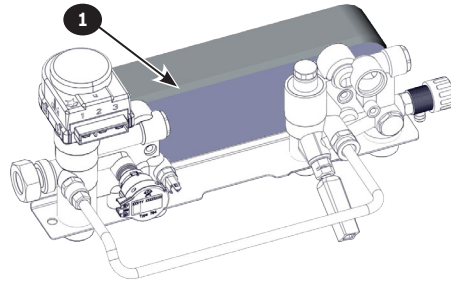
FAN, AIR MIXER, REPLACEMENT KIT



KIT 550003154 - REPLACEMENT, FAN MIXER KIT 125/150 - KIT INCLUDES:

POS	PN	DESCRIPTION	QTY	125	150
1	BD710458104V	MIXER PL30 C1500107 (GAS TRAIN)	1	●	●
2	BD711073902V	FAN NRG 118 115W 120V (INDUCER)	1	●	●
3	BD710042401V	BD, VENTURI,GASKET MIXER TO FAN	1	●	●
4	BD710115601V	BD,GASKET, MIXER TO AIR/GAS DUCT	1	●	●
N/A	BD710011401V	BD,CLIP - FIXING GAS PIPE	1	●	●
N/A	BD710061402V	BD,O-RING 18X3 NBR	2	●	●
5	BD711408002V	BD,GASKET, BURNER	1	●	●
-	240011400	INSTRUCTIONS	1	●	●

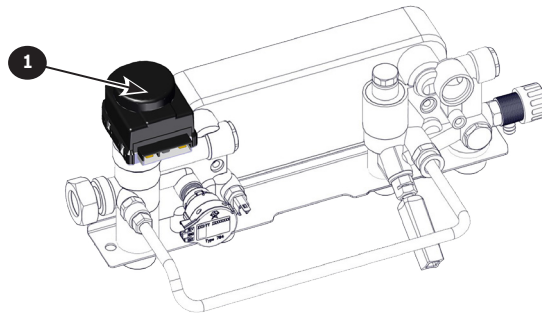
DHW PLATE REPLACEMENT KIT WITH GASKETS



KIT 550003153 - DHW PLATE REPLACEMENT KIT WITH GASKETS 150 - KIT INCLUDES:

POS	PN	DESCRIPTION	QTY	150
1	BD711612501V	DHW PLATE EXCHANGER 20 PLATES	1	●
NOT SHOWN	BD722275601V	DHW PLATE EXCHANGER O-RING	4	●
-	240011399	INSTRUCTIONS	1	●

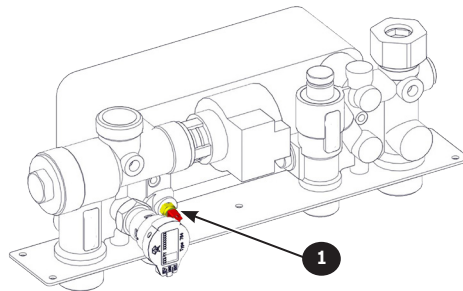
3 WAY VALVE MOTOR REPLACEMENT - KIT



KIT 550003166 - 3 WAY VALVE MOTOR REPLACEMENT KIT 125/150 - KIT INCLUDES:

POS	PN	DESCRIPTION	QTY	125	150
1	BD000005696391	3 ALVE MOTOR 120V	1	●	●
NOT SHOWN	BD710188501V	FIXING CLIP 3 WAY VALVE MOTOR	1	●	●
-	240011406	INSTRUCTIONS	1	●	●

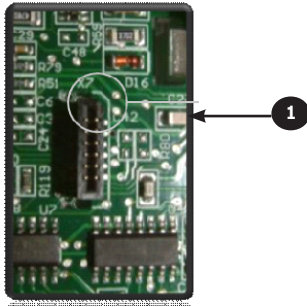
SENSOR REPLACEMENT - KIT



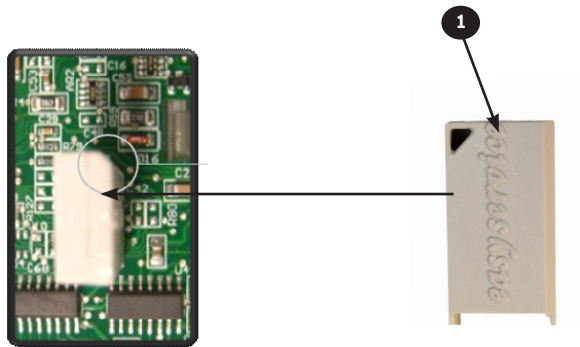
KIT 550003159 - DHW TEMPERATURE SENSOR REPLACEMENT KIT 150 - KIT INCLUDES:

POS	PN	DESCRIPTION	QTY	150
1	BD710831501V	BD,NTC SENSOR HONEYWELL-S011026	1	●
NOT SHOWN	BD710189001V	BD,GASKET 9,7X15X2	1	●
-	240011405	INSTRUCTIONS	1	●

PCB /CONTROL REPLACEMENT KIT



KIT 550003502 - PCB /CONTROL REPLACEMENT KIT W/O KEY - KIT INCLUDES:					
POS	PN	DESCRIPTION	QTY	125	150
1	BD770219401	BD,PCB,B&P,HAGC03-BX04,W/O SVC KEY	1	●	●
-	240012196	INSTRUCTIONS	1	●	●



KIT 550003191 - SERVICE KEY REPLACEMENT KIT - KIT INCLUDES:					
POS	PN	DESCRIPTION	QTY	125	150
1	BD710707701N	BD,SERVICE KEY	1	●	●
-	240012196	INSTRUCTIONS	1	●	●



KIT 550003189 - DHW SENSOR REPLACEMENT KIT FOR INDIRECT STORAGE TANK 125 - KIT INCLUDES:					
POS	PN	DESCRIPTION	QTY	125	
1	KHG714076810	BD,KIT,DHW,SENSOR	1	●	
NOT SHOWN	240008013	CLIP,MTG,HW,32002656	1	●	
NOT SHOWN	240010821	THERMOPASTE,1OZ	1	●	
-	240011464	INSTRUCTIONS	1	●	

FLUE GASKET CONNECTION REPLACEMENT - KIT

KIT 550003158 - FLUE GASKET CONNECTION REPLACEMENT KIT 125/150 - KIT INCLUDES:				
PN	DESCRIPTION	QTY	125	150
BD710107601V	GASKET ADAPTER (FLUE)	1	●	●
BD710784801V	SUCTION CAP GASKET	1	●	●
BD710107401V	WASHER DIA 60 OUTLET BEND (FLUE ADAPTER)	1	●	●
BD710107101V	WASHER DIA 100 OUTER ADAPTER SEAL (FLUE ADAPTER)	1	●	●
240011404	INSTRUCTIONS	1	●	●

SEALS, CLIPS, ETC. - KIT

KIT 550003150 - SEALS, CLIPS, ETC 125/150 - KIT INCLUDES:				
PN	DESCRIPTION	QTY	125	150
BD721623501V	BD, FIXING CLIP - HEX PIPES	2	●	●
BD710963001V	BD, O-RING 21,5X3 EP7	2	●	●
BD722275601V	BD, O-RING 18.3X3.6 R15-	4		●
BD710188902V	BD, FIXING CLIP	2	●	●
BD710189001V	BD, GASKET 9,7X15X2	1		●
BD710113601V	BD, GASKET G1/2 AFM	2		●
BD710113001V	BD, GASKET G3/4 17X24X2	2	●	●
BD710188501V	BD, FIXING CLIP - 3WAY VALVE MOTOR	1	●	●
BD710108401V	BD, ANELLO OR 11,91X2,62	3	●	
BD000005411331	BD, O-RING 20,24X2,62	4	●	●
BD710188701V	BD, FIXING SPRING	1		●
BD710107801V	BD, O-RING 8,73X1,78	5	●	●
BD710039501V	BD, HYDRAULIC GROUP GASKET	5	●	●
BD710011401V	BD, CLIP - FIXING GAS PIPE	1	●	●
BD710061402V	BD, O-RING 18X3 NBR	1	●	●
BD710111001V	BD, SPRING CLIP BIFM182	2	●	●
BD710151101V	BD, SPRING CLIP BIFM252	2	●	●

COMBUSTION CHAMBER CLEANING KIT

KIT 550003212 - COMBUSTION CHAMBER CLEANING KIT 125/150 - KIT INCLUDES:				
PN	DESCRIPTION	QTY	125	150
240011636	GLOVE, LATEX, BLK, LRG	4	●	●
240011637	SHIELD, HTEX, CLING	1	●	●
240011639	BAG, POLY 12"X 26"	4	●	●
240011640	BRUSH, 2"X", W HANDLE 1" STIFF BRISTLES	1	●	●
BD722003801V	SEAL, HTEX, DOOR, FRONT	1		
BD000005212781	SEAL, FBRGLS, ROPE	1		
BD710061402V	BD, O-RING 18X3 NBR	1	●	●
240011648	INSTRUCTIONS	1	●	●



2201 DWYER AVENUE, UTICA, NY 13501
TEL. 800 253 7900
WWW.ECRINTERNATIONAL.COM

ALL SPECIFICATIONS SUBJECT TO CHANGE WITHOUT NOTICE.
©2018 ECR INTERNATIONAL, INC.