



Dunkirk Boilers DCC-205 Submittal



Engineer: _____

Project Name: _____

Project Location: _____

Contractor: _____



APPLICATION:

Modulating Gas fired Combi boiler for indoor installation. Approved for closet or alcove installations. For use with natural or liquefied petroleum (LP/Propane) fuel gases. Wall mounted – optional floor stand available. All boilers are factory assembled with controls and wiring and test fired to ensure dependable performance. Boiler shall be certified for Direct Vent applications only.

CERTIFICATION AND APPROVALS:

Stainless Steel heat exchanger is manufactured and tested in accordance with American Society of Mechanical Engineers (ASME) and certified by Canadian Standards Association (CSA), AHRI, NRCAN. Registered with National Board BPVI, and Massachusetts Board. Stainless steel heat exchanger is tested for maximum allowable working pressure of 43.5 psig in accordance with ASME boiler and pressure vessel code, section IV, rules for construction of heating boilers. A 30 psig safety relief valve is shipped standard.

BOILERS INCLUDE:

- Wall mount bracket, mounting hardware and actual size Wall Mount Template
- Boiler is equipped with internal stainless steel brazed plate heat exchanger for potable hot water and automatic 3 way diverting valve to allow Domestic Hot Water Priority operation.
- Boiler includes factory installed and wired 2 speed circulator pump.
- External Primary/Secondary manifold with quick connections shipped with boiler.
- Digital Boiler Control:
 - ▶ Upon commissioning the boiler control shall automatically recognize fuel type (natural or LP gas) and automatically calibrate for correct fuel/air mixture, optimum combustion and performance. Control continuously monitors flame signal and adjusts the gas valve during normal operation for maximum efficiency.



Manufactured by:
 ECR International Inc.
 2201 Dwyer Avenue, Utica, NY 13501
 Tel. 800 253 7900
www.ecrinternational.com
 PN 240012335 REV. A [07/15/2018]



- ▶ Control system is PCB integral controller with LCD digital/graphical display.
- ▶ Control senses supply water temperature and adjusts the boiler firing rate to deliver the amount of heat needed and optimize efficiency.
- ▶ Control can sense and display supply water temperature and indicate when boiler is in central heating or domestic water mode.
- ▶ Control has selectable DHW preheat mode. Preheat mode will maintain brazed plate heat exchanger temperature to speed DHW delivery.
- ▶ Control can accept an optional proprietary Outdoor Air sensor and has field adjustable reset curves.
- ▶ Control displays Error Codes and Diagnostic information.
- Boiler Combustion System:
 - ▶ The Gas valve is a modulating valve capable of firing from:
 - 205,000 BTU input down to 29,500 BTU input in Combi mode (7:1 turn down).
 - 164,000 BTU input down to 29,500 BTU input in Heat mode (5.5:1 turn down).
 - ▶ Induced draft blower is variable speed controlled by the PCB.
 - ▶ Burner is constructed of 316L stainless steel.
 - ▶ Ignition system shall incorporate a Direct Spark Igniter and a separate Flame Sensing rod.
- Heat Exchanger:
 - ▶ Boiler's primary heat exchanger is constructed of 316L stainless steel.
 - ▶ DHW brazed plate is constructed of Stainless Steel.
- Electrical
 - ▶ 120 volts AC, 60 Hertz, 1-phase; less than 12 amps (15 amp circuit manufacturer recommended).
 - ▶ Factory wired 3-foot appliance cord with male plug end.
 - ▶ Low voltage terminal strip for Thermostat, and Outdoor Air Sensor.
- Other:
 - ▶ Field supplied Anti-Scald valve is required for Domestic Hot Water Supply.
- Warranty
 - ▶ Factory Standard Warranty is 10 years on heat exchanger, one year on parts.
 - ▶ Warranty is extended to 10 years on heat exchanger, two years parts plus two years labor upon online warranty registration and completion of contractor registration.
- Optional Equipment
 - ▶ Outdoor Air Sensor Kit
 - ▶ Coaxial and Two-pipe venting components
 - ▶ Floor Stand Kit



| Size | Input Rate (MBH) 0-2000ft | Heating Capacity (MBH) 0-2000ft | Net AHRI Rating, Water (MBH) 0-2000ft | AFUE (%) |
|--------------------------------|---------------------------|---------------------------------|---------------------------------------|----------|
| DCC-205 Heating Mode | 164,000 | 153,000 | 133,000 | 95.0 |
| DCC-205 DHW Mode | 205,000 | 184,500 | N/A | N/A |

| Clearances | | Combustible Materials (Required) ⁽¹⁾ | | Service ⁽¹⁾⁽²⁾ | | |
|--|--|---|----------|---------------------------|----------|--------|
| ⁽¹⁾ Required distances measured from boiler jacket. | Top | 0" | 0 mm | 8-5/8" | 220 mm | |
| | Left Side | 1-3/4" | 45 mm | 1-3/4" | 45 mm | |
| | Right Side | 1-3/4" | 46 mm | 1-3/4" | 45 mm | |
| ⁽²⁾ Service, proper operation clearance recommendation. | Front | 0" | 0 mm | 17-3/4" | 450 mm | |
| | Back | 0" | 0 mm | 0" | 0 mm | |
| | Bottom | 0" | 0 mm | 9-13/16" | 250 mm | |
| *Allowance for piping at bottom of boiler not included. | | Combustion Air / Venting Piping | 0" | 0 mm | 6" | 155 mm |
| 205 Physical Data & Specifications | | | | | | |
| Central Heat Supply & Return | | 1" NPT - Male | | | | |
| Central Heat Primary / Secondary Manifold | | 1-1/4" Copper Sweat | | | | |
| DHW (Cold Water) Inlet & Outlet | | 1" NPT - Male | | | | |
| Gas Connection | | 3/4" NPT - Female | | | | |
| DHW Maximum Flow Rate | | 5.0 GPM | | | | |
| Dimensions / Weights | | "Width" | "Height" | "Depth" | "Weight" | |
| | | 17-3/4" | 30" | 21-1/2" | 140 lbs. | |
| Electrical | 120 Volts AC, 60 Hertz, Single Phase, less than 12 amps (15 amp circuit recommended) | | | | | |



| Dunkirk Boiler DCC-205 | |
|---|----------------------|
| Central Heating (Sealed System) | |
| Max System Pressure | 43.00 psi / 2.96 bar |
| Min System Pressure | 7.25 psi / 0.50 bar |
| Max System Temperature | 176°F / 80°C |
| Pressure Relief Valve Setting | 30.00 psi / 2.11 bar |
| Flow Connection | 1" NPT |
| Return Connection | 1" NPT |
| Relief Valve Connection | 3/4" NPT |
| Recommended Operational System Pressure | 21.7 psi / 1.5 bar |

| Dunkirk Boiler 205 | |
|-----------------------------|-----------------------|
| Domestic Hot Water | |
| Max Inlet Pressure | 116.00 psi / 8 bar |
| Min Inlet Pressure | 2.9 psi / 0.2 bar |
| Min DHW Flow Rate | 0.55 gpm / 2.50 l/min |
| Cold Water Inlet Connection | 3/4" NPT |
| DHW Outlet Connection | 3/4" NPT |
| Max DHW Temperature | 140°F/60°C |
| DHW Water Content | 0.10 gal/ 0.37 L |

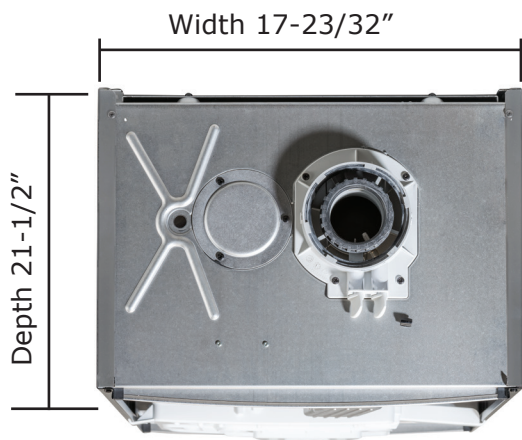
Venting

Approved Polypropylene Manufacturers

- * Natalini
- * DuraVent®
- * Centrotherm
- * Z-Flex®

Note: Maximum equivalent length may vary between manufacturers.

| Vent Material Options | |
|--|--|
| 165 & 205 | |
| 1 | 5"/3" [125mm/80m] polypropylene coaxial. |
| 2 | 3" [80mm] polypropylene twin pipe. Shall be polypropylene on BOTH intake and exhaust. |
| 3 | 2" [50mm] polypropylene twin pipe. Shall be polypropylene on BOTH intake and exhaust. |
| 4 | 3" [80mm] flexible polypropylene for chimney exhaust vent, shall have rigid 3" [80mm] polypropylene on air intake. |
| 5 | 3" [80mm] Twin pipe CPVC. PVC optional on intake ONLY. |
| * Note: Adapters and fittings used with all vent systems shall be from same manufacturer and compatible with the vent pipe. See list for approved Manufacturers. | |



View - Front of Boiler

