



CONDENSING GAS FIRED WALL MOUNTED BOILER

Models

DCB - 125/165

DCC - 150/205

PARTS, KITS & OPTIONAL ACCESSORIES

ORDERING INSTRUCTIONS
ORDER PARTS THROUGH YOUR NEAREST SUPPLIER.
WHEN ORDERING PARTS, OBTAIN MODEL NUMBER AND SERIAL NUMBER
FROM DATA PLATE ON YOUR BOILER.
INCLUDE FOLLOWING INFORMATION WHEN ORDERING.

PART NUMBER _____

PART DESCRIPTION _____

BOILER MODEL NUMBER _____

BOILER SERIAL NUMBER _____



MANUFACTURED BY:
ECR INTERNATIONAL INC.
2201 DWYER AVENUE, UTICA, NY 13501
TEL. 800 253 7900
WWW.ECRINTERNATIONAL.COM
PN 240011948 REV. C [03/31/2018]

TABLE OF CONTENTS

PARTS, KITS AND EXPLODED VIEW TABLE OF CONTENTS					
PAGE	DESCRIPTION	125	150	165	205
3	FRONT JACKET KITS	●	●	●	●
3	RIGHT SIDE JACKET KITS	●	●	●	●
3	LEFT SIDE JACKET KITS	●	●	●	●
4	COMBUSTION CHAMBER GASKET REPLACEMENT KITS	●	●	●	●
5	BURNER REPLACEMENT KITS	●	●	●	●
6	SIGHT GLASS REPLACEMENT KITS	●	●	●	●
6	IGNITION ELECTRODE REPLACEMENT KITS	●	●	●	●
6	FLAME SENSOR REPLACEMENT KITS	●	●	●	●
7	FAN, AIR MIXER, BLOWER REPLACEMENT KIT	●	●		
8	FAN, AIR MIXER, BLOWER REPLACEMENT KIT			●	●
9	DHW PLATE REPLACEMENT EXCHANGER KITS		●		●
10	THREE WAY VALVE MOTRO REPLACEMENT KITS	●	●		●
11	DHW TEMPERATURE SENSOR REPLACEMENT KITS		●		●
11	DHW SENSOR REPLACEMENT KIT FOR INDIRECT STORAGE TANK	●		●	
12	PCB/CONTROL REPLACEMENT KIT	●	●	●	●
12	SERVICE KEY REPLACEMENT KIT	●	●	●	●
13	FLUE GASKET REPLACEMENT KITS	●	●	●	●
13	SEALS, CLIPS, ETC, KIT	●	●	●	●
14	150 EXPLODED VIEW		●		
15	125 EXPLODED VIEW	●			
16	205 EXPLODED VIEW				●
17	165 EXPLODED VIEW			●	
18	PARTS LISTING	●	●	●	●
19	PARTS LISTING CONTINUED	●	●	●	●

JACKET KITS

550003161 FRONT JACKET REPLACEMENT KIT INCLUDES:					
DESCRIPTION	QTY PER	125	150	165	205
KIT,JKT,FRNT	1	●	●	●	●
BD,FRONTAL INSULATION PANEL	1	●	●	●	●
RVT, 1/8",SEALING	1	●	●	●	●
BEZEL,WNDW	1	●	●	●	●
NUT,PUSH,1/4"X17/32",PS250085OH	1	●	●	●	●
LBL,LOGO	1	●	●	●	●

125/150

KIT 550003165 - RIGHT SIDE JACKET REPLACEMENT KIT 125/150 - INCLUDES:			
DESCRIPTION	QTY PER	125	150
JKT,SIDE,RT,	1	●	●
BD, SIDE, INSULATION PANEL	1	●	●

KIT 550003163 - LEFT SIDE JACKET REPLACEMENT KIT 125/150 - INCLUDES:			
DESCRIPTION	QTY PER	125	150
JKT,SIDE,LT,	1	●	●

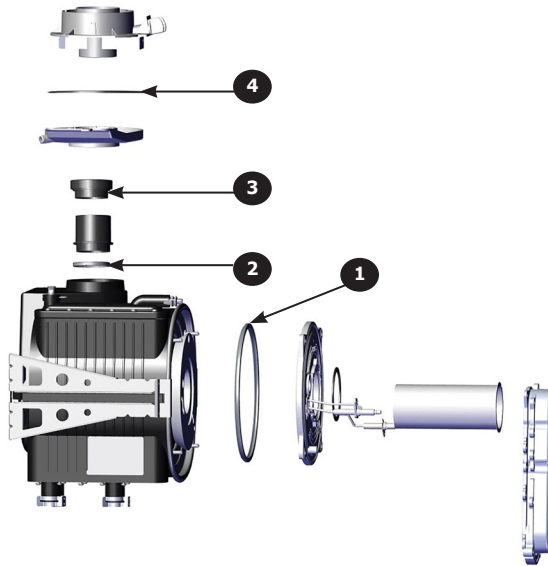
165/205

KIT 550003478- RIGHT SIDE JACKET REPLACEMENT KIT 165/205			
DESCRIPTION	QTY PER	165	205
JKT,SIDE,RT	1	●	●
LBL,WARN,SFTY	1	●	●

KIT 550003477- LEFT SIDE JACKET REPLACEMENT KIT 165/205			
DESCRIPTION	QTY PER	165	205
JKT,SIDE,LT,HO	1	●	●

COMBUSTION CHAMBER GASKET REPLACEMENT KITS

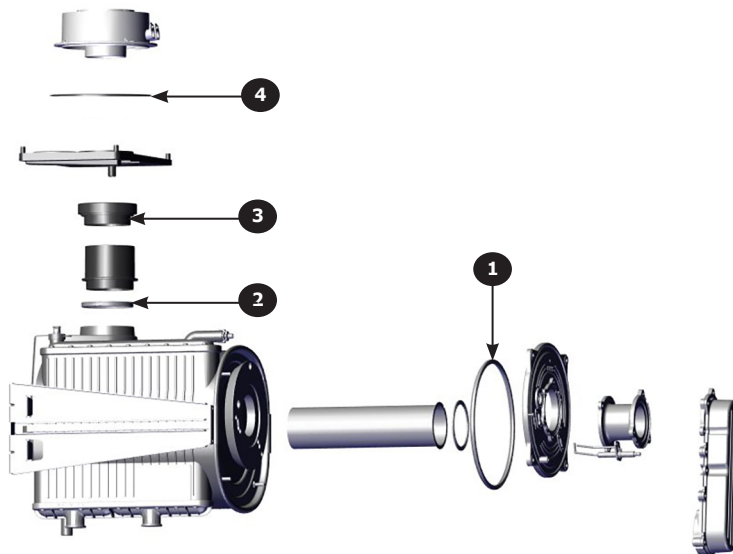
125/150



KIT 550003156 - COMBUSTION CHAMBER GASKET REPLACEMENT 125/150 - KIT INCLUDES:

POS	PN	DESCRIPTION	QTY PER	125	150
1	BD710111502V	COMBUSTION CHAMBER GASKET	1	●	●
2	BD710108001V	GASKET WITH DOUBLE LIP (CONDENSATE TRAY)	1	●	●
3	BD000005411030	GASKET (WATER TRAY TO HEAT EXCHANGER)	1	●	●
4	BD710107601V	FLUE ADAPTER GASKET	1	●	●
-	240011402	INSTRUCTIONS	1	●	●

165/205

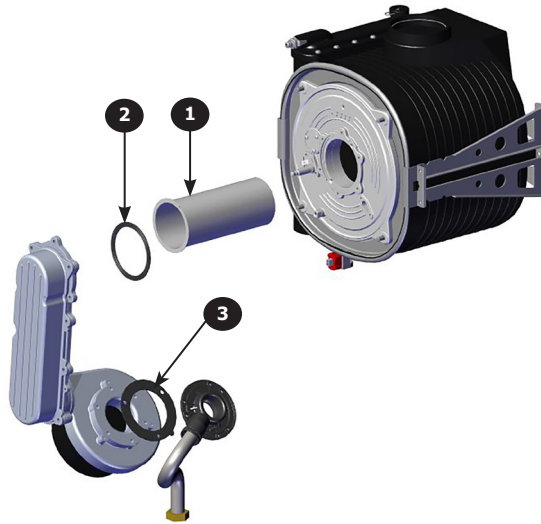


KIT 550003458 - HEAT EXCHANGER GASKET REPLACEMENT 165/205 - KIT INCLUDES:

POS	PN	DESCRIPTION	QTY PER	165	205
1	BD722003801V	COMBUSTION CHAMBER GASKET	1	●	●
2	BD767373901V	CONDENSATE TRAY SEAL	1	●	●
3	BD000005411030	GASKET (WATER TRAY TO HEAT EXCHANGER)	1	●	●
4	BD000005410712	GASKET, FLUE ADAPTER TO CABININT	1	●	●
-	240012082	INSTRUCTIONS 165/205	1	●	●

BURNER SERVICE AND REPLACEMENT KITS

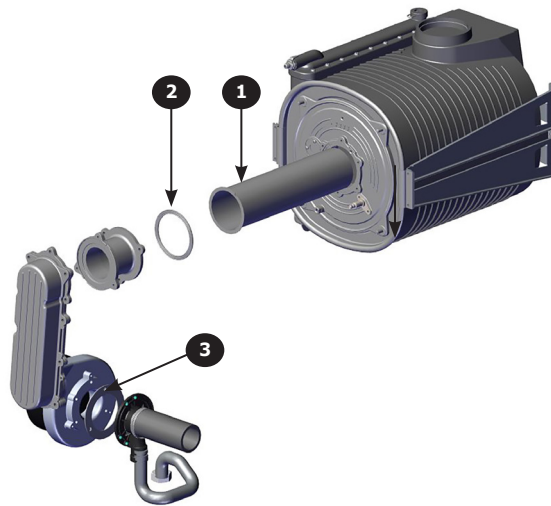
125/150



KIT 550003155 - BURNER SERVICE KIT 125/150 - KIT INCLUDES:

POS	PN	DESCRIPTION	QTY PER	125	150
1	BD711559101V	BURNER	1	●	●
2	BD711408002V	BD,GASKET, BURNER, ASSY	1	●	●
3	BD710115601V	BD,VENTURI GASKET, MIXER TO AIR/GAS	1	●	●
-	240011401	INST,GSKT,BNR,MAC/H,DCC/B	1	●	●

165/205

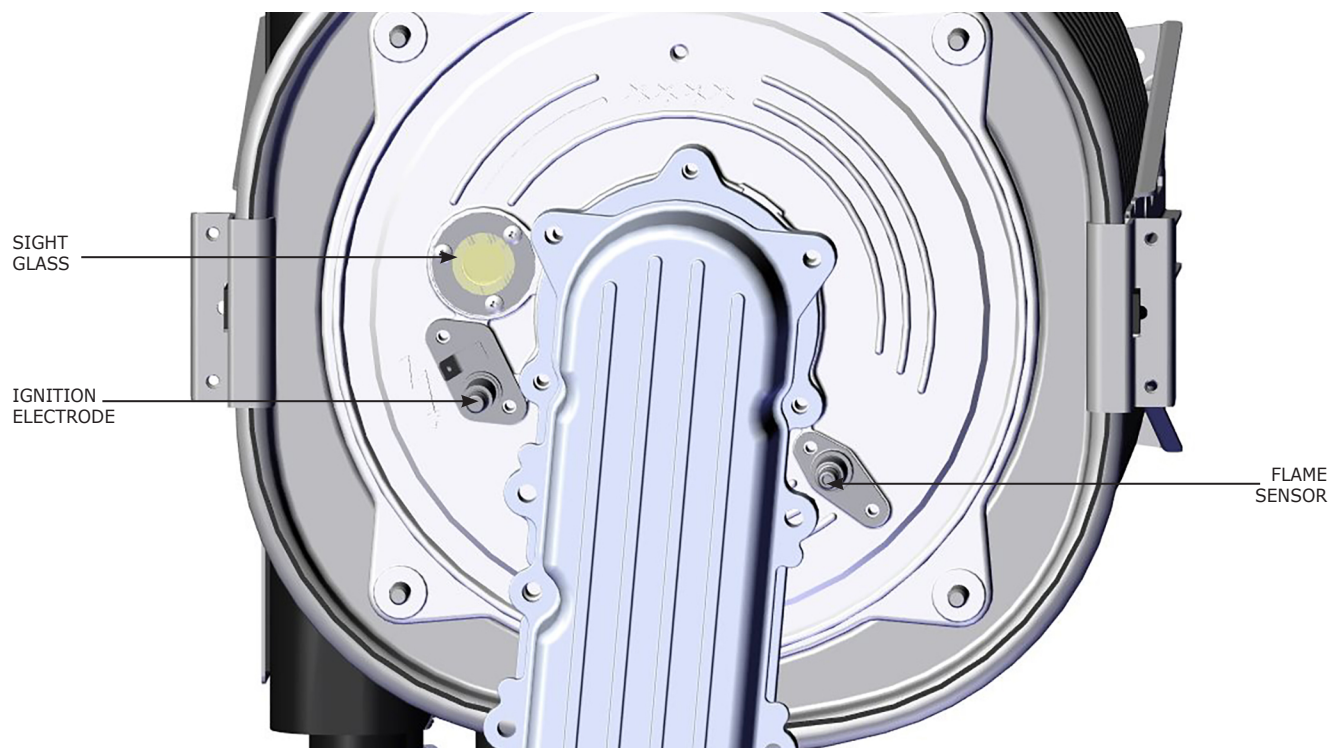


KIT 550003456 - BURNER SERVICE KIT 165/205 - KIT INCLUDES:

POS	PN	DESCRIPTION	QTY PER	165	205
1	BD769578001V	55 kW BURNER	1	●	●
2	BD711408002V	BD,GASKET, BURNER	1	●	●
3	BD710115601V	BD,VENTURI GASKET, MIXER TO AIR/GAS DUCT	1	●	●
-	240011401	INST,GSKT,BNR,MAC/H,DCC/B	1	●	●

SIGHT GLASS, FLAME SENSOR, AND IGNITION ELECTRODE REPLACEMENT KITS

125/150/165/205



KIT 550003157 - SIGHT GLASS REPLACEMENT KIT

PN	DESCRIPTION	QTY PER	125	165	150	205
BD710112202V	SIGHT GLASS GASKET	1	●	●	●	●
BD710112101V	SIGHT GLASS	1	●	●	●	●
240011403	SIGHT GLASS REPLACEMENT KIT INSTRUCTIONS	1	●	●	●	●

KIT 550003152 -IGNITION ELECTRODE REPLACEMENT KIT

PN	DESCRIPTION	QTY PER	125	165	150	205
BD711010701V	BD,ELECTRODE IGNITION	1	●	●	●	●
BD710185302V	BD,GSKT,IGN,PEN	1	●	●	●	●
240011398	INST,RPLMT,ELCTD,MAC/H,DCC/B	1	●	●	●	●

KIT 550003151 - FLAME SENSOR REPLACEMENT KIT

PN	DESCRIPTION	QTY PER	125	165	150	205
BD711010801V	BD,FLAME SENSOR,B&P	1	●	●	●	●
BD710185201V	BD,FLAME SENSING ELECTRIC GASKET	1	●	●	●	●
240011397	INST,RPLMT,,FLAME SNSR,MAC/H,DCC/B	1	●	●	●	●

FAN, AIR MIXER, BLOWER REPLACEMENT KITS

125/150

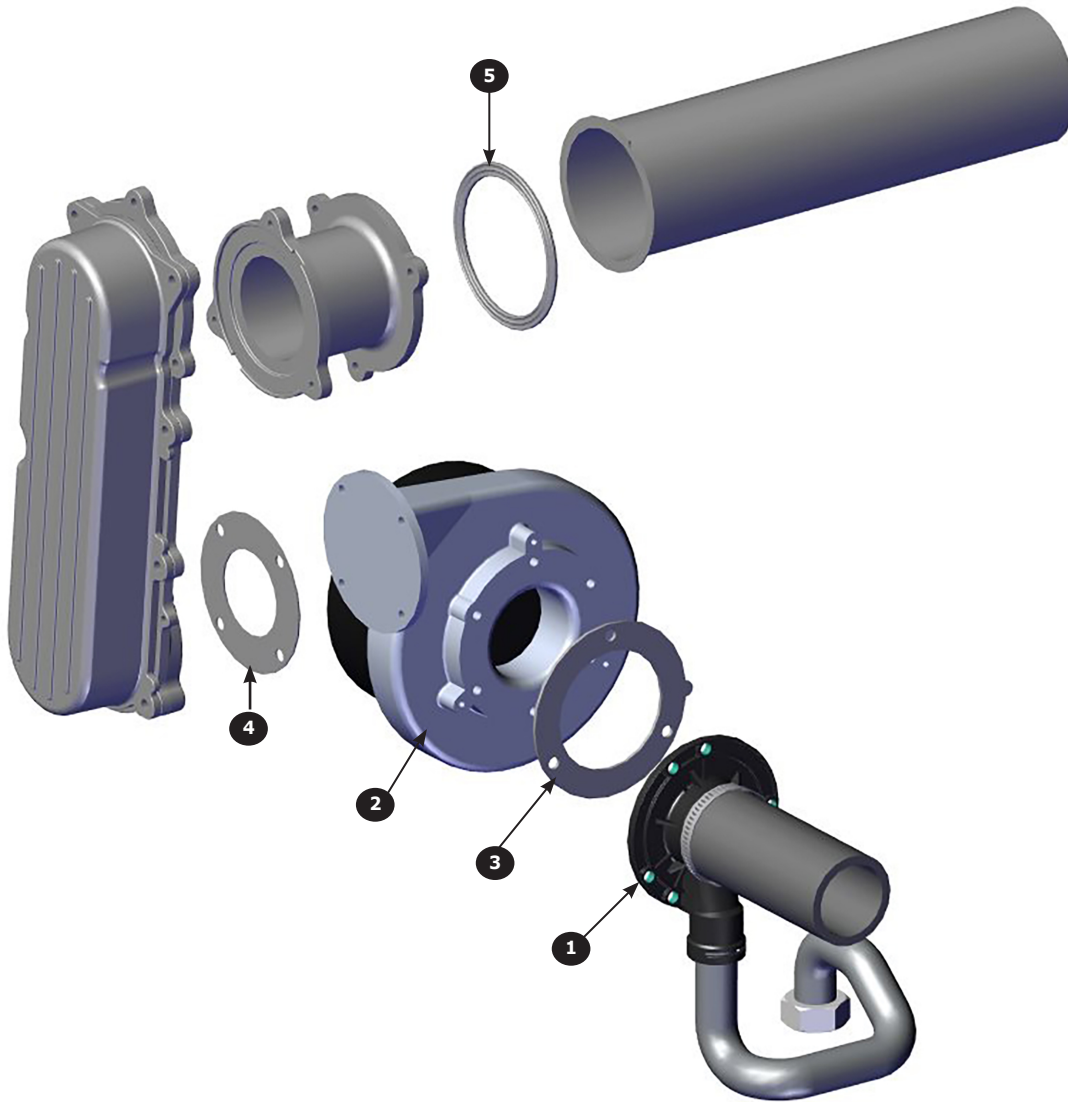


KIT 550003154 - REPLACEMENT, FAN MIXER 125/150 - KIT INCLUDES:

POS	PN	DESCRIPTION	QTY PER	125	150
1	BD710458103V	MIXER PL30 C1500107 (GAS TRAIN)	1	●	●
2	BD711073902V	FAN NRG 118 115W 120V (INDUCER)	1	●	●
3	BD710042401V	BD, VENTURI,GASKET MIXER TO FAN	1	●	●
4	BD710115601V	BD,GASKET, MIXER TO AIR/GAS DUCT	1	●	●
N/A	BD710011401V	BD,CLIP - FIXING GAS PIPE	1	●	●
N/A	BD710061402V	BD,O-RING 18X3 NBR	2	●	●
5	BD711408002V	BD,GASKET, BURNER	1	●	●
N/A	240011400	INST,RPLMT,FAN MXR, KIT INSTRUCTINS	1	●	●

FAN, AIR MIXER, BLOWER REPLACEMENT KITS

205/165

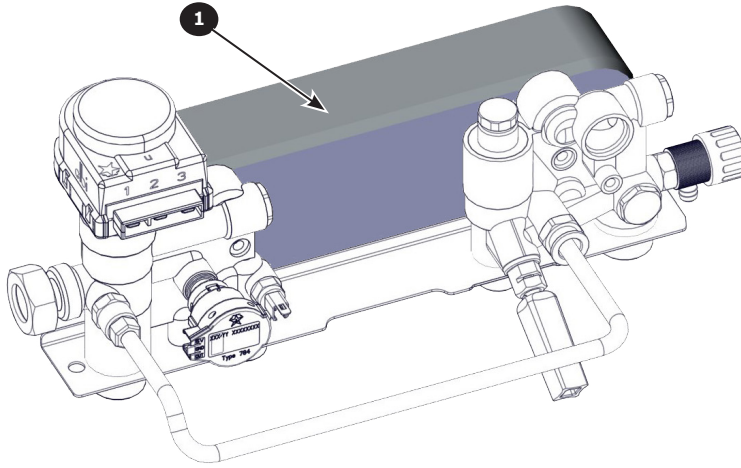


KIT 550003454 - REPLACEMENT, FAN MIXER 165/205 - KIT INCLUDES:

POS	PN	DESCRIPTION	QTY PER	165	205
1	BD769578101V	MIXER 165/205 B&P	1	●	●
2	BD769577901V	FAN NRG 118 115W 120V	1	●	●
3	BD710042401V	BD,VENTURI GASKET MIXER TO FAN	1	●	●
4	BD710115602V	BD,GASKET, MIXER TO AIR/GAS DUCT	1	●	●
NA	BD710011401V	BD,CLIP - FIXING GAS PIPE	1	●	●
NA	BD710061402V	BD,O-RING 18X3 NBR	2	●	●
5	BD711408002V	BD,GASKET, BURNER	1	●	●
NA	240011400	INST,RPLMT,FAN MXR, KIT INSTRUCTIONS	1	●	●

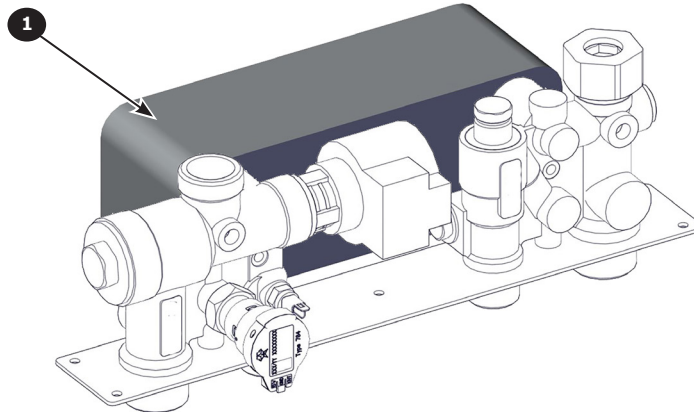
DHW PLATE REPLACEMENT KIT WITH GASKETS

150 ONLY



KIT 550003153 - DHW PLATE REPLACEMENT KIT WITH GASKETS - 150				
POS	PN	DESCRIPTION	QTY PER	150
1	BD711612501V	DHW PLATE EXCHANGER 20 PLATES	1	●
NOT SHOWN	BD722275601V	DHW PLATE EXCHANGER O-RING	4	●
-	240011399	INST,RPLMT,DHW PLT,MAC/H,DCC/B	1	●

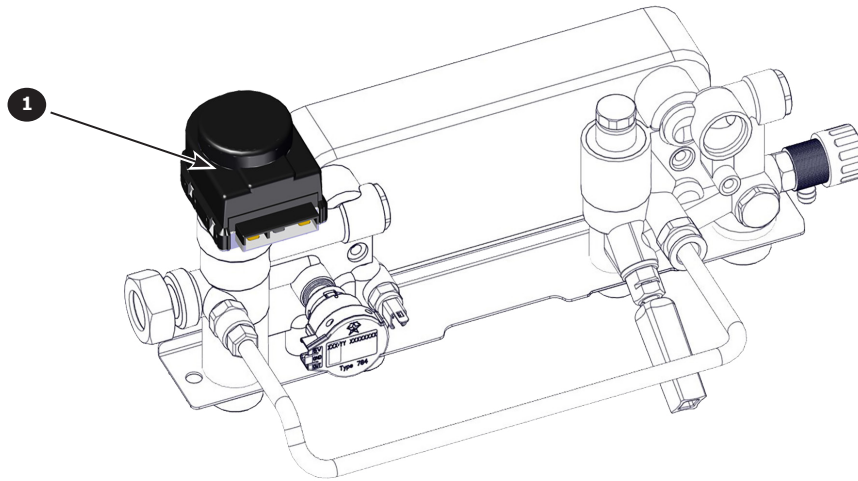
205 ONLY



KIT 550003455 - DHW PLATE REPLACEMENT KIT WITH GASKETS - 205				
POS	PN	DESCRIPTION	QTY PER	205
1	240012161	FLAT PLATE HEAT EXCHANGER : PTP EXCHANGER SEPE6TH 26P	1	●
NOT SHOWN	BD722275601V	BD,O-RING 18.3X3.6 R15	4	●
-	240011399	INST,RPLMT,DHW PLT	1	●

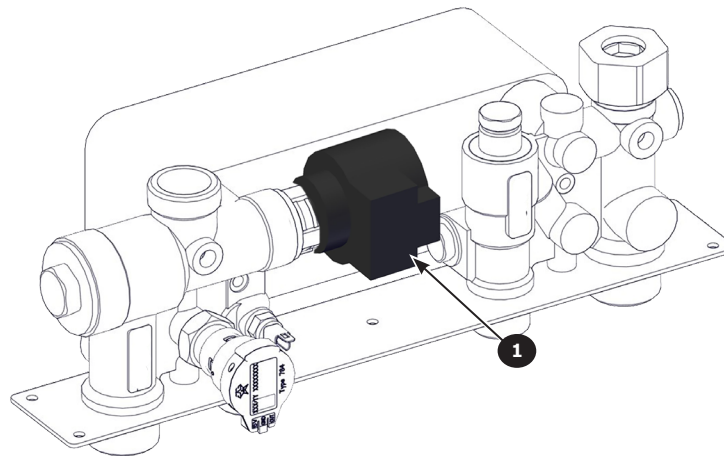
3 WAY VALVE MOTOR REPLACEMENT - KITS

125/150



KIT 550003166 - 3 WAY VALVE MOTOR REPLACEMENT - 125/150 KIT INCLUDES:					
POS	PN	DESCRIPTION	QTY PER	125	150
1	BD000005696391	3 WAY VALVE MOTOR 120V	1	●	●
NOT SHOWN	BD710189001V	GASKET, 7X26X2	1	●	●
-	240011406	INSTRUCTIONS	1	●	●

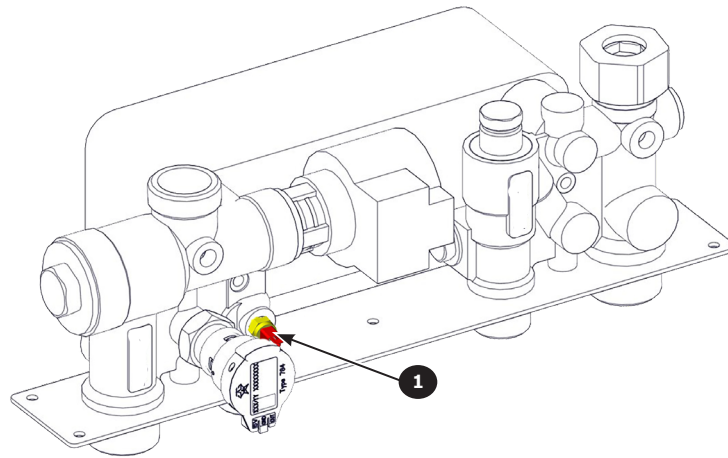
205 ONLY



KIT 550003460- 3 WAY VALVE MOTOR REPLACEMENT - 205 KIT INCLUDES:				
POS	PN	DESCRIPTION	QTY PER	205
1	240012162	BD, 3WV MOTOR 110V 205	1	●
NOT SHOWN	240012163	CLIP FOR MOTOR	1	●
-	240012116	INSTRUCTIONS	1	●

SENSOR REPLACEMENT - KITS

150/205



KIT 55003159 - DHW TEMPERATURE SENSOR REPLACEMENT KIT 150/205 - INCLUDES:					
POS	PN	DESCRIPTION	QTY PER	150	205
1	BD710831501V	BD,NTC SENSOR HONEYWELL-S011026	1	●	●
NOT SHOWN	BD710189001V	BD,GASKET 9,7X15X2	1	●	●
-	240011405	INST,SNSR,DHW TEMP	1	●	●

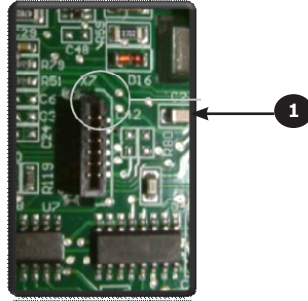
125/165



KIT 55003189 - DHW SENSOR REPLACEMENT KIT FOR INDIRECT STORAGE TANK 125/165 - INCLUDES:					
POS	PN	DESCRIPTION	QTY PER	125	165
1	KHG714076810	BD,KIT,DHW,SENSOR	1	●	●
NOT SHOWN	240008013	CLIP,MTG,HW,32002656	1	●	●
NOT SHOWN	240010821	THERMOPASTE,1OZ	1	●	●
N/A	240011464	INST,KIT,DHW,SNSR,TANK	1	●	●

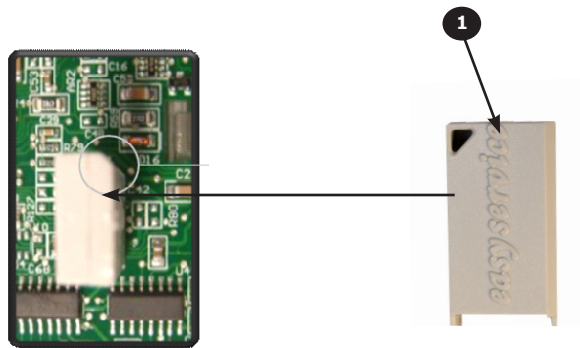
PCB /CONTROL REPLACEMENT KIT

125/150/165/205



KIT 550003502 - PCB /CONTROL REPLACEMENT KIT W/O KEY - INCLUDES:							
POS	PN	DESCRIPTION	QTY PER	125	165	150	205
1	BD770219401	BD,PCB,B&P,HAGC03-BX04,W/O SVC KEY	1	●	●	●	●
-	240012196	INST,KIT,CTRL RPLMT,MAC/H,DCC/B 125-205	1	●	●	●	●

125/150/165/205



KIT 550003191 - SERVICE KEY REPLACEMENT KIT - INCLUDES:							
POS	PN	DESCRIPTION	QTY PER	125	165	150	205
1	BD710707701N	BD,SERVICE KEY	1	●	●	●	●
-	240012196	INST,KIT,CTRL RPLMT	1	●	●	●	●

FLUE GASKET CONNECTION REPLACEMENT - KITS

125/150

KIT 550003158 - FLUE GASKET CONNECTION REPLACEMENT 125/150 - KIT INCLUDES:				
PN	DESCRIPTION	QTY PER	125	150
BD710107601V	GASKET ADAPTER (FLUE)	1	●	●
BD710784801V	SUCTION CAP GASKET	1	●	●
BD710107401V	WASHER DIA 60 OUTLET BEND (FLUE ADAPTER)	1	●	●
BD710107101V	WASHER DIA 100 OUTER ADAPTER SEAL (FLUE ADAPTER)	1	●	●
240011404	INSTRUCTIONS - 240011404	1	●	●

165/205

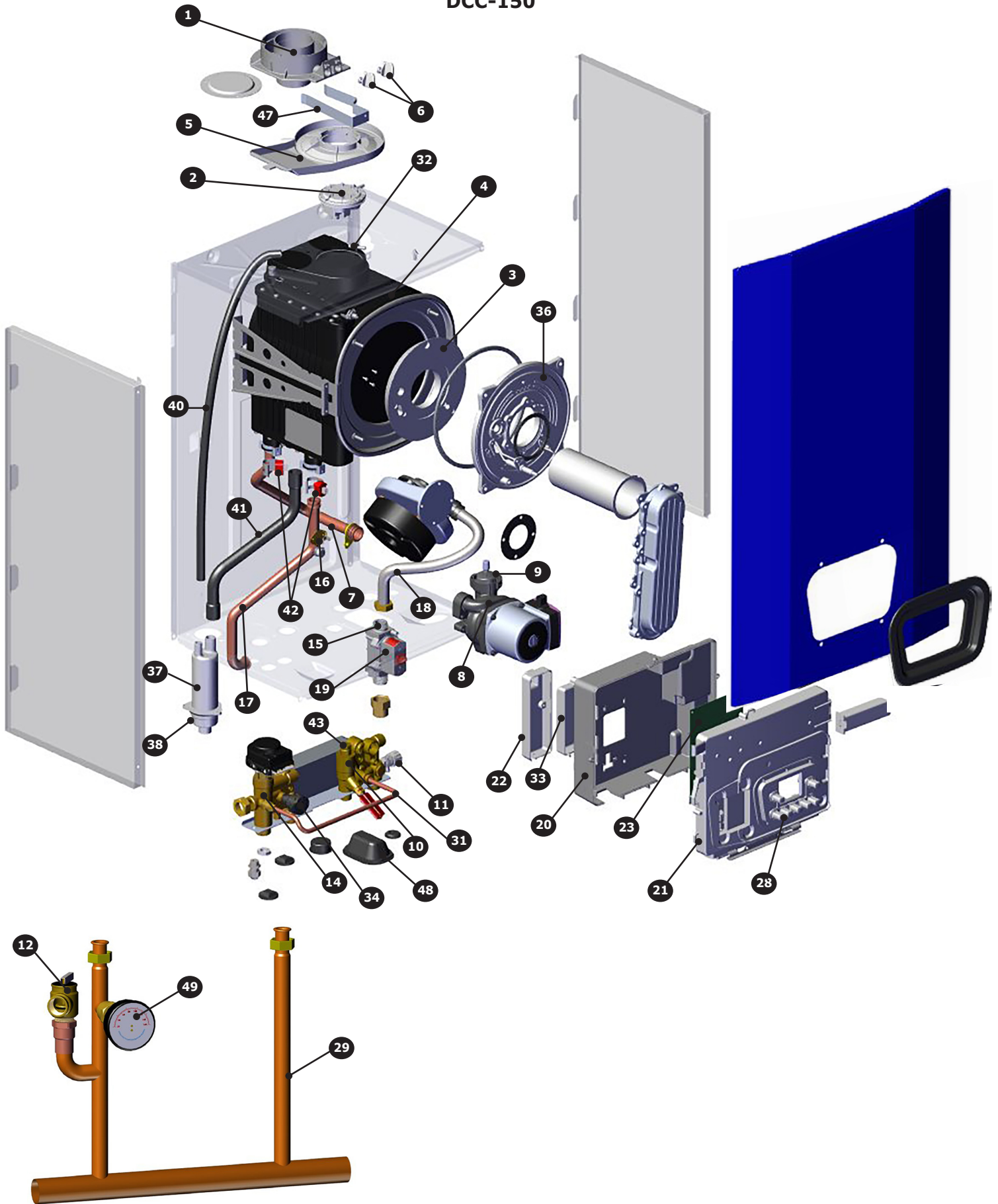
KIT 550003264 - FLUE GASKET CONNECTION REPLACEMENT 165/205 - KIT INCLUDES:				
PN	DESCRIPTION	QTY PER	165	205
BD000005670522	GASKET ADAPTER (FLUE)	1	●	●
BD000005410712	SEAL, FLUE ADAPTER	1	●	●
BD710300601V	COVER PLATE, TWIN PIPE	1	●	●
BD710784801V	GASKET, COVER PLATE, TWIN PIPE	1	●	●
BD710107801V	O-RING, 8.73X1.78	1	●	●
240011727	INSTRUCTIONS	1	●	●

SEALS, CLIPS, ETC. - KIT

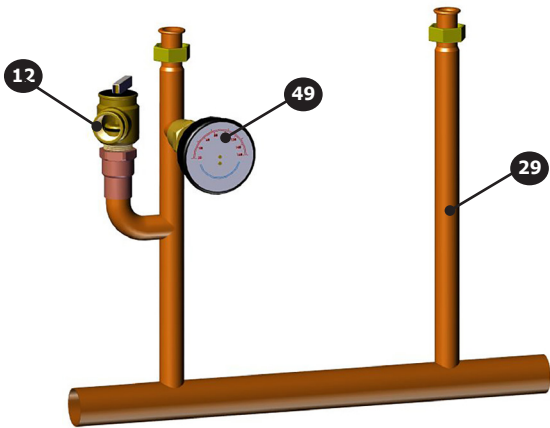
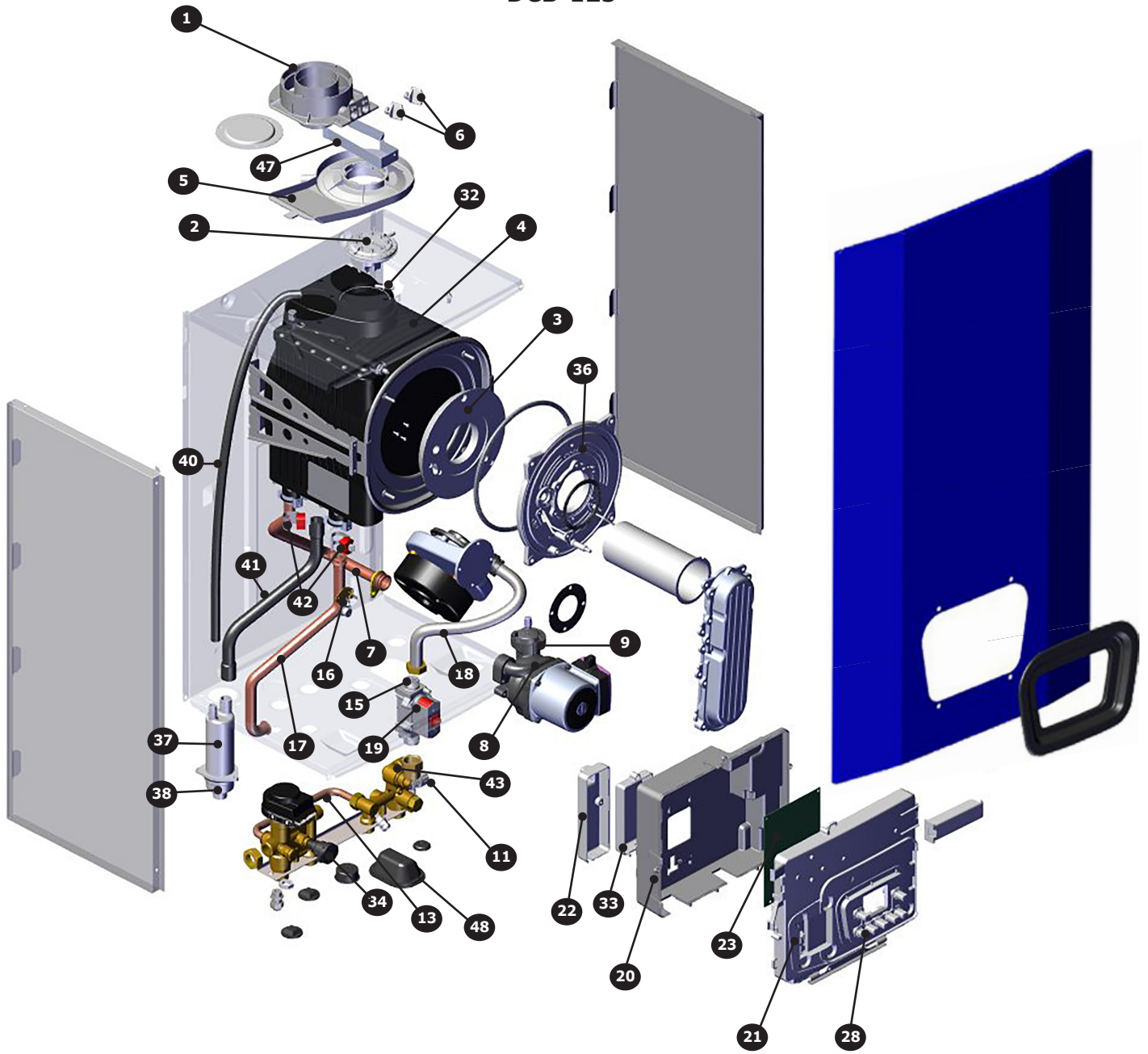
KIT 550003150 - SEALS, CLIPS, ETC - KIT INLCUDES:						
PN	DESCRIPTION	QTY PER	125	165	150	205
BD721623501V	BD, FIXING CLIP - HEX PIPES	2	●	●	●	●
BD710963001V	BD, O-RING 21,5X3 EP7	2	●	●	●	●
BD722275601V	BD, O-RING 18.3X3.6 R15-	4			●	
BD710188902V	BD, FIXING CLIP	2	●		●	●
BD710189001V	BD, GASKET 9,7X15X2	1			●	●
BD710113601V	BD, GASKET G1/2 AFM	2	●		●	
BD710113001V	BD, GASKET G3/4 17X24X2	2	●	●	●	●
BD710188501V	BD, FIXING CLIP - 3WAY VALVE MOTOR	1	●		●	
BD710108401V	BD, ANELLO OR 11,91X2,62	3	●			
BD000005411331	BD, O-RING 20,24X2,62	4	●	●	●	●
BD710188701V	BD, FIXING SPRING	1			●	
BD710107801V	BD, O-RING 8,73X1,78	5	●		●	
BD710039501V	BD, HYDRAULIC GROUP GASKET	5	●		●	●
BD710110901V	BD, O-RING 40,95X2,62	1	●		●	
BD000005402141	BD, PUMP GASKET G1 1/2, 380	2		●		●
BD000005405001	BD, GASKET G1 22X30,3X2 WRC, 240/380	1		●		●
BD710011401V	BD, CLIP - FIXING GAS PIPE	1	●	●	●	●
BD710045702V	BD, OR, 9,19X2,62, EDPM	1		●		
BD710061402V	BD, O-RING 18X3 NBR	1	●	●	●	●
BD710110601V	BD, CLIP D10, BITRON, 240/380	1		●		
BD710111001V	BD, SPRING CLIP BIFM182	2	●	●	●	●
BD710151101V	BD, SPRING CLIP BIFM252	2	●	●	●	●
BD710397801V	BD, GSKT, G1", 31X42, FOAM, 240/380	2		●		●

PARTS AND ACCESSORIES

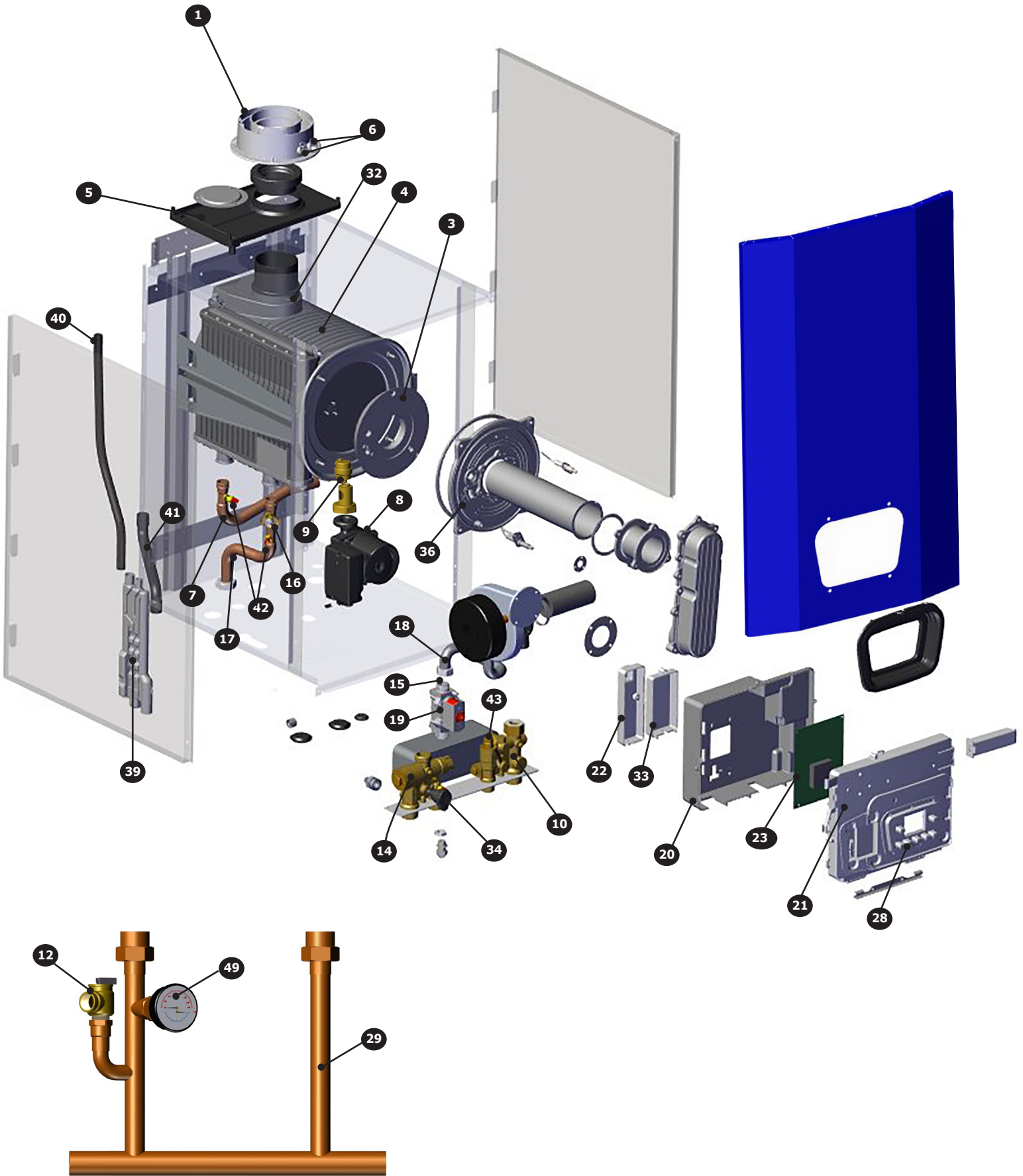
DCC-150



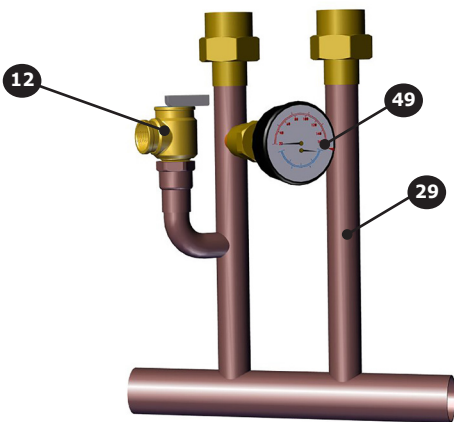
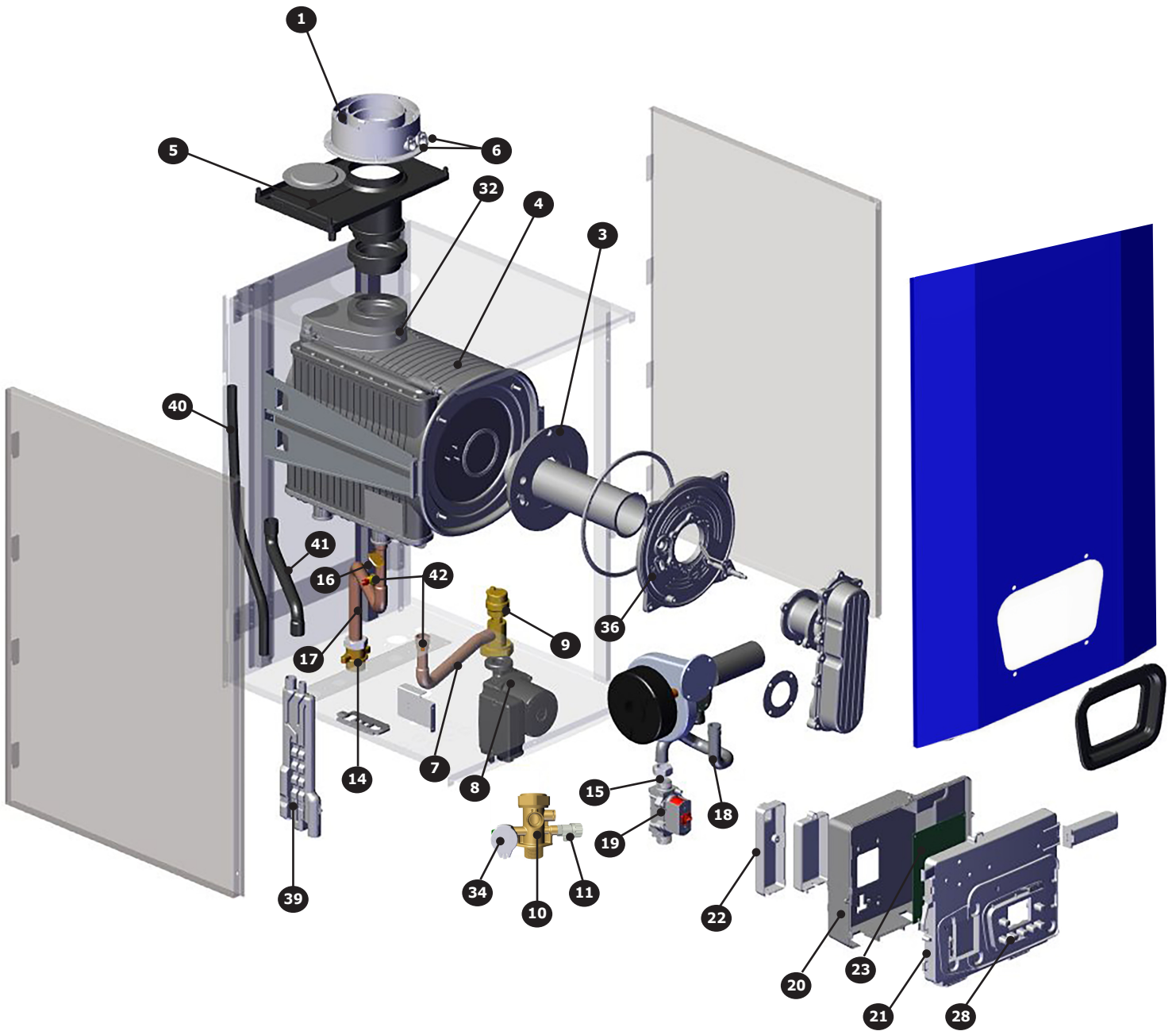
DCB-125



DCC-205



DCB-165



PARTS AND ACCESSORIES

ITEM	PN	DESCRIPTION	DCC-150	DCB-125	DCC-205	DCB-165
1	BD711085101V	FLUE CONNECTION 125/150	●	●		
	BD000005670522	FLUE CONNECTION 165/205			●	●
2	BD000005679722	FLUE PRESSURE SWITCH 400-350PA	●	●		
3	BD710111601V	INSULATION PANEL (HEAT EXCHANGER)	●	●	●	●
4	BD711447001V	HEAT EXCHANGER 125/150	●	●		
	BD767801501V	HEAT EXCHANGER 165/205			●	●
5	BD710282301V	CONDENSING WATER COLLECTOR 125/150	●	●		
	BD767553501V	CONDENSING WATER COLLECTOR 165/205			●	●
6	BD710100701V	TEST POINT PLUG	●	●	●	●
7	BD711425802V	PUMP/EXCHANGER PIPE ASSEMBLY 125/150	●	●		
	BD766949001V	PUMP/EXCHANGER PIPE ASSEMBLY 205			●	
	BD767944701V	PUMP/EXCHANGER PIPE ASSEMBLY 165				●
8	BD710786502V	PUMP UPR 120V 125/150	●	●		
	BD722354801V	PUMP UPR 120V 165/205			●	●
9	BD710493600V	AIR VENT PUMP GR. 125/150	●	●		
	BD710715302V	AIR VENT PUMP 165/205			●	●
10	BD711607101V	RETURN BLOCK ASSY 150	●			
	BD710735501V	RETURN BLOCK ASSY 125		●		
	240012164	RETURN BLOCK ASSY 205			●	
	BD711238101V	RETURN BLOCK ASSY 165				●
11	BD710188101V	120074 DRAINING TAP	●	●	●	●
12	BD000005669851	SAFETY VALVE ASSY 30 PSI 125/150	●	●	●	●
13	BD710267001V	BY-PASS PIPE ASSY 125		●		
14	BD711605801V	SUPPLY BLOCK / 3 WAY VALVE ASSY 150	●			
	BD710266901V	SUPPLY BLOCK / 3 WAY VALVE ASSY 125		●		
	240012165	SUPPLY BLOCK / 3 WAY VALVE ASSY 205			●	
	BD711237001V	SUPPLY BLOCK ASSY 165 (NPL,G1"X1"NPT)				●
15	BD710458501V	GAS NOZZLE 5,8 MM ORIFICE 125/150	●	●		
	BD768414801V	GAS NOZZLE 9MM ORIFICE 165/205			●	●
16	BD710626001V	TEMP SENSOR / HIGH LIMIT	●	●	●	●
17	BD711425902V	PIPE HTEX SUPPLY 125/150	●	●		
	BD766948901V	PIPE HTEX SUPPLY 205			●	
	BD767944601V	PIPE HTEX SUPPLY 165				●
18	BD711007101V	FLEXIBLE GAS PIPE 125/150	●	●		
	BD769059001V	FLEXIBLE GAS PIPE 165/205			●	●
19	BD710089606V	GAS VALVE B&P SGV100	●	●	●	●
20	BD711075102V	CONTROL PANEL COVER	●	●	●	●
21	BD711074801V	CONTROL PANEL	●	●	●	●
22	BD711075601V	TERMINAL BLOCK COVER V0	●	●	●	●
23	550003502	KIT, RPLMT, CTRL	●	●	●	●
*	BD000005688441	TERMINAL BLOCK	●	●	●	●
*	BD5405340V	FUSE HOLDER	●	●	●	●
*	BD8422730V	FUSE 3,15A 250V	●	●	●	●
*	BD711366901V	120V INTERFACE BOARD WITH CONNECTOR	●	●	●	●
28	BD710126301V	7 PUSH BUTTON PANEL B&P WASHER	●	●	●	●

* NOT SHOWN

PARTS AND ACCESSORIES

ITEM	PN	DESCRIPTION	DCC-150	DCB-125	DCC-205	DCB-165
29	550003365	MANIFOLD CONNECTION ASSEMBLY 150	●			
	550003366	MANIFOLD CONNECTION ASSEMBLY 125		●		
	240011866	MANIFOLD CONNECTION ASSEMBLY 205			●	
	240011771	MANIFOLD CONNECTION ASSEMBLY 165				●
*	BD000005643331	GAS SHUTOFF VALVE	●	●	●	●
31	BD711052301V	FILLING PIPE	●			
32	BD711180100	NTC SENSOR FLUE	●	●	●	●
33	BD711075801V	COVER CLIP-IN	●	●	●	●
34	BD710109101V	PRESSURE SENSOR WATER	●	●	●	●
*	BD710127501V	CABLE DETECTION ELECTRODE 125/150	●	●		
	BD710993801V	CABLE DETECTION ELECTRODE 165/205			●	●
36	BD711407900	HEAT EXCHANGER ALUMINUM DOOR 125/150	●	●		
	BD766847401V	HEAT EXCHANGER ALUMINUM DOOR 165/205			●	●
37	BD710016703V	SIPHON BODY (CONDENSATE COLLECTION)	●	●		
38	BD710522301V	PLUG SIPHON (CONDENSATE COLLECTION)	●	●		
39	BD765674901V	CONDENSATE TRAP 165/205			●	●
40	BD710066102V	HOSE EXCHANGER / COND TRAP 125/150	●	●		
	BD766859301V	HOSE EXCHANGER / COND TRAP 165/205			●	●
41	BD710066001V	HOSE CONDENSATE TRAY TO TRAP 125/150	●	●		
	BD766859801V	HOSE CONDENSATE TRAY TO TRAP 165/205			●	●
42	BD722143801V	TEMPERATURE SENSOR - CLIP ON 125/150	●	●		
	BD710831501V	TEMPERATURE SENSOR - WELL MOUNT 165/205			●	●
43	BD710189401V	FLOW DETECTOR	●	●	●	
*	BD710117601V	TERMINAL BLOCK (6-POSITION)	●	●		
*	BD710014803V	WALL MOUNT BRACKET 125/150	●	●		
	109009874	WALL MOUNT BRACKET 165/205			●	●
47	BD711085501V	REDUCTION FLUE SUPPORT	●	●		
48	BD710156201V	SEAL FILLING TAP	●			
	BD721583002V	SEAL FILLING TAP		●		
*	BD710117901V	TERMINAL BLOCK 10 PIN	●	●	●	●
49	1260006SP	PRESSURE/TEMPERATURE GAUGE	●	●	●	●
*	240011392	PLUG, 49MM	●	●		
*	BD000008417651	POWER CABLE UL-CSA	●	●	●	●
*	BD71010311V	CABLE GROUND FRAME	●	●	●	●
*	BD71026700V	CABLE TERM. BLOCK ROOM THERMOST	●	●	●	●
*	BD710992901V	REMOTE CONTROL CABLE	●	●	●	●
*	BD710993001V	GAS VALVE POWER CABLE	●	●	●	●
*	BD710993101V	LOW TENSION CABLE	●		●	
*	BD710993201V	CABLE PWM FAN	●	●	●	●
*	BD710993301V	CABLE 3WV/PUMP/FAN	●	●	●	●
*	BD710993405V	PCB POWER CABLE	●	●	●	●
*	BD710993502V	CABLE EXTERNAL BOILER	●		●	
*	BD710993702V	CABLE SAFETY THERMOSTAT	●	●	●	●
*	BD710993901V	LOW TENSION CABLE		●		●
*	BD710994002V	CABLE EXTERNAL SENSOR/BOILER		●		●
*	BD711065801V	CABLE NTC FLUE	●	●	●	●
*	BD711250601V	IGNITION CABLE 125/150	●	●		
*	BD710126203V	IGNITION CABLE 165/205			●	●



2201 DWYER AVENUE, UTICA, NY 13501
TEL. 800 253 7900
WWW.ECRINTERNATIONAL.COM

ALL SPECIFICATIONS SUBJECT TO CHANGE WITHOUT NOTICE.
©2018 ECR INTERNATIONAL, INC.