

**OPTIONAL FLOOR BASE KIT
550003302/550003304 INSTRUCTIONS
FOR UCS & DMG 240 BOILER**

Kit installation shall be completed by qualified agency.

⚠ WARNING

Fire, explosion, asphyxiation and electrical shock hazard. Improper installation could result in death or serious injury. Read these instructions and understand all requirements, including requirements of authority having jurisdiction, before beginning installation. Installation not complete until appliance operation is verified per Installation, Operation & Maintenance Manual provided with boiler.

⚠ WARNING

Fire Hazard! Do not install on carpeting. Failure to follow these instructions could result in death or serious injury.

⚠ CAUTION

Laceration, burn hazard. Metal edges and parts may have sharp edges and/or may be hot. Use appropriate personal protection equipment to include safety glasses and gloves when installing or servicing this appliance. Failure to follow these instructions could result in minor or moderate injury.

⚠ CAUTION

Boiler weight exceeds 100 pounds (45 kg). Do not lift boiler without assistance.

Optional Floor Base Installation Instructions

1. Follow all instructions for proper installation as listed in the Installation, Operation and Maintenance Manual including but not limited to "Clearances to Combustible Materials".

⚠ WARNING

Electrical shock hazard. Turn OFF electrical power supply at service panel.

2. Verify all gas and electrical power are turned off before attempting base installation.
3. Remove two (2) screws from front panel of boiler. Lift panel off.

⚠ WARNING

Burn hazard. Verify unit has cooled before servicing. Use appropriate personal protection equipment.

4. Inspect combustion chamber through sight glass. Verify flame is not present. See Figure 1.
5. Press tabs at side of control. Place control panel in downward position.
6. Remove front panel from base by removing screws. Lift panel off base.

Figure 1 - 240 Front of Boiler with Control Lowered

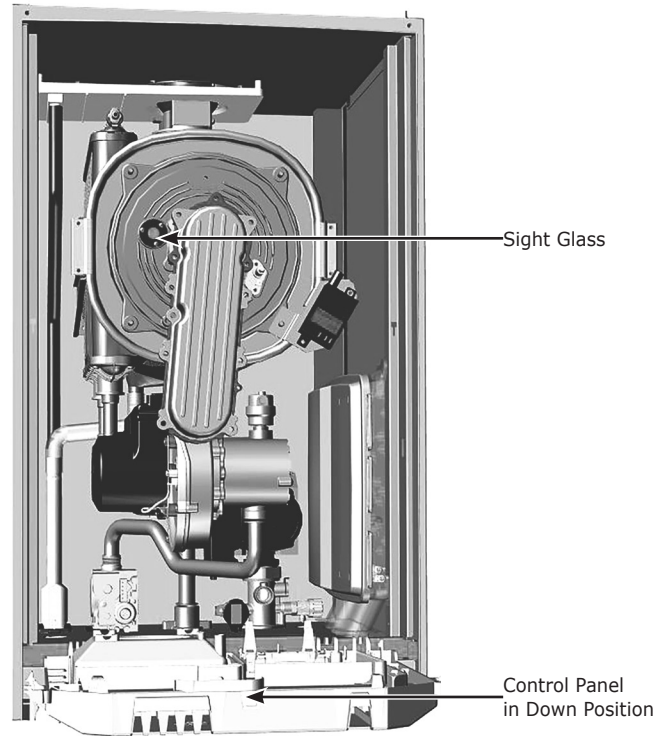
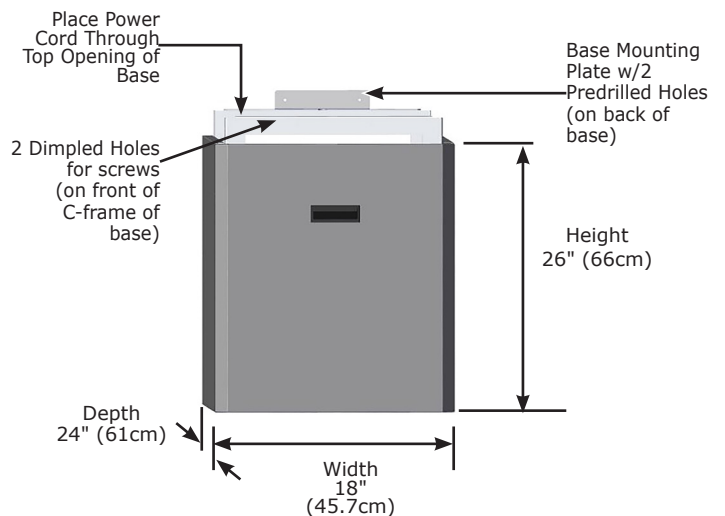


Figure 2 - Front of 240 Optional Base



Illustrations are a depiction of the boiler for general location of parts and are subject to change without notice.

OPTIONAL FLOOR BASE KIT INSTRUCTIONS

- Place boiler onto base. Take precaution not to entrap power cord. Place power cord through top opening of base.

Note

Boiler weight exceeds 100 lbs. (45Kg). Use best lifting practice and lifting weight limit per individual. See Caution.

- Align front of boiler with front of base. Front of base has notches in vertical rails to assist alignment. Manufacturer recommends use of assistance when lifting boiler to place on base.
- Mounting plate has two (2) pre-drilled holes for screws to secure boiler to base and back mounting plate. See Figure 2.
- Secure boiler to base with screws into front mounts using pre-stamped dimple in C frame of boiler.
- Install boiler front panel and secure with screws.
- Install base front panel and secure with screws. Manufacturer suggests making all install connections before securing base panels.
- Resume boiler installation following Installation, Operation & Maintenance Manual.
- Install front panel. Secure in place with removed screws.
- Verify proper operation

Note

When mounting 240 boiler on base, Temperature Pressure Gauge and Safety Relief Valve ports on included manifold are not used. Temperature Pressure Gauge and Safety Relief Valve must be visible and accessible. Use plugs included with this kit to seal these ports.

Note

For alternate Piping configurations without use of the manifold contact Technical Support @ 800-253-7900.

Note

Boiler weight exceeds 100 lbs. (45Kg). Use best lifting practice and lifting weight limit per individual. See Caution.

⚠ WARNING

Fire, explosion, and asphyxiation hazard. Follow all requirements as listed in the Installation, Operation and Maintenance manual for this boiler. Failure to follow these instructions could result in death or serious injury.

⚠ WARNING

Burn and scald hazard. Safety relief valve could discharge steam or hot water during operation. Follow all requirements as listed in the Installation, Operation and Maintenance Manual, Section 5 for this boiler. Failure to follow these instructions could result in death or serious injury.

Figure 3 - Suggested Piping For Use of Floor Base Kit

