



CONDENSING GAS FIRED
FLOOR OR WALL MOUNTED
BOILER

Model
DMG-240

**PARTS, KITS &
OPTIONAL ACCESSORIES**

ORDERING INSTRUCTIONS
ORDER PARTS THROUGH YOUR NEAREST SUPPLIER.
WHEN ORDERING PARTS, OBTAIN MODEL NUMBER AND SERIAL NUMBER
FROM DATA PLATE ON YOUR BOILER.
INCLUDE FOLLOWING INFORMATION WHEN ORDERING.

PART NUMBER _____

PART DESCRIPTION _____

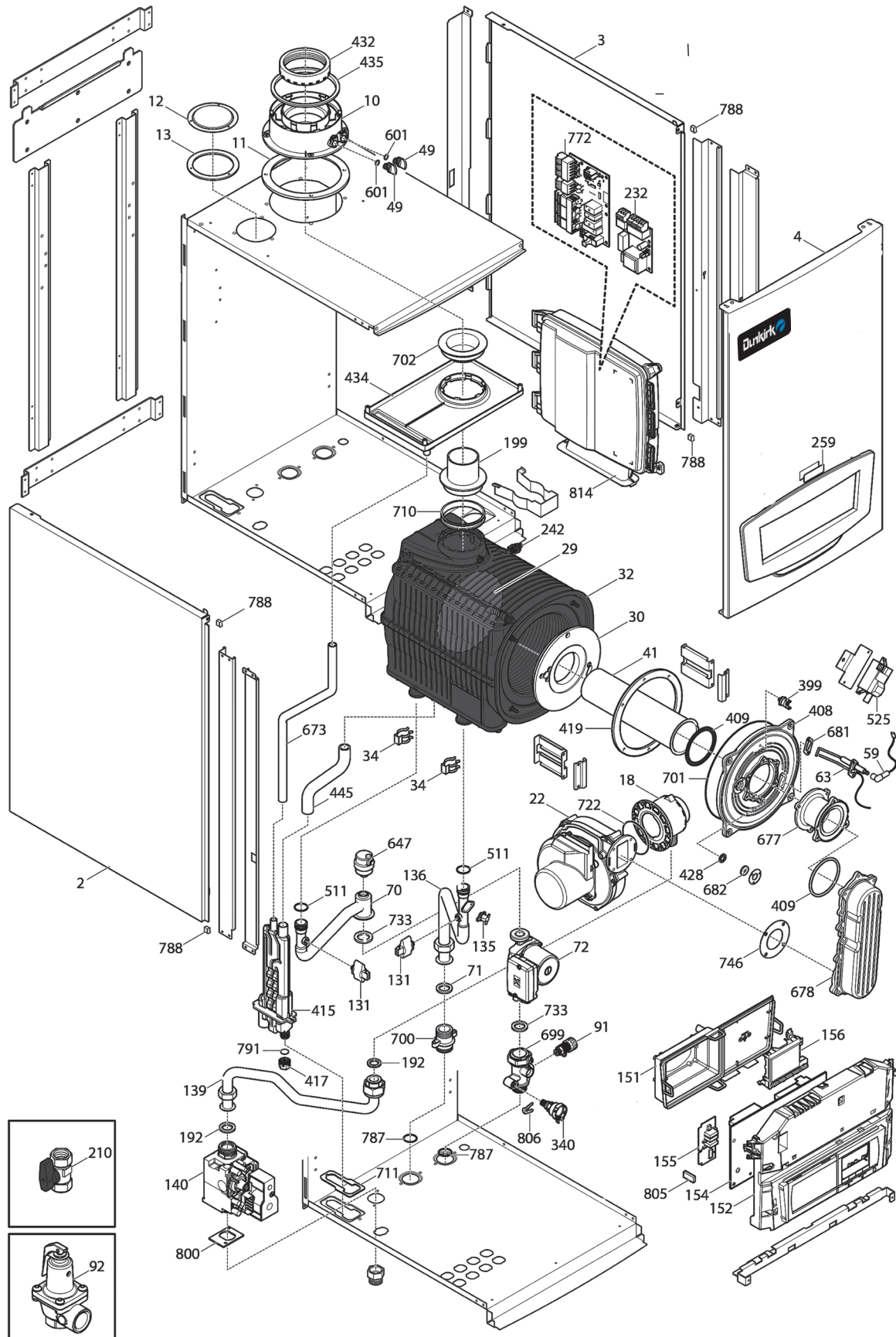
BOILER MODEL NUMBER _____

BOILER SERIAL NUMBER _____



MANUFACTURED FOR:
ECR INTERNATIONAL, INC.
2201 Dwyer Avenue, Utica NY 13501
web site: www.ecrinternational.com

P/N 240011657, Rev. A [12/15/2016]



DESCRIPTION OF PARTS

ITEM	PN	DESCRIPTION
2	SEE KIT 550003273	LEFT PANEL KIT ASSEMBLY
3	SEE KIT 550003274	RIGHT PANEL KIT ASSEMBLY
4	SEE KIT 550003275	FRONT PANEL ASSEMBLY
10	SEE KIT 550003264	FLUE CONNECTION ASSEMBLY
11	SEE KIT 550003264	GASKET ADAPTER
12	SEE KIT 550003264	PLATE BLANKING
13	SEE KIT 550003264	SUCTION CAP GASKET
18	SEE KIT 550003265	KIT GPL DUO-TEC MP 70
22	SEE KIT 550003245	FAN 250W 120V 60 HZ
29	SEE KIT 550003256	COMBUSTION CHAMBER REAR INSUL.
30	SEE KIT 550003257	FRONTAL INSULATING PANEL
32	SEE KIT 550003256	HEAT EXCHANGER ISOTHERMIC
34	BD000005652731	EXCHANGER CLIP
41	SEE KIT 550003246	BURNER 65 KW
49	SEE KIT 550003264	FLUE TEST CAP
59	BD7214720V	CABLE ELECTRODE IGNITION
63	SEE KIT 550003249	ELECTRODE - IGNITION
70	SEE KIT 550003255	RETURN PIPE ASSY
71	SEE KIT 550003260	SEALING WASHER - G1
72	SEE KIT 550003248	PUMP UPER 25-78 115V 60 HZ
91	SEE KIT 550003252	DRAINING TAP
92	BD721851901V	PRESSURE RELIEF VALVE
131	BD722601801V & SEE KIT 550003254	NTC SENSOR
135	BD710626001V & SEE KIT 550003254	SUPPLY HIGH LIMIT
136	SEE KIT 550003254	FLOW PIPE
138	SEE KIT 550003244 & SEE KIT 550003254	SEALING WASHER G3/4 GAS
139	SEE KIT 550003261	PIPE GAS VALVE/MIXER
140	SEE KIT 550003244	GAS VALVE SIT 848 120V-60HZ
151	SEE KIT 550003271	CONTROL COVER
152	SEE KIT 550003271	CONTROL
154	SEE KIT 550003268	PCB PCU-04
155	SEE KIT 550003269	SAFETY PCB
156	SEE KIT 550003270	PCB DISPLAY
192	SEE KIT 550003261	SEALING WASHER G 3/4
199	SEE KIT 550003256	JOINT EXCHANGER/DISCHARGE DUCT D
210	BD000005643331	GAS SHUT OFF VALVE
232	SEE KIT 550003267	PCB INTERFACE
242	SEE KIT 550003256	NTC SENSOR
340	SEE KIT 550003253	PRESSURE SENSOR

ITEM	PN	DESCRIPTION
399	BD711427701V	SAFETY THERMOSTAT 260°C
408	SEE KIT 550003257	COMB.CHAMBER UPPER COVER
409	SEE KIT 550003246 & SEE KIT 550003258 & SEE KIT 550003259	BURNER GASKET ASS.
415	SEE KIT 550003247	SIPHON BODY H220
417	SEE KIT 550003247	GASKET PLUG
419	SEE KIT 550003257	COMBUSTION CHAMBER GASKET
428	SEE KIT 550003251	GASKET
432	SEE KIT 550003264	FLUE SPIGOT GASKET
434	SEE KIT 550003263	CONDENSY TRAY
435	SEE KIT 550003264	AIR IN TAKE GASKET D.215
445	SEE KIT 550003262	PIPE EXCHANGER/SIPHON
511	SEE KIT 550003255	OR 20,24X2,62 EPDM
514	SEE KIT 550003254	GASKET
525	SEE KIT 550003250	SPARK GENERATOR
601	SEE KIT 550003264	O-RING 8,73X1,78
647	BD000005652731 & SEE KIT 550003255	AUTO AIR VENT
673	SEE KIT 550003262	CONDENSATE PIPE/SIPHON
675	SEE KIT 550003254	JOINT EXCH DUOZ
677	SEE KIT 550003259	EXTENTION 4 EL.
678	SEE KIT 550003258	AIR GAS COLLECTOR
681	SEE KIT 550003249	IGNITION ELECTRODE GASKET
682	SEE KIT 550003251	SIGHT GLASS
699	SEE KIT 550003252	INLET ELEMENT G1
700	SEE KIT 550003260	NIPPLE G1"MM WITH SCREWS
701	SEE KIT 550003257	GASKET D.6
702	SEE KIT 550003263	GASKET CONDENSY BOX
710	SEE KIT 550003256	GASKET
711	SEE KIT 550003247	JOINT SIPHON
722	SEE KIT 550003245 & SEE KIT 550003265	O-RING 70X3
731	SEE KIT 550003254	JOINT EXCH DUOZ
733	SEE KIT 550003248 & SEE KIT 550003252 & SEE KIT 550003254 & SEE KIT 550003255	GASKET G1 1/2 WRC
746	SEE KIT 550003245 & SEE KIT 550003258	VENTURI GASKET
772	SEE KIT 550003266	PCB SCU-S02
787	SEE KIT 550003252 & SEE KIT 550003260	GASKET
788	SEE KIT 550003276	PANEL SEAL
791	SEE KIT 550003247	SIPHON CAP GASKET
800	SEE KIT 550003244	GASKET GAS VALVE M-M
805	SEE KIT 550003272	CONFIGURATION KEY
806	SEE KIT 550003253	CLIP D.10 BITRON
814	BD764986901V	SECONDARY ELECTRIC BOX



KITS - HEAT EXCHANGER & COMPONENTS

KIT 550003256 - HEAT EXCHANGER REPLACEMENT KIT INCLUDES:		
POS	DESCRIPTION	QTY
32	HEAT EXCHANGER	1
29	COMBUSTION CHAMBER REAR INSUL.	1
242	NTC SENSOR	1
710	GASKET	1
199	JOINT EXCHANGER/DISCHARGE DUCT D	1
NA	INSTRUCTIONS - 240011705	1

KIT 550003246 - BURNER REPLACEMENT KIT INCLUDES:		
POS	DESCRIPTION	QTY
41	BURNER 65 KW BURNER	1
409	BURNER GASKET ASSY.	1
NA	KIT INSTRUCTIONS 2400011700	1

KIT 550003257 - COMBUSTION CHAMBER REPLACEMENT KIT INCLUDES:		
POS	DESCRIPTION	QTY
408	COMBUSTION CHAMBER UPPER COVER	1
419	COMBUSTION CHAMBER GASKET	1
701	GASKET D.6	1
30	COVER INSULATION	1
NA	INSTRUCTIONS - 240011706	1

KIT 550003249 - IGNITION ELECTRODE REPLACEMENT KIT INCLUDES:		
POS	DESCRIPTION	QTY
63	IGNITION ELECTRODE	1
681	IGNITION ELECTRODE GASKET	2
NA	KIT INSTRUCTIONS 240011681	1

KIT 550003250 - SPARK GENERATOR REPLACEMENT KIT INCLUDES:		
POS	DESCRIPTION	QTY
525	SPARK GENERATOR 115V	1
NA	KIT INSTRUCTIONS 240011682	1

KIT 550003251 - SIGHT GLASS REPLACEMENT KIT INCLUDES:		
POS	DESCRIPTION	QTY
682	SIGHT GLASS	1
428	GASKET	1
NA	KIT INSTRUCTIONS 240011683	1

KITS - OTHER MAJOR COMPONENTS

KIT 550003245 - BLOWER REPLACEMENT KIT INCLUDES:		
POS	DESCRIPTION	QTY
22	FAN 250W 120V 60HZ	1
746	VENTURI GASKET	1
722	O-RING 70X3	1
NA	KIT INSTRUCTIONS 240011699	1

KIT 550003248 - PUMP REPLACEMENT KIT INCLUDES:		
POS	DESCRIPTION	QTY
72	PUMP 115V 60HZ	1
733	GASKET 1/2	2
NA	KIT INSTRUCTIONS 240011722	1

KITS - GAS VALVE & COMPONENTS

KIT 550003244 - GAS VALVE REPLACEMENT KIT INCLUDES:		
POS	DESCRIPTION	QTY
138	SEALING WASHER G3/4 GAS	1
140	GAS VALVE 120V-60HZ	1
800	GASKET GAS VALVE	1
NA	KIT INSTRUCTIONS 2400011698	1

KIT 550003261 - GAS PIPE REPLACEMENT KIT INCLUDES:		
POS	DESCRIPTION	QTY
139	PIPE GAS VALVE/MIXER	1
192	SEALING WASHER G 3/4	2
NA	INSTRUCTIONS - 240011723	1

KITS - AIR & GAS COMPONENTS

KIT 550003265 - MIXER REPLACEMENT KIT INCLUDES:		
POS	DESCRIPTION	QTY
18	GAS AIR MIXER	1
722	O-RING 70X3	1
NA	INSTRUCTIONS - 240011724	1

KIT 550003258 - AIR GAS COLLECTOR REPLACEMENT KIT INCLUDES:		
POS	DESCRIPTION	QTY
678	AIR GAS COLLECTOR	1
409	BURNER GASKET ASSY.	1
746	VENTURI GASKET	1
NA	INSTRUCTIONS - 240011725	1

KIT 550003259 - AIR GAS COLLECTOR EXTENSION REPLACEMENT KIT INCLUDES:		
POS	DESCRIPTION	QTY
677	EXTENTION 4 EL.	1
409	BURNER GASKET ASSY.	1
NA	INSTRUCTIONS - 240011726	1

KIT 550003264 - FLUE CONNECTION REPLACEMENT KIT INCLUDES:		
POS	DESCRIPTION	QTY
10	FLUE CONNECTION ASSEMBLY	1
11	GASKET ADAPTER	1
12	PLATE BLANKING	1
13	SUCTION CAP GASKET	1
432	FLUE SPIGOT GASKET	1
435	AIR IN TAKE GASKET D.215	1
49	FLUE TEST CAP	2
601	O-RING 8,73X1,78	2
NA	INSTRUCTIONS - 240011727	1

KITS - PIPING

KIT 550003254 - SUPPLY PIPING REPLACEMENT KIT INCLUDES:		
POS	DESCRIPTION	QTY
136	SUPPLY PIPE	1
138	SEALING WASHER G3/4 GAS	1
514	GASKET	1
731	GASKET 32X39X2	1
675	JOINT EXCH DUOZ	1
135	THERMOSTAT LIMIT	1
131	SUPPLY HIGH LIMIT	1

KIT 550003255 - RETURN PIPING REPLACEMENT KIT INCLUDES:		
POS	DESCRIPTION	QTY
70	RETURN PIPE ASSY	1
733	GASKET G1 1/2 WRC	1
511	OR 20,24X2,62 EPDM	1
647	AUTO AIR VENT	1
34	EXCHANGER CLIP	1

KIT 550003260 - SUPPLY CONNECTION FITTING REPLACEMENT KIT INCLUDES:		
POS	DESCRIPTION	QTY
700	NIPPLE G1"MM WITH SCREWS	1
787	GASKET	1
71	SEALING WASHER - G1	1

KIT 550003252 - RETURN INLET ASSEMBLY REPLACEMENT KIT INCLUDES:		
POS	DESCRIPTION	QTY
699	INLET ELEMENT G1	1
91	DRAINING TAP	1
733	GASKET	1
787	CHAMBER GASKET	1
NA	KIT INSTRUCTIONS 240011703	1

KITS - CONDENSATE COMPONENTS

KIT 550003247 - CONDENSATE TRAP REPLACEMENT KIT INCLUDES:		
POS	DESCRIPTION	QTY
415	SIPHON BODY	1
791	SIPHON CAP	1
417	GASKET PLUG	1
711	JOINT SIPHON	1
NA	KIT INSTRUCTIONS 240011701	1

KIT 550003262 - CONDENSATE PIPE REPLACEMENT KIT INCLUDES:		
POS	DESCRIPTION	QTY
673	CONDENSATE PIPE/SIPHON	1
445	PIPE EXCHANGER/SIPHON	1
NA	INSTRUCTIONS - 240011728	1

KIT 550003263 - CONDENSATE TRAY REPLACEMENT KIT INCLUDES:		
POS	DESCRIPTION	QTY
434	CONDENSATE TRAY	1
702	CONDENSATE GASKET	1
NA	INSTRUCTIONS - 240011729	1

KITS - CONTROL BOARDS

KIT 550003266 - PCB SCU-S02 REPLACEMENT KIT INCLUDES:		
POS	DESCRIPTION	QTY
772	PCB SCU-S02	1
NA	INSTRUCTIONS - 240011707	1

KIT 550003267 - PCB INTERFACE REPLACEMENT KIT INCLUDES:		
POS	DESCRIPTION	QTY
232	PCB INTERFACE	1
NA	INSTRUCTIONS - 240011708	1

KIT 550003268 - PCB PCU-04 REPLACEMENT KIT INCLUDES:		
POS	DESCRIPTION	QTY
154	PCB PCU-04	1
NA	INSTRUCTIONS - 240011709	1

KIT 550003269 - SAFETY PCB REPLACEMENT KIT INCLUDES:		
POS	DESCRIPTION	QTY
155	SAFETY PCB	1
NA	INSTRUCTIONS - 240011710	1

KIT 550003272 - CONFIGURATION KEY KIT INCLUDES:		
POS	DESCRIPTION	QTY
805	CONFIGURATION KEY	1
NA	INSTRUCTIONS - 240011712	1

KITS - SENSOR

KIT 550003253 - PRESSURE SENSOR REPLACEMENT KIT INCLUDES:		
POS	DESCRIPTION	QTY
340	PRESSURE SENSOR	1
806	CLIP	1
NA	KIT INSTRUCTIONS 240011704	1

WIRING - REPLACEMENT

POS	PN	DESCRIPTION
NOT SHOWN	721796800	FAN WIRING
NOT SHOWN	721804700	IGNITOR WIRING
NOT SHOWN	721807000	GAS VALVE WIRING
NOT SHOWN	721807500	POWER SUPPLY PUMP WIRING
NOT SHOWN	721838500	SAFETY TH/FAN WIRING
NOT SHOWN	721814100	SENSORS WIRING
NOT SHOWN	722266400	CONTROL BOX/PCB SCU CONNECTING
NOT SHOWN	722267400	SECONDARY ELECTRIC BOX POWER WI
NOT SHOWN	722410200	POWER SUPPLY PUMP UP26-96F WIRIN
NOT SHOWN	722577700	PCB POWER WIRING SECONDARY BOX
NOT SHOWN	722577800	POWER SUPPLY WIRING
NOT SHOWN	765517700	PCB/SWITCH WIRING
- NOT SHOWN		



KITS -CONTROL & JACKET PANELS

KIT 550003270 - PCB DISPLAY REPLACEMENT KIT INCLUDES:		
POS	DESCRIPTION	QTY
156	PCB DISPLAY	1
NA	INSTRUCTIONS - 240011711	1

PANEL ASSEMBLIES				
KIT #	DESCRIPTION	POS	DESCRIPTION	QTY
550003271	CONTROL ASSEMBLY	151	CONTROL COVER	1
		152	CONTROL	1
550003273	LEFT PANEL ASSEMBLY INCLUDES:	2	LEFT PANEL	1
		788	PANEL SEAL	2
550003274	RIGHT PANEL ASSEMBLY INCLUDES:	3	RIGHT PANEL	1
		788	PANEL SEAL	2
550003275	FRONT PANEL ASSEMBLY INCLUDES: BEZEL, INSULATION AND LOGO	4	FRONT PANEL	1



ECR international
EST. 1928
A Family of Heating & Cooling Brands.

ECR INTERNATIONAL, INC
2201 Dwyer Avenue, Utica NY 13501

web site: www.ecrinternational.com
P/N 240011657, Rev .A [12/31/2016]