



**Model**  
**VLX - 399**  
GAS BOILER

**PARTS, KITS &  
OPTIONAL ACCESSORIES**

Ordering Instructions

Order Parts through your nearest supplier.

When ordering parts, obtain Model Number and Serial Number from data plate on your boiler.

Include following information when ordering.

Part Number \_\_\_\_\_

Part Description \_\_\_\_\_

Boiler Model Number \_\_\_\_\_

Boiler Serial Number \_\_\_\_\_



**ECR international**  
EST. 1928  
A Family of Heating & Cooling Brands.

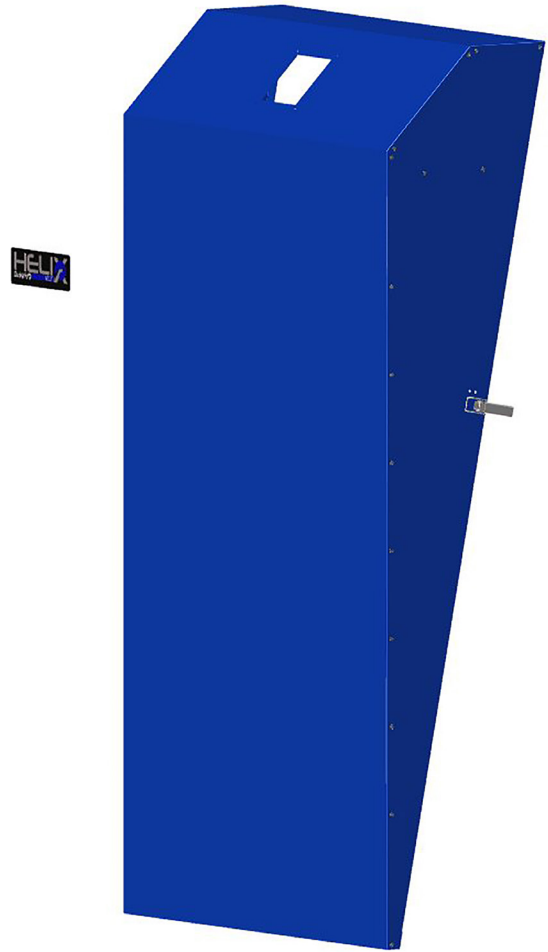
**Manufactured by:**  
**ECR International, Inc.**  
2201 Dwyer Avenue, Utica NY 13501  
web site: [www.ecrinternational.com](http://www.ecrinternational.com)

## TABLE OF CONTENTS

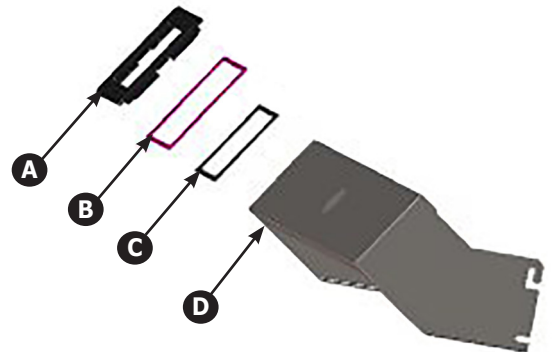
Jacket Kits.....	3
Heat Exchanger Kit .....	4
Burner Replacement Kits .....	5
Igniter Kits .....	6
Flame Sensor Kits.....	6
Gas Valve Kit .....	7
Venturi Kit - 399 MBH .....	8
Blower Kit - 399 MBH.....	9
Condensate Trap Kit.....	10
Control Module Kit .....	11
User Interface kit .....	11
Wire Harness Kit .....	12
Gas Conversion Kit .....	12
High Altitude Kit .....	13
Multi Boiler Sensor Kit.....	13
Misc. Replacement Parts .....	14
Misc. Replacement Parts - Conti.....	15

## JACKET KITS

<b>399 Upper Jacket Kit # 550003093</b>			
<b>Item</b>	<b>DESCRIPTION</b>	<b>PART #</b>	<b>QTY</b>
A	Jacket w/Gasket, Logo, Bottom Support and Right and Left Latches	-	1



<b>399 BEZEL Kit # 550003094</b>			
<i>KIT INCLUDES ALL ITEMS LISTED</i>			
<b>Item</b>	<b>DESCRIPTION</b>	<b>PART #</b>	<b>QTY</b>
A	Bezel, Window	-	1
B	Bezel Gasket	-	1
C	Display Gasket	-	1
D	Display Panel	109009520	1



# HEAT EXCHANGER KIT

## Heat Exchanger with Integrated Flue Collector- 399 MBH



### 399 Heat Exchanger Kit # 550003095

***KIT INCLUDES ALL ITEMS LISTED BELOW***

Item	DESCRIPTION	PART #	QTY
<b>A</b>	Heat Exchanger Module (includes: Heat Exchanger Coil, Top Cap, Igniter, Flame Sensor with Flue Collector Installed)	-	1
<b>B</b>	Fitting, Compression 30mm X 1-1/4 NPT	-	2
*	Instructions	240011189	1

\* Not Shown

## BURNER KITS

### Burner Kits - 399 MBH



<b>399 Burner Inspection Kit # 550003096</b>				
	ITEM	DESCRIPTION	PART #	QTY
Inspection Kit #550003096 includes all items listed	<b>A</b>	1/4-20 Hex Flange Nut	-	8
	<b>B</b>	Burner Sleeve, Refractory	-	2
	*	Igniter Gasket	-	1
	*	O-Ring	-	1
	*	8-32 Hex Nut	-	4
	*	Instructions	240011264	1
	* Not Shown			

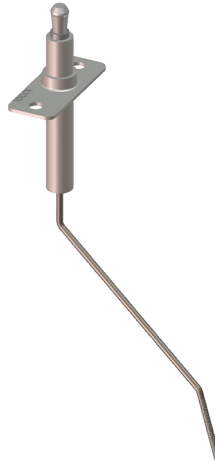
<b>399 Replacement Burner Kit # 550003097</b>				
	ITEM	DESCRIPTION	PART #	QTY
Replacement Burner Kit #550003097 includes all items listed	<b>A</b>	Fiber Gasket	-	1
	<b>B</b>	Burner Collar	-	1
	<b>C</b>	Burner 399K BTU	-	1
	*	1/4-20 Nut	-	4
	*	Igniter Gasket	-	1
	*	8-32 Hex Nut	-	2
	*	Instructions	240010106	1

## IGNITER KITS



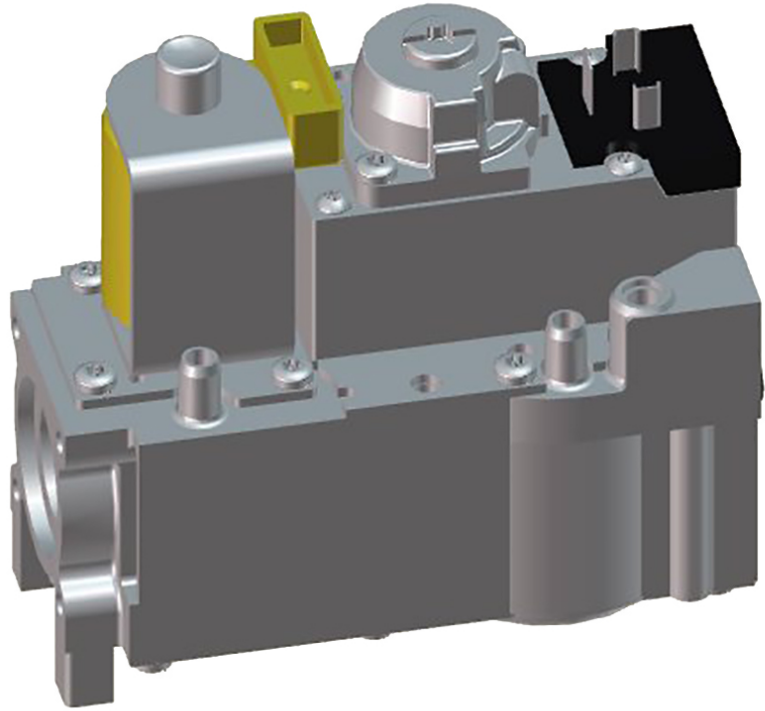
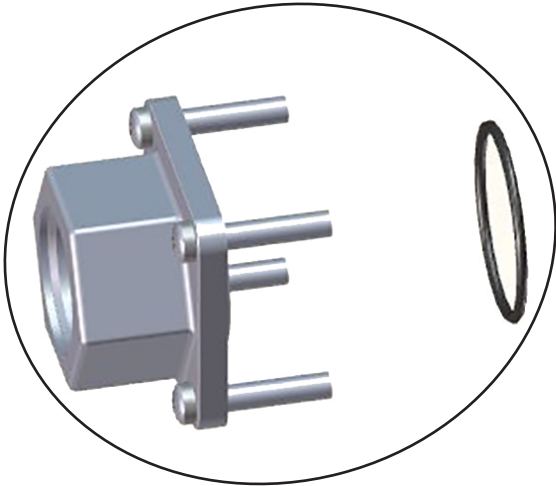
<b>399 Igniter Kit # 550003117</b>				
	ITEM	DESCRIPTION	PART #	QTY
Igniter Kit #550003117 includes all items listed	A	Igniter 399	-	1
	B	Igniter Gasket	-	1
	*	8-32 Hex Nut	-	2
	*	Instructions	240008592	1
* Not Shown				

## FLAME SENSOR KITS



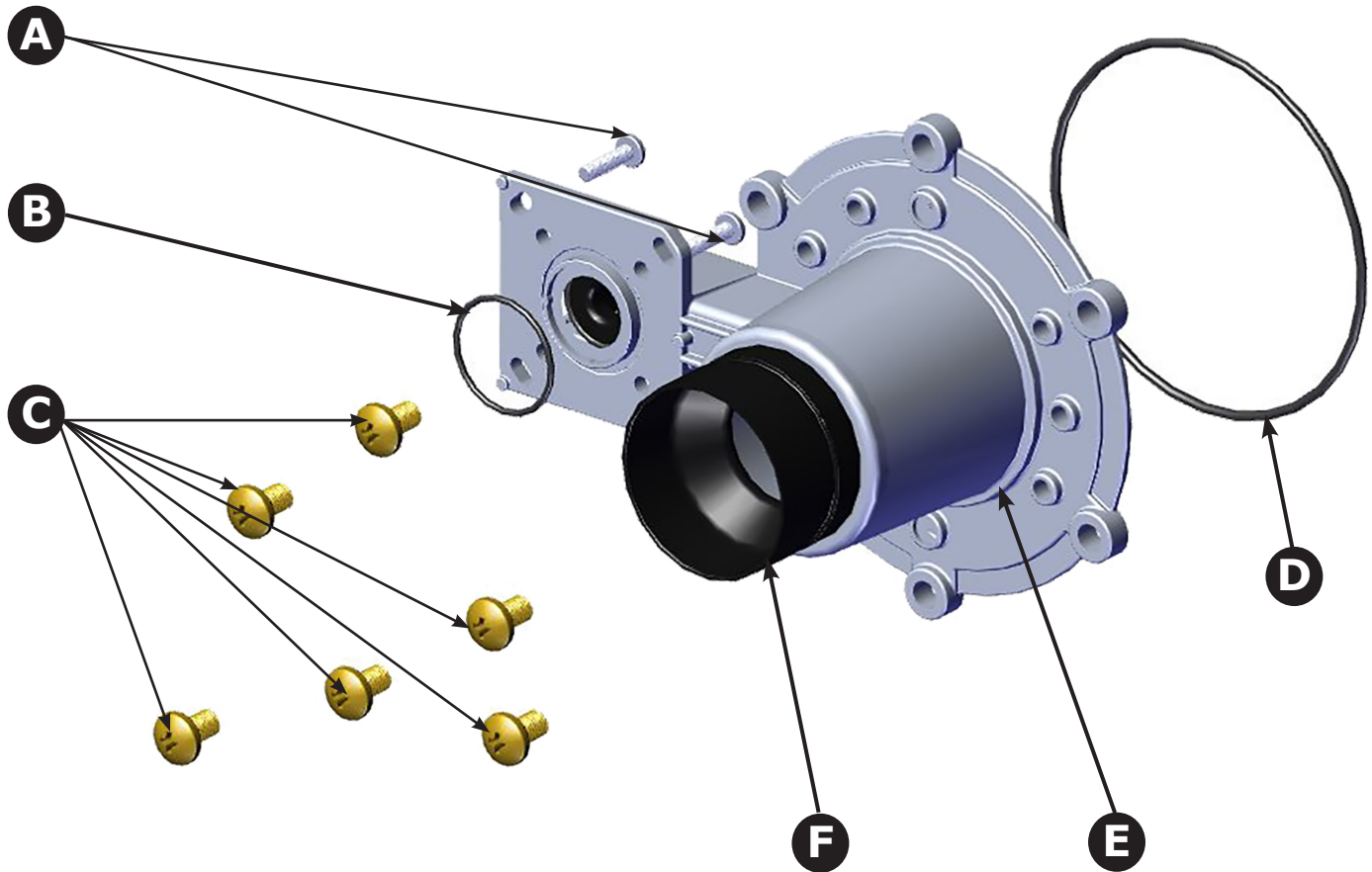
<b>399 Flame Sensor Kit #550003116</b>				
	ITEM	DESCRIPTION	PART #	QTY
Flame Rod Kit #550003116 includes all items listed	A	Sensor Flame 399 MBH	-	1
	*	8-32 Hex Nut	-	2
	*	Instructions	240008593	1
* Not Shown				

## GAS VALVE KIT



<b>299/399 Gas Valve Kit # 550002811</b>				
Gas Valve Kit #550002811 includes all items listed	A	Gas Valve, VR4615	-	1
	B	Gas Valve Flange Kit	-	1
	*	Instructions	240010104	1
* Not Shown				

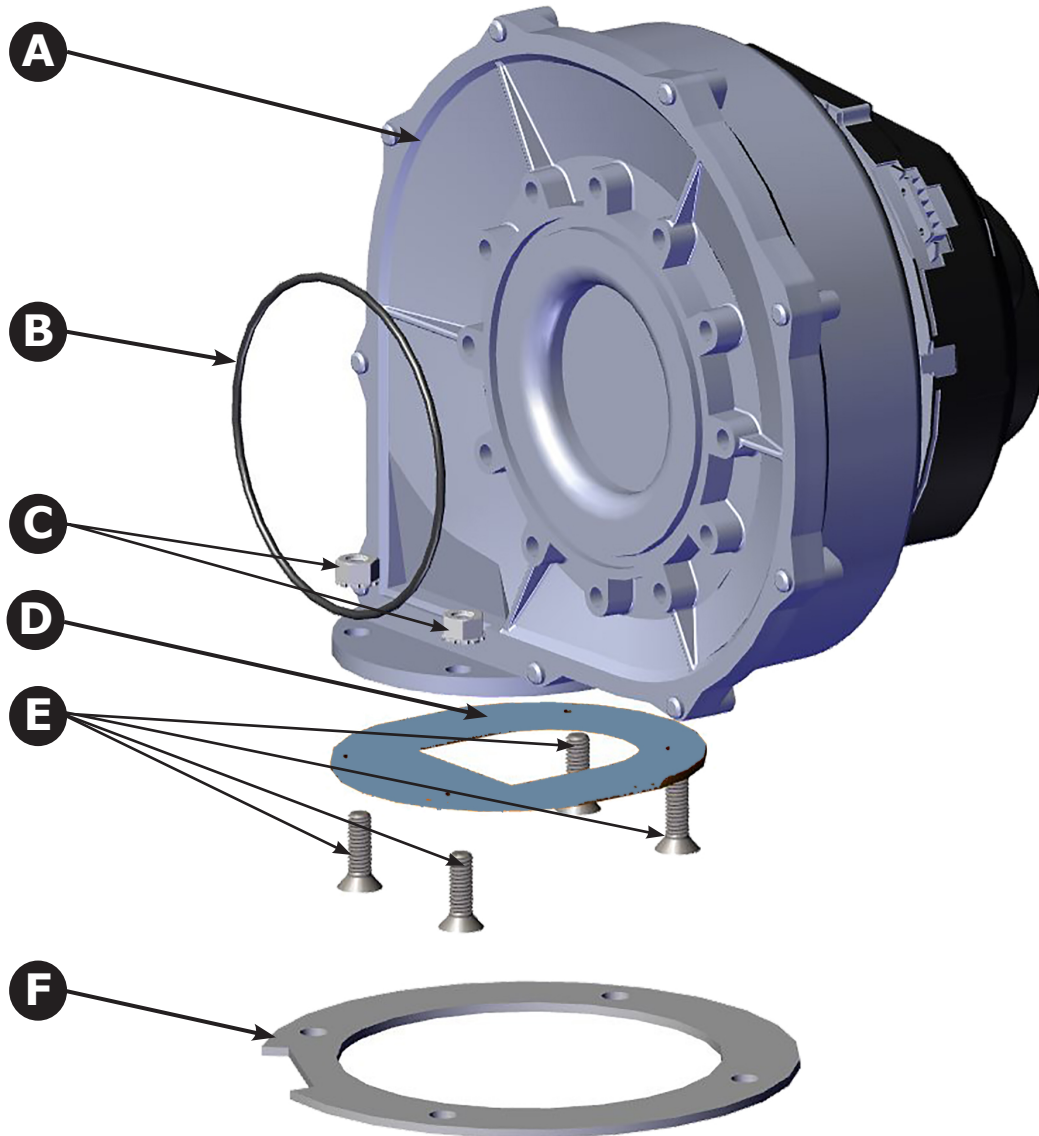
# VENTURI KIT - 399 MBH



399 VENTURI Kit # 550003098				
	ITEM	DESCRIPTION	PART #	QTY
<b>Venturi Kit #550003098 includes all items listed</b>	A	Screws to Gas Valve	-	4
	B	O-ring	-	1
	C	Screws to Blower	-	6
	D	O-ring, 110 MM, 3.5M	-	1
	E	Venturi	-	1
	F	Venturi Inlet	-	1
	*	Instructions		240011296

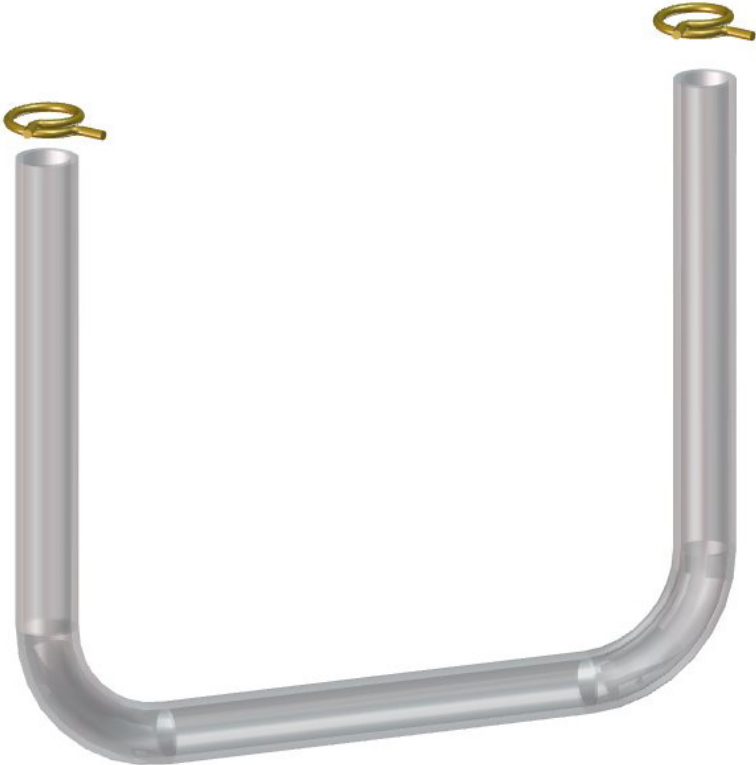


## BLOWER KIT - 399 MBH



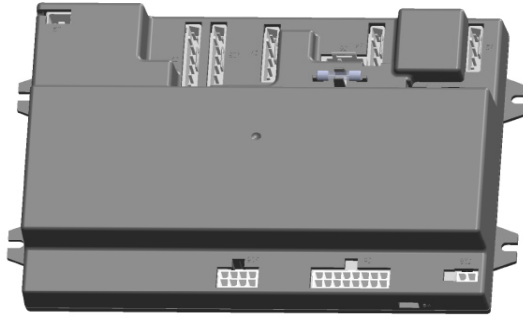
<b>399 Blower Kit # 550003099</b>				
	ITEM	DESCRIPTION	PART #	QTY
<b>Blower Motor Kit #550003099 includes all items listed</b>	<b>A</b>	Blower, EBM, RG175	-	1
	<b>B</b>	O-ring, 110 MM, 3.5M	-	1
	<b>C</b>	Nut, 31-18, K-Lock	-	4
	<b>D</b>	Gasket, Blower, Index Plate	240011292	1
	<b>E</b>	Screw, Phillips Flat Head 31-18 x1	-	4
	<b>F</b>	Fiber Gasket for Heat Exchanger	-	1
	<b>*</b>	Instructions	240011190	1

# CONDENSATE TRAP KIT



<b>399 Condensate Trap Kit #550003100</b>				
Condensate Trap Kit #550003100 includes all items listed	A	Collet Clip, 1-1/8"	-	2
	B	Condensate Trap	-	1
	*	Instructions	240011191	1
* Not Shown				

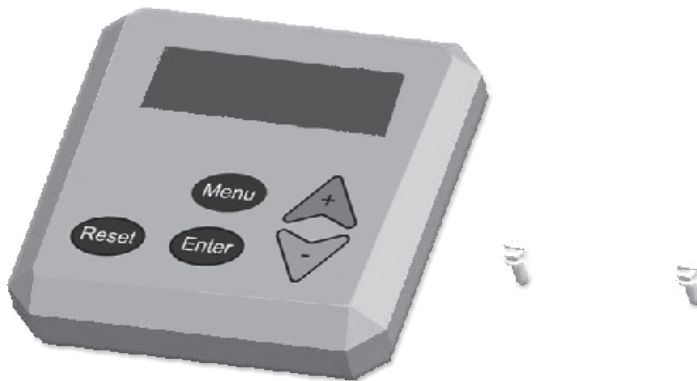
## CONTROL MODULE KIT



<b>399 Control Module Kit # 550002583</b>				
	ITEM	DESCRIPTION	PART #	QTY
Control Module Kit #550002583 includes all items listed	A	Control Module	-	1
	B	Screw, 8-32x3/8, HWH, Slot Self Tapping	-	4
	C	Spare Fuse, 3.15A ac, 250V, Slo-Blo Glass 5x20mm (Additional fuse included with control module on Boiler)	240008665	1
	*	Instructions	240009314	1
* Not Shown				

**NOTE: IF BOILER HAS BEEN CONVERTED TO HIGH ALTITUDE - REPLACE EXISTING CONTROL WITH HIGH ALTITUDE KIT ONLY. SEE PAGE 13.**

## USER INTERFACE KIT



<b>399 User Interface Kit # 550002299</b>				
	ITEM	DESCRIPTION	PART #	QTY
User Interface Kit #550002299 includes all items listed	A	User Interface Control	-	1
	B	Screw, 8-32 x 1/2" Type B	-	2
	*	Instructions	240008930	1
* Not Shown				

## WIRE HARNESS KIT

### 399 Wire Harness Kit #550003101

<b>399 Wire Harness Kit #550003101</b>		
Main Boiler 120V Wiring Assembly Harness to High Voltage Terminal Block 399	-	1
24V Wire Harness, From Boiler Interface Module to Low Voltage Terminal Block	-	1
Screw, 6x3/8, Type B HPH, SZN	-	4
Screw, 8-32x5/16, Self Tapping, Ground, Green	-	1
Instructions	240011192	1

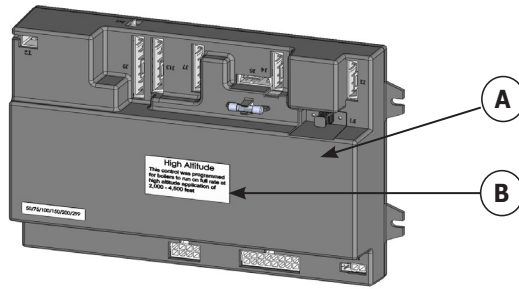
## GAS CONVERSION KIT

### 399 Gas Conversion Kit # 550003082

<b>399 Gas Conversion Kit # 550003082</b>			
	DESCRIPTION	PART #	QTY
Conversion Kit #550003082 includes all items listed	Orifice, LP,9.6mm	-	1
	Label, "Converted By"	-	2
	Label, "Nat to LP" conversion plate	-	1
	Label, "LP to Nat" conversion plate	-	1
	Instructions	240011155	1

## OPTIONAL ACCESSORIES

### ***High Altitude Kit***



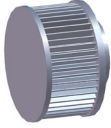
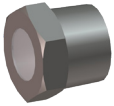

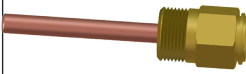

<b>050/075/100/150/299/399 High Altitude Kit # 550002819</b>				
	ITEM	DESCRIPTION	PART #	QTY
High Altitude Kit #550002819 includes all items listed	A	Control Module - High Altitude 2000 - 4500 ft.	-	1
	B	High Altitude label	-	1
	NOT SHOWN	Instructions, High Altitude	240010113	1

<b>Multi Boiler Sensor Kit # 550002186</b>			
	DESCRIPTION	PART #	QTY
Multi Boiler Sensor Kit #550002186 includes all items listed	Sensor, 12K, NTC, 6x45MM	240008465	1
	Well, 1/2 NPT Copper/Brass	240008466	1
	Sensor Well Lock Clip	240008467	1
	Instructions, Multi Boiler Sensor	240008959	1

<b>200/299/399 Condensate Neutralizer Kit # 550003005</b>		
DESCRIPTION	PART #	QTY
Condensate Neutralizer 240010863 includes:		
Double Neutralizer Tube	-	2
3/4" Barbed Y	-	1
3/4" Union	-	2
10Ft 3/4" Hose	-	1
3/4" Hose Clamp	-	6
3/4" NPT to 3/4" Barb	-	3
Neutralizing Material	240010871	2.5 lbs
Base/Wall Mounting Clamp	-	2
Instructions	240010861	1

<b>Concentric Vent Kit</b>	
DESCRIPTION	PART #
4" Concentric Vent Kit	240011223

## MISC. REPLACEMENT PARTS

Replacement Parts		
	DESCRIPTION	PART #
	Ignitor Cable	240009888
	Intake Air Filter	240011219
	OB PORT, W/ GLASS, 3/4", S305-75	14619002
	Cross, 1 1/4 NPT, Female	240010254
	*Safety Relief Valve (30 PSI) Conbraco 10-407-05	VR00102
	*Safety Relief Valve (50 PSI)	VR00102
	LWCO, Hydrolevel Safeguard 1100 MINI, CSD1	240011037
	Honeywell, Aquastat L4006E1109 (Requires Well)	1010003
	WELL-123870A-3/4 X 1-1/2 HW	1635001
	** Gauge, Temperature Pressure, 2" shank (0 ~ 75 psi)	1260006
	** Gauge, Temperature Pressure, 2" shank (0 ~ 200 psi)	GA00501

Replacement Parts		
	DESCRIPTION	PART #
	High Temperature Supply Switch	240008290
	Sensor, Return Water	240008703
	Sensor, Flue	240008227
	Clamp, 1-1/8" Spring Tension for Condensate Trap	240008406
	Ball Valve 3/4" Female (Gas Shutoff valve) (299)	14657001
	TFMR, 120V PRI, 24V SEC, 15VA	240008279
	Relay, 30A, N/O	240011008
	Relay, 120VAC	240008410
	Heat Exchanger High Temperature Switch L300-40F	240009508
	Boiler Drain Valve	240009323
	Leg, Adj, Glide(4)	240010635

## MISC. REPLACEMENT PARTS - CONTI.

Replacement Parts		
	DESCRIPTION	PART #
	Breaker, 10AMP	240011031
	Sensor, Outdoor	240008225
	Fuse, 3.15A AC, 250V, Slo-Blo Glass 5x20mm	240008665
	Draw Latch, Wire Bale, 1-3/8" GAP	240008540
	Hook, Draw Latch, TL-17-202-07	240008541
	Door Handle (2)	28673

\* Heating system with system pressure higher than 40 psi, field source proper Safety relief valve.

\*\*Heating systems with low pressure, use 0~75 psi factory supplied pressure temperature gauge. System pressures higher than 60 psi, use optional or field sourced 0~200 psi pressure temperature gauge.



**DUNKIRK BOILERS**  
2201 Dwyer Avenue, Utica NY 13501  
web site: [www.ecrinternational.com](http://www.ecrinternational.com)