

Model
Modèle
CHB-100 / CHB-130 / CHB-150

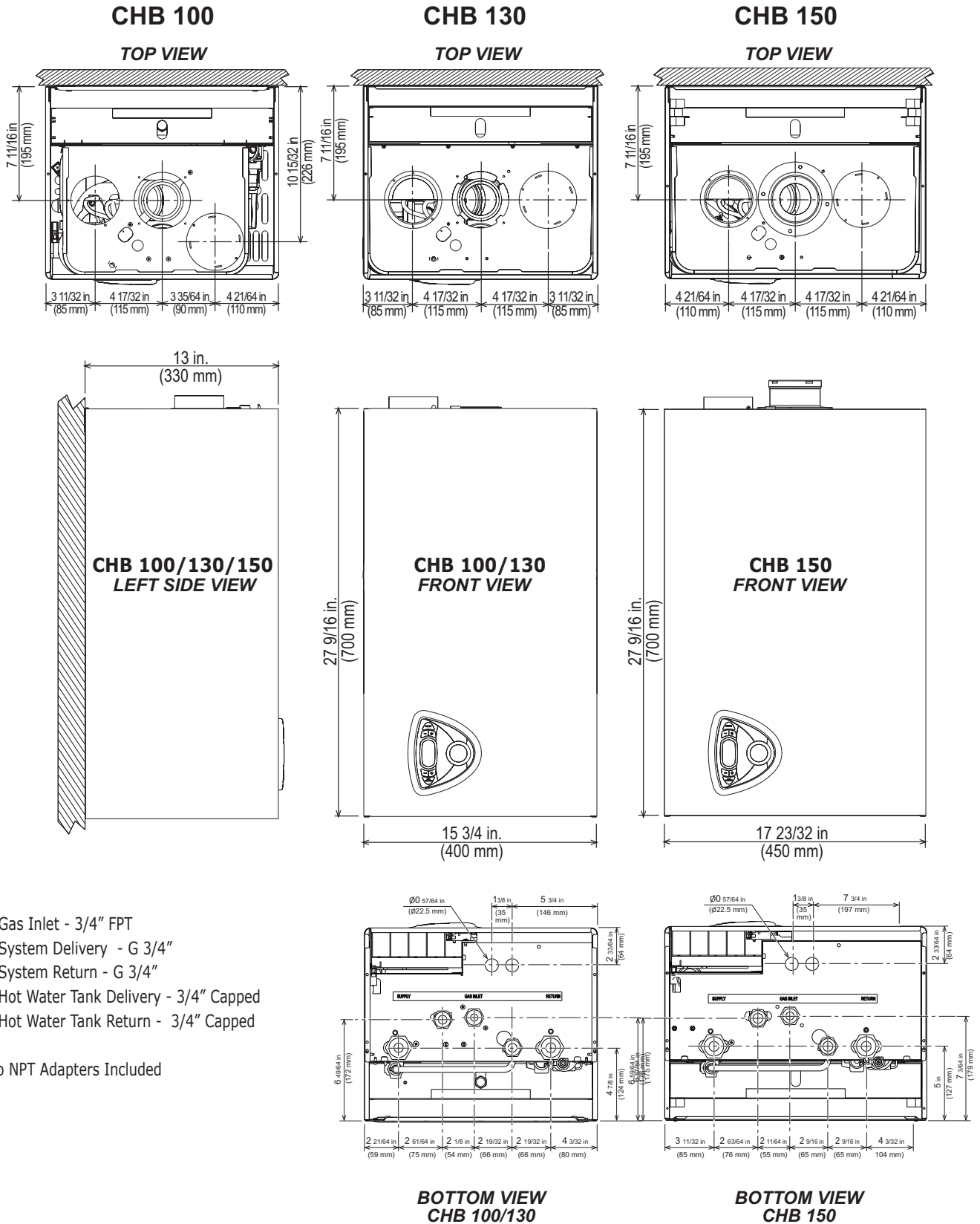
WALL MOUNTED GAS BOILER
INSTALLATION, OPERATION & MAINTENANCE MANUAL
CHAUDIÈRE MURALE À GAZ
MANUEL D'INSTALLATION, D'UTILISATION ET D'ENTRETIEN



Manufactured by:
ECR International Inc.
2201 Dwyer Avenue, Utica, NY
13501 Tel. 800 325 5479
www.ecrinternational.com
PN 40010633 REV. G [10/15/21]

DIMENSIONS

Figure 1 - Overall Dimensions



7 = Gas Inlet - 3/4" FPT

10 = System Delivery - G 3/4"

11 = System Return - G 3/4"

***209** = Hot Water Tank Delivery - 3/4" Capped

***210** = Hot Water Tank Return - 3/4" Capped

* BSPT To NPT Adapters Included

TABLE OF CONTENTS

1 - Introduction.....	4
2 - Important Safety Information.....	5
3 - General view and main components	6
4 - Locating Boiler	9
5 - Hydronic Piping	11
6 - Combustion Air And Vent Piping - Category I (Chimney Vent)	16
6 - Combustion Air And Vent Piping- Category I (Chimney Vent)	17
6 - Combustion Air And Vent Piping of direct vent and Category III	18
7 - Gas Supply Piping.....	23
8 - Electrical Connections	24
9 - Start Up Procedure	25
10 - Operating Instructions.....	27
11 - General Maintenance And Cleaning.....	33
12 - Ratings And Capacities	34
13 - Trouble Shooting.....	37
Wiring diagram	38
Repair Parts List - CHB	39

1 - INTRODUCTION

1.1 Designated Use

- Hot water heating boiler.
- Indoor installation.
- Closet or alcove installation.
- Category I or III Venting.
- For use with natural gas, field conversion kit for LP available.
- Indirect heating is acceptable.
- Boiler is arranged for connection to an external storage tank for hot water production (optional). All functions relevant to domestic hot water production are only active with the optional water tank sensor connected.

1.2 The unit **MUST NOT**:

- Directly heat potable water.
- Heat water with non-hydronic heating system chemicals present (example, swimming pool water).
- Exceed 185°F (85°C) system design temperature.
- Exceed 43.5 PSIG

1.3 Operational Features

- Modulating: 3-1 turn down.
- Integral Dual Limit.

Information and specifications outlined in this manual in effect at the time of printing of this manual. ECR International, Inc. reserves the right to discontinue, change specifications or system design at any time without notice and without incurring any obligation, whatsoever.

2 - IMPORTANT SAFETY INFORMATION

2.1 General

Boiler installation shall be completed by qualified agency. See glossary for additional information.

WARNING

Fire, explosion, asphyxiation and electrical shock hazard. Improper installation could result in death or serious injury. Read this manual and understand all requirements before beginning installation.

2.2 Become familiar with symbols identifying potential hazards.



This is the safety alert symbol. Symbol alerts you to potential personal injury hazards. Obey all safety messages following this symbol to avoid possible injury or death.

DANGER

Indicates a hazardous situation which, if not avoided, WILL result in death or serious injury.

WARNING

Indicates a hazardous situation which, if not avoided, could result in death or serious injury.

CAUTION

Indicates a hazardous situation which, if not avoided, could result in minor or moderate injury.

NOTICE

Used to address practices not related to personal injury.

2.3 Installation shall conform to requirements of authority having jurisdiction or in absence of such requirements:

- United States
 - National Fuel Gas Code, ANSI Z223.1/NFPA 54.
 - National Electrical Code, NFPA 70.
- Canada
 - Natural Gas and Propane Installation Code, CAN/CSA B149.1.
 - Canadian Electrical Code, Part I, Safety Standard for Electrical Installations, CSA C22.1

2.4 Requirements for Commonwealth of Massachusetts:

Boiler installation must conform to Commonwealth of Massachusetts code 248 CMR which includes but is not limited to:

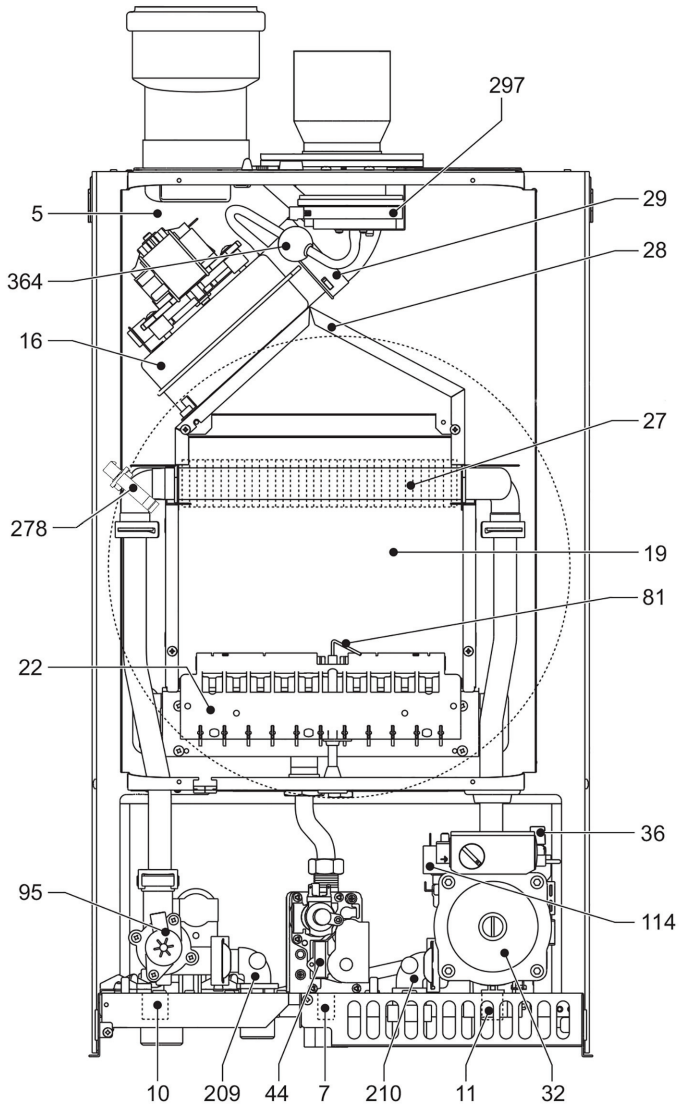
- Installation by licensed plumber or gas fitter.

2.5 Requirements for CSD-1:

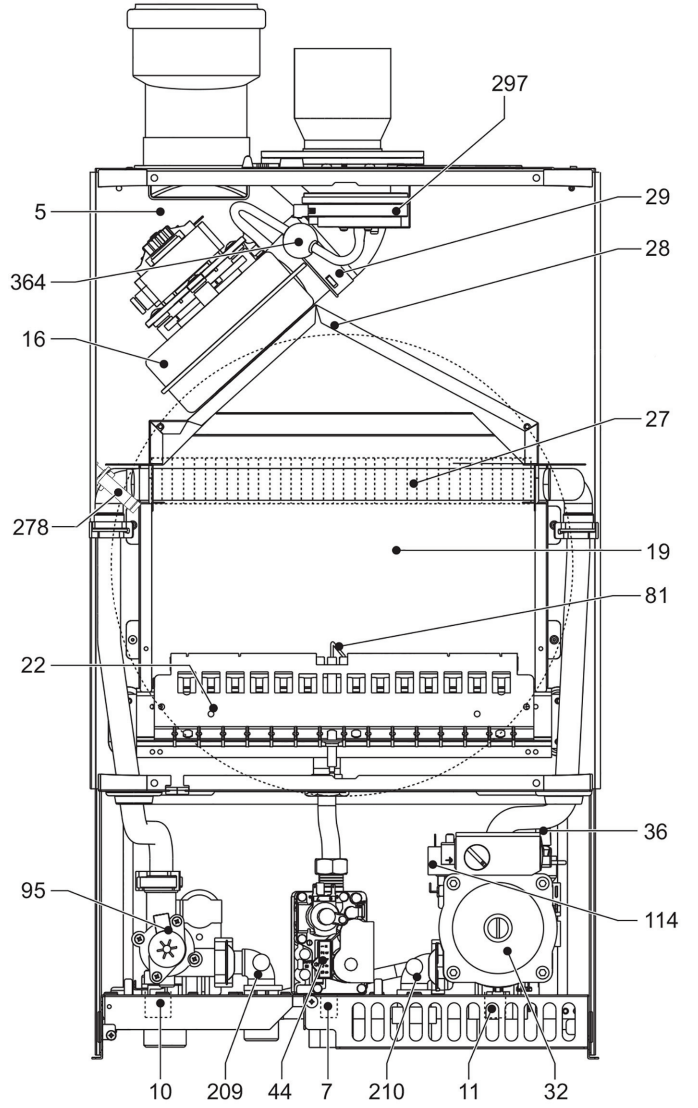
Where required by the authority having jurisdiction, the installation must conform to the Standard for *Controls and Safety Devices for Automatically Fired Boilers*, ANSI/ASME CSD1.

3 - GENERAL VIEW AND MAIN COMPONENTS

Figure 2 Component Listing

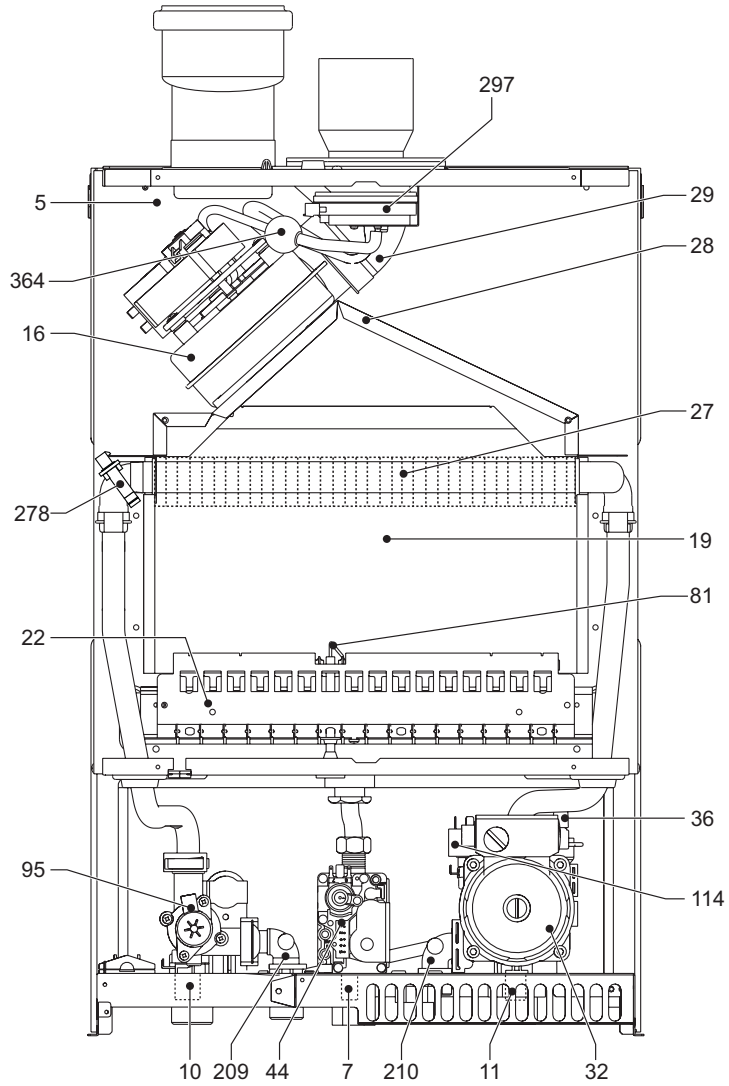


CHB 100



CHB 130

3 - GENERAL VIEW AND MAIN COMPONENTS



CHB 150

- | | | |
|------------------------------|--|---|
| 5 Sealed Chamber | 27 Copper Heat Exchanger | 95 3 Way Diverter Valve |
| 7 Gas Inlet | 28 Exhaust Manifold | 114 Water Pressure Switch |
| 10 Supply System | 29 Exhaust Outlet Manifold | 209 Hot Water Tank Delivery |
| 11 System Return | 32 Heating Circulating Pump | 210 Hot Water Tank Return |
| 16 Modulating Fan | 36 Automatic Air Vent | 278 Double Sensor - High Limit NTC |
| 19 Combustion Chamber | 44 Gas Valve | 297 Air Pressure Switch |
| 22 Burner | 81 Ignition and Detection Electrode | 364 Condensation Coupling |

		LBS	Kg
Unit Weight	CHB 100	61	27.5
	CHB 130	65	29.5
	CHB 150	69	31.5
Shipping Weight	CHB 100	65	29.5
	CHB 130	69	31.5
	CHB 150	73	33.0

3 - GENERAL VIEW AND MAIN COMPONENTS

⚠ WARNING

Fire, explosion, asphyxiation and electrical shock hazard. Disconnect electrical power supply and turn off gas at shutoff valve before attempting to remove boiler jacket. Failure to follow these instructions could result in death or serious injury.

Remove Boiler Jacket

1. Unscrew screws (A).
2. Pivot jacket upwards. See figure 3.
3. Raise Jacket up and off boiler. See figure 4.

Figure 3 - Jacket Removal - Screw Locations

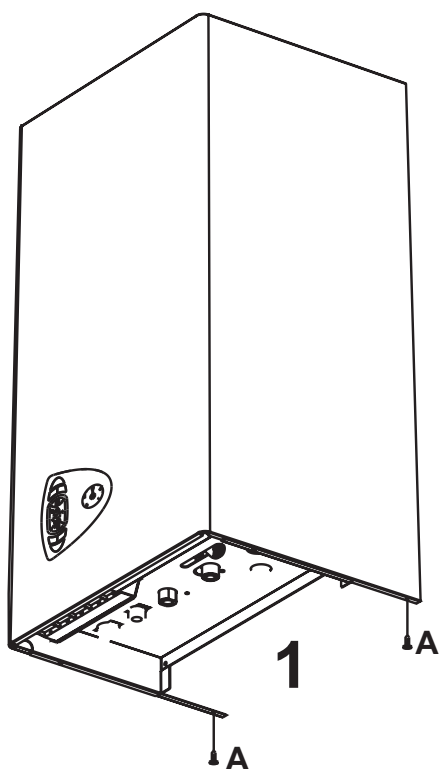
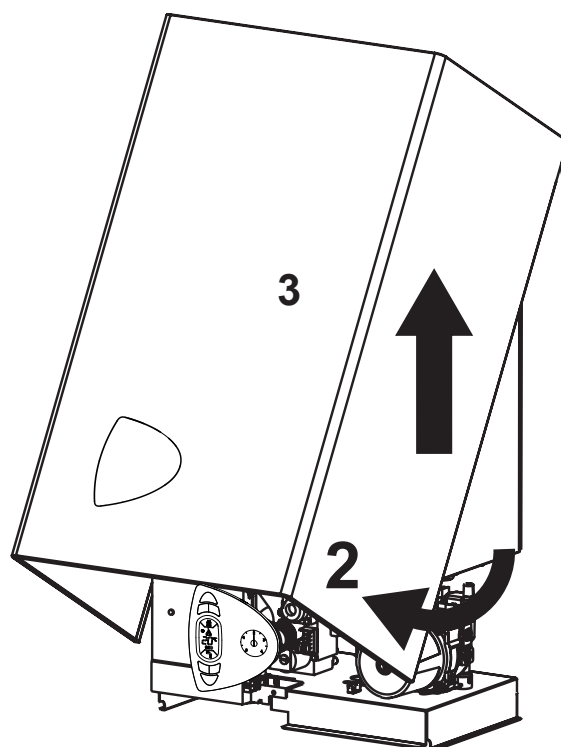


Figure 4 - Pivot Jacket and Raise to Remove



4 - LOCATING BOILER

4.1 Boiler Location Considerations

- Ambient room temperature always above 32°F (0°C) to prevent freezing.
- Approved for installation in closets.
- Protect gas ignition system components from water (dripping, spraying, rain, etc.) during operation and service (circulator replacement, control replacement, etc.).
- Wall mount only.
- Access to outdoors to meet minimum and maximum pipe lengths for combustion air and vent piping. See section 6.
- Drainage of water (or water - antifreeze solution) during boiler service or from safety relief valve discharge. See section 5.
- Access to system water piping, gas supply, and electrical service. See sections 5, 7 and 8.
- Clearances to combustibles materials and service clearances. See Table 1 and figure 5.
- Boiler must not be installed on carpeting.

Figure 5 - Boiler Clearances

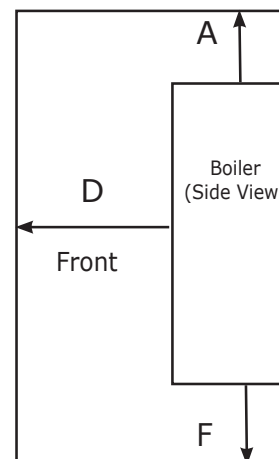
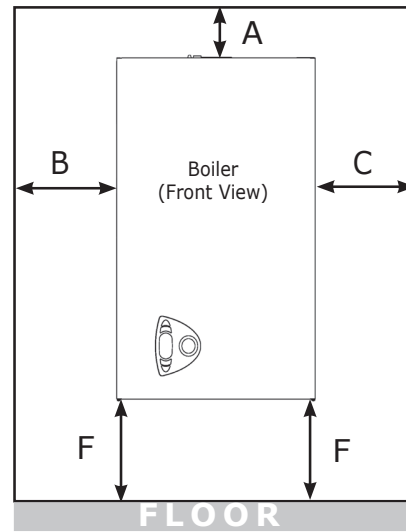


TABLE 1: BOILER CLEARANCES		
Dimension	Combustible Materials ⁽¹⁾	Service ⁽¹⁾⁽²⁾
Top (A)	16" (41cm)	16" (41cm)
Left Side (B)	0" (0 cm)	1" (3 cm)
Right Side (C)	0" (0 cm)	1" (3 cm)
Front (D)	0" (0 cm)	1" (3 cm)
Back (E)	0" (0 cm)	0" (0 cm)
Bottom (F)	0" (0 cm)	12" (30 cm)
Combustion Air/piping	0" (0 cm)	3/8" (1 cm)
Vent piping	6" (15 cm)	6" (15 cm)

⁽¹⁾ Required distances measured from boiler jacket.
⁽²⁾ Service, proper operation clearance recommendation.

4 - LOCATING BOILER

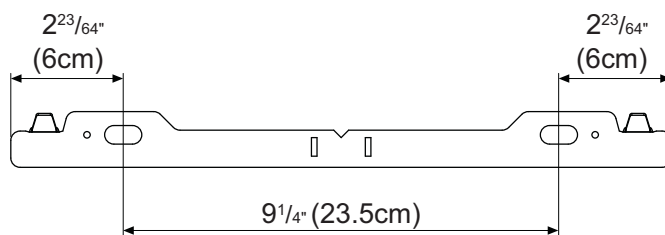
4.2 Pre-pipe supply and return water connections with factory fittings before wall mounting.

4.3 Wall Mounting

Mount boiler on wall using wall mounting bracket included with unit.

- Structure must be capable of supporting boiler weight plus 60 lbs (28 kg). See page 7.
- Wall mount bracket has 2 slots, spaced at $9\frac{1}{4}$ " (23.5cm) on center.
- Attach wall mount bracket level on wall.
- Boiler must engage with wall mount bracket. See figure 6.

Figure 6 - Wall Mounting Bracket



CAUTION

Boiler weight exceeds 75 pounds (34 kg). Do not lift boiler onto wall without assistance.

NOTICE

Lift boiler using chassis. Using front jacket, vent piping, water or gas fittings to lift boiler may cause damage to the boiler.

5 - HYDRONIC PIPING

5.1 General

- Install piping in accordance with authority having jurisdiction.

NOTICE

Use two (2) wrenches when tightening and fitting pipe to boiler's threaded fittings. Boiler's internal piping can be damaged if subjected to excessive torque.

- Support system piping and safety relief valve discharge piping. Boiler's internal piping and wall mount bracket can be damaged if subjected to excessive weight.
- Size central heating pump (and domestic hot water pump, if used) for system requirements only. Internal heat exchanger pump compensates for pressure drop through boiler internal piping and heat exchanger.
- Thoroughly clean and flush system before connecting to boiler.
- If oil is present in system water, use approved detergent to wash system.
- Flush system to remove any solid objects such as metal chips, fibers, or Teflon tape, etc.

5.2 Water System Characteristics

- Water in the heating system must have protection of metallic materials against corrosion.
- Filling water and subsequent replenishing, must be clear, with hardness under 150 ppm CaCO₃,
 - A. treated with approved conditioning chemicals to ensure prevention of corrosion and attack on metals and plastics, that gases do not form,
 - B. and bacterial or microbial masses do not proliferate in low temperature systems.
- Hardness exceeding 150 ppm CaCO₃, appropriate water softening treatment and/or use of suitable anti-fouling agents must be provided.

Water contained in the system must be checked at least yearly and have:

- A. pH above 7 and under 8.5 (under 8 with presence of components in aluminum or light alloys),
- B. iron content (Fe) less than 0.5 mg/l,
- C. copper content (Cu) less than 0.1 mg/l,
- D. total content of chlorides, nitrates and sulfates less than 50mg/l,
- E. must contain conditioning chemicals in concentration sufficient to protect system for a year.

There must be no microbial or bacterial loads in low temperature systems.

Conditioners, additives, inhibitors and anti-freeze fluids can be used only if manufacturer guarantees they are suitable for use in heating systems and they do not cause damage to heat exchanger or other components and/or materials of boiler and system.

Use of generic chemicals not specifically suitable for use in heating systems and/or incompatible with boiler materials and system is forbidden.

Conditioning chemicals must ensure complete deoxygenation of water and contain specific protective agents for yellow metals (copper and its alloys), anti-fouling agents for limescale at least up to 150 ppm CaCO₃, pH neutral stabilizers and, in low temperature systems, specific biocides for use in heating systems.

In systems with continuous intake of oxygen (e.g. floor systems without anti-diffusion pipes, open expansion vessels), or intermittent (e.g. in case of frequent replenishing), a separator must be provided. Regarding domestic hot water (DHW), no type of treatment which could prevent its possible food use can be provided for.

WARNING

- Poison hazard. Ethylene glycol is toxic. Do not use ethylene glycol.
- Never use automotive or standard glycol antifreeze, even ethylene glycol made for hydronic systems.
- Ethylene glycol can attack gaskets and seals used in hydronic systems.
- Use only inhibited propylene glycol solutions certified by fluid manufacturer as acceptable for use with closed water heating system.
- Thoroughly clean and flush any system that used glycol before installing new Boiler.
- Provide user with Safety Data Sheet (SDS) on fluid used.

NOTICE

Do not expose boiler to freezing temperatures.

5.3 Special Conditions

- System piping exposed to freezing conditions: Use inhibited propylene glycol solutions certified by fluid manufacturer for use with closed water heating system. Do not use automotive or ethylene glycol.
- Boiler used in connection with refrigeration system. Install piping in parallel with boiler, with appropriate valves to prevent chilled medium from entering boiler.
- System piping connected to heating coils located in air handling unit exposed to refrigerated air circulation. Install flow control valves or other automatic means to prevent gravity circulation of boiler water during cooling cycle.

5 - HYDRONIC PIPING

5.4 Storage Tank Connection For Domestic Hot Water Production

- Unit's electronic board is arranged for managing an external storage tank for domestic hot water production.
- See figure 11 for hydronic plumbing.
- Make electrical connections as shown on wiring diagram page 38.
- Boiler's control system recognizes presence of hot water tank probe and automatically configures DHW function, activating display and controls.
- Match Indirect tank heat exchanger and boiler capacity.
- Indirect tank may require dedicated pump. See figure 7 and indirect tank specification to determine pump size.
- Incorrect tank size or insufficient flow may result in:
 - F. Unsatisfactory indirect tank performance.
 - G. Boiler short cycling
 - H. Extended DHW calls resulting in delayed response to CH calls.

⚠ WARNING

Burn and Scald Hazard. Safety relief valve could discharge steam or hot water during operation. Install discharge piping per these instructions. Failure to do so could result in death or serious injury.

5.5 Safety Relief Valve

NOTICE

Boiler rated at 43.5 psig (.30MPa) maximum allowable working pressure. Boiler provided with 30 psig (.21MPa) safety relief valve.

- Install safety relief valve using pipe fittings provided with boiler. See figure 8.
- Install safety relief valve with spindle in vertical position.
- Do not install shutoff valve between boiler and safety relief valve.
- Install discharge piping from safety relief valve. See figure 9.
 - Use ¾" or larger pipe.
 - Use pipe suitable for temperatures of 375°F (191°C) or greater.
 - Individual boiler discharge piping shall be independent of other discharge piping.

Figure 7 - Indirect Tank Performance Chart

AVAILABLE PUMP HEAD vs FLOW for DHW INDIRECT TANK

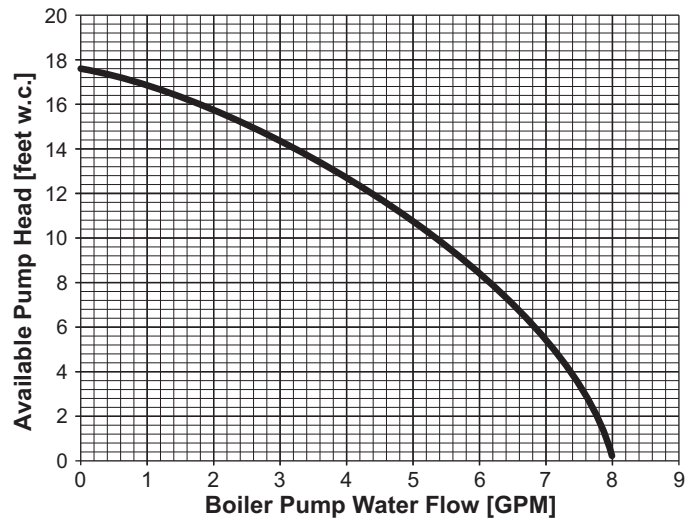
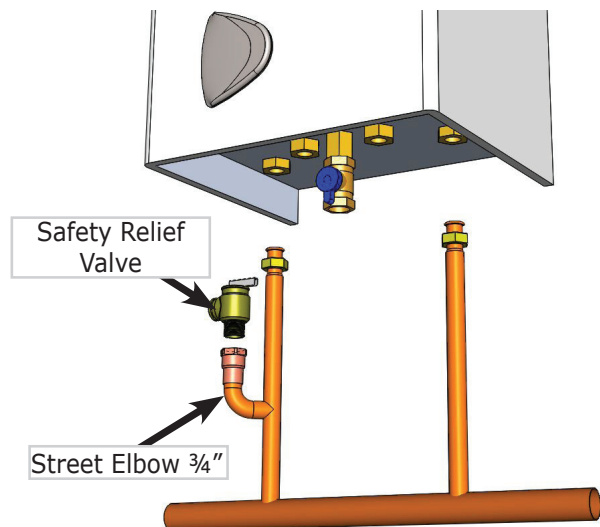


Table 2

Available pump head Feet water column	Flow US GPM
17.52	0
16.74	1
15.81	2
14.57	3
12.87	4
10.85	5
8.53	6
4.96	7
0.31	8

— CHB 100 - CHB 130 - CHB 150

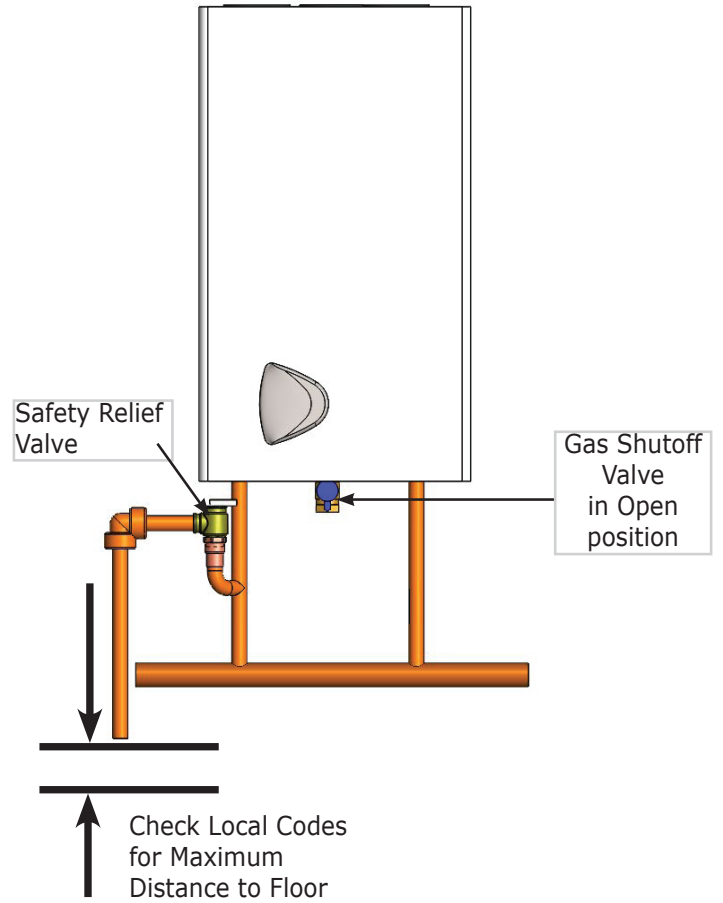
Figure 8 - Safety Relief Valve & Air Vent (Viewed from front of boiler)



5 - HYDRONIC PIPING

- Size and arrange discharge piping to avoid reducing safety relief valve relieving capacity below minimum relief valve capacity stated on rating plate.
- Run pipe as short and straight as possible to location protecting user from scalding and properly drain piping.
- Install union, if used, close to safety relief valve outlet.
- Install elbow(s), if used, close to safety relief valve outlet and downstream of union (if used).
- Terminate pipe with plain end (not threaded).

Figure 9 - Safety Relief Valve Discharge Piping



5 - HYDRONIC PIPING

5.6 System Piping

- Systems with automatic fill valves require back flow prevention device.
- Single boiler system.
Additional considerations:
 - Boiler control is designed for single central heating pump. Installer responsible for integration of multiple central heating pumps.

5.6a Low Water Cut Off (LWCO)

- Boiler installed above radiation level (or as required by authority having jurisdiction) shall have low water cutoff protection. See figure 10.
- Connect LWCO switch leads and 120V power leads to terminals provided. See Boiler Wiring Diagram. Provide power to LWCO per manufacturer's instructions.
- Low Water Cutoff (LWCO) probe location. See figure 10 for minimum probe height. Do not install shutoff valve between boiler and LWCO probe.
 - If using separate stand pipe, install air vent using tee to avoid nuisance shutdowns.
 - See figure 10 for suggested probe location.
 - Arrange piping to prevent water dripping onto boiler.

Figure 10 - LWCO Suggested Probe Location

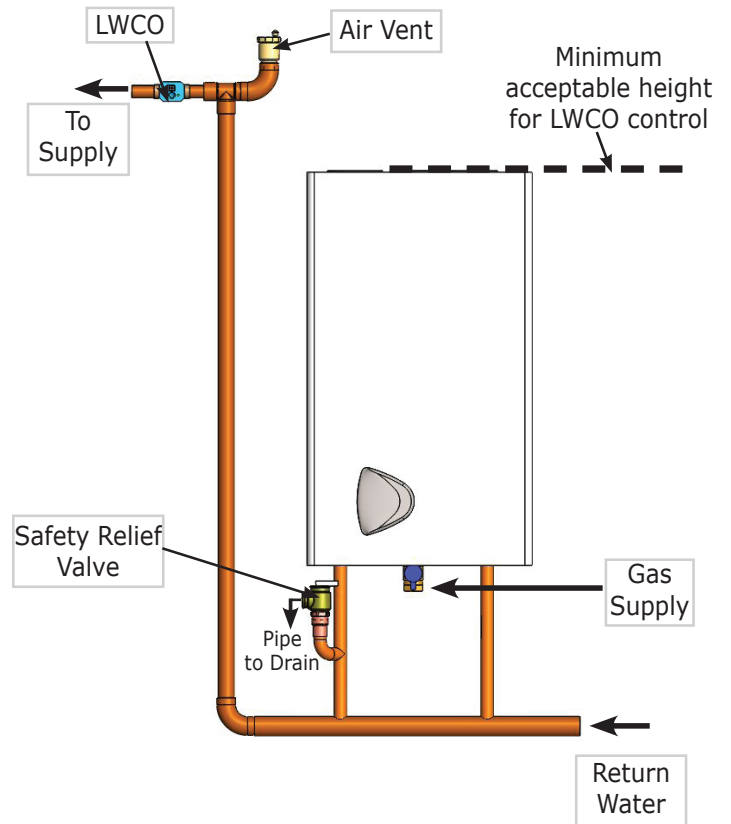
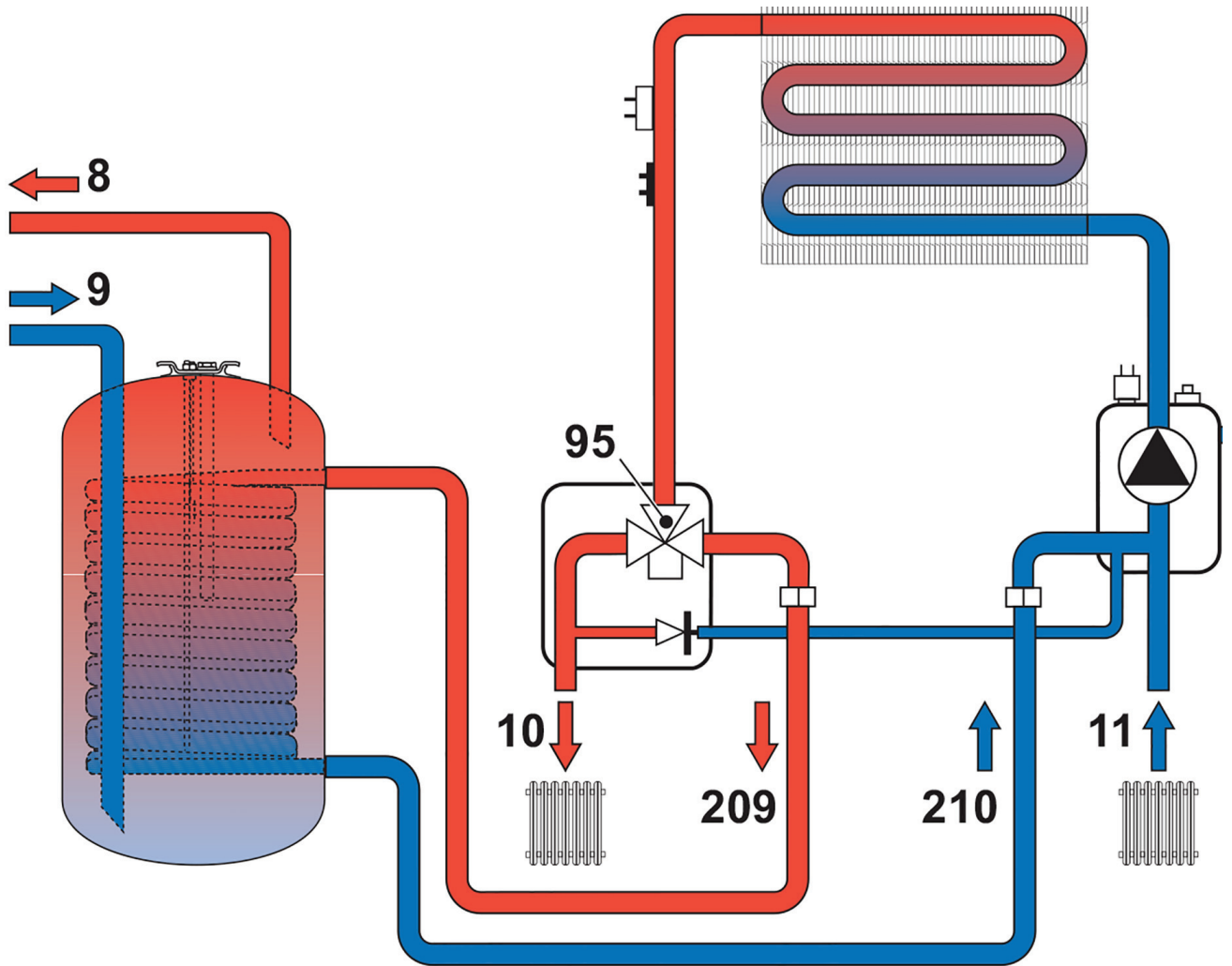


Figure 11 - Hydronic Piping - CHB 100/130/150



- 8** Domestic Hot Water Outlet
- 9** Domestic Cold Water Inlet
- 10** Heating System Supply
- 11** Heating System Return
- 95** Diverter Valve
- 209** Hot Water Tank Delivery
- 210** Hot Water Tank Return

6 - COMBUSTION AIR AND VENT PIPING - CATEGORY I (CHIMNEY VENT)

⚠ WARNING

Boiler and venting installations shall be performed by a qualified service agent and in accordance with the appropriate manual. Installing or venting boiler or other gas appliance with improper methods or materials may result in serious injury or death due to fire or to asphyxiation from poisonous gases such as carbon monoxide which is odorless and invisible.

⚠ WARNING

Do not connect boiler to any portion of mechanical draft system operating under positive pressure.

6.1 Check Your Chimney

Chimney must be clean, right size, properly constructed and in GOOD CONDITION.

1. Installation must conform to requirements of the authority having jurisdiction or, in absence of such requirements, to the National Fuel Gas Code, ANSI Z223.1/NFPA 54 and/or Natural Gas and Propane Installation Code, CAN/CSA B149.1.
2. In increaser fitting is required on this boiler for Category I venting, and 4" is minimum permissible vent diameter. This does not imply vent connector is intended to be 4" diameter pipe. Vent connector shall be sized according to appropriate venting tables in the National Fuel Gas Code and may be required to be larger than 4" diameter.

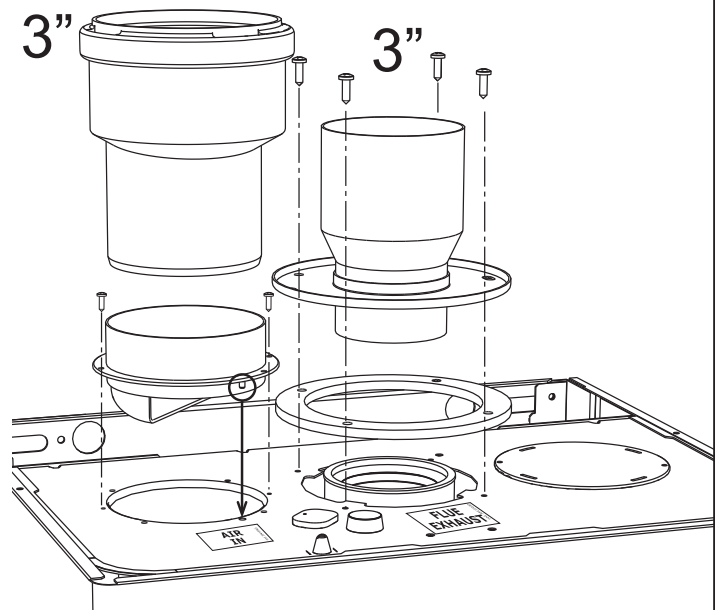
NOTICE

Boiler installation for chimney venting is not complete unless increaser fitting is located and secured.

3. These are Category I and Category III high efficiency boilers with lower stack or exhaust temperature.
4. Venting into masonry chimney without liner, line chimney from top to bottom with either:
 - A. Listed Type B vent pipe
 - B. Listed flexible vent liner
 - C. Poured ceramic liner.
5. Outside chimneys should not be used unless they are (choose one of the following):
 - A. Enclosed in a chase
 - B. Lined with Type B vent pipe
 - C. Use listed flexible vent liner
 - D. Use certified chimney lining system
6. Vent connector from boiler to chimney should run as directly as possible with as few elbows as possible.

7. Common venting shall not be allowed. Boiler and other certified appliances. appliances can share same chimney vent. Consult appropriate Vent Sizing Tables in National Fuel Gas Code for specific requirements of multiple appliance venting.
8. Boiler is only appliance connected to vent, Type B vent pipe is recommended for vent connector.
9. Slope pipe up from boiler to chimney not less than 1/4" per foot (21mm/m).
10. End of vent pipe must be flush with inside face of chimney flue. Use sealed-in thimble for chimney connection.
11. Fasten sections of vent pipe with sheet metal screws to make piping rigid. Use stovepipe wires to support pipe from above.
12. Do not connect to fireplace flue.
13. Do not install damper on this boiler.

Figure 12 - Combustion Air Fitting



Horizontal Venting requires field supplied appliance adapter for the boiler flue outlet. Boiler is provided with a 3" vent connection, 3" x 4" increaser must be field sourced for chimney application. This does not mean that the connection to the chimney will always be 4".

6 - COMBUSTION AIR AND VENT PIPING- CATEGORY I (CHIMNEY VENT)

6.2 Minimum Vent Pipe Clearance

- Use Type B vent pipe through crawl space. Where vent pipe passes through combustible wall or partition, use ventilated metal thimble. Thimble should be 4 inches larger in diameter than vent pipe.
- Boiler installed with single wall vent, must have 6" clearance between its surface and any combustible material. New Type B gas vent or flexible liner must be installed in accordance with instructions furnished with vent. Maintain clearances as specified for vent pipe.
- Verify vent pipe is fire-stopped where it goes through floor or ceiling. It should have approved vent cap with clearances from roof. If clearances are less than shown, have vent checked by local authorities. Figure 14, Page 21.
- Vent connectors serving appliances vented by natural draft shall not be connected into any portion of mechanical draft systems operating under positive pressure.

6.3 Removing Existing Boiler From Common Venting System

When an existing boiler is removed from a common venting system, common venting system is likely to be too large for proper venting of the appliances remaining connected to it.

1. At the time of removal of an existing boiler, the following steps shall be followed with each appliance remaining connected to the common venting system placed in operation, while the other appliance remaining connected to the common venting system are not in operation.
2. Seal any unused openings in the common venting system.
3. Visually inspect the venting system for proper size and horizontal pitch and determine there is no blockage or restriction, leakage, corrosion and other deficiencies which could cause an unsafe condition.
4. Insofar as is practical, close all building doors and windows and all doors between the space in which the appliances remaining connected to the common venting system are located and other spaces of the building. Turn on clothes dryers and any appliance not connected to the common venting system. Turn on any exhaust fans, such as range hoods and bathroom exhausts, so they will operate at maximum speed. Do not operate a summer exhaust fan. Close fireplace dampers.
5. Place in operation the appliance being inspected. Follow the lighting instructions. Adjust thermostat so appliance will operate continuously.

6. Test for spillage at the draft hood relief opening after 5 minutes of main burner operation. Use flame of a match or candle, or smoke from a cigarette, cigar, or pipe.
7. After it has been determined that each appliance remaining connected to the common venting system properly vents when tested as outlined above, return doors, windows, exhaust fans, fireplace dampers and any other gas-burning appliance to their previous conditions of use.
8. Any improper operation of the common venting system should be corrected so the installation conforms with the National Fuel gas Code, ANSI Z223.1/NFPA 54, and/or the Natural Gas and Propane Installation Code, CAN/CSA B149.1. When re-sizing any portion of the common venting system, the common venting system should be re-sized to approach the minimum size determined using the appropriate tables in Chapter 13 of the National Fuel Gas Code, ANSI Z223.1/NFPA 54, and/or the Natural Gas and Propane Installation Code, CAN/CSA B149.1.
9. It is recommended that existing gas vents be checked to be sure they meet local codes.

6.4 Modulating Fan

- Unit is equipped with an advanced combustion air, vent flow control system, with modulating fan and pressure sensor.
- Unit automatically adapts its operation to flue type and length, without requiring adjustments during installation or use of baffles in combustion circuit.
- Unit consistently and automatically regulates combustion air and vent flow according to change in thermal load. Combustion and heat exchange occur in optimum conditions. Unit's thermal efficiency remains high throughout its power range.

6.5 Venting Materials

- See Table 3

Table 3 - Combustion Air and Vent Pipe Fittings Category I (Chimney Vent)

Item	Material	Standards
Vent Pipe & Fittings	Type B Vent	UL 441, ULC S605
	Masonry Chimney - must conform to proper sizing and materials	National Fuel Gas Code, ANSI Z223.1/NFPA 54
Combustion Air	Stainless Steel, PVC, CPVC, PP, Aluminum	ANSI/ASTM D2564, ANSI/ASTM F493, UL 1738/ULC636-08

Induced Draft Boilers

Horizontal (Category III) venting systems installation shall conform to the requirements of the authority having jurisdiction or, in the absence of such requirements, to the National Fuel Gas Code, ANSI Z223.1/NFPA 54, and/or Natural Gas and Propane Installation Code, CAN/CSA B149.1

1. Boilers may be vented horizontally. Vent pipe is pitched down from boiler to vent termination. Do not connect other appliances to this vent.
2. Vent Pipe Material UL Listed - AL294C Stainless Steel vent pipe and fittings.
3. Clearance to Combustible Materials: For stainless steel vent pipe maintain 6" minimum air space clearance to combustible materials.
4. Vent Pipe Size: 3" vent pipe connected directly to the outlet of the induced draft blower.
5. Vent Pipe Length:
 - A. For stainless steel vent pipe, the maximum horizontal vent length is 65 equivalent feet.
 - B. Minimum horizontal vent length is 5 equivalent feet.
 - C. For 3" 90° elbows = 5 equivalent feet of vent length.
6. Vent Termination Fitting: For all vent pipe materials, you may use either:
 - A. 90° elbow pointing down, fitted with a minimum 1/4" mesh screen to keep out rodents and birds. The elbow shall be of the same material and size as vent pipe. The elbow exit should be at least 6" away from exterior wall.

-or-

 - B. Concentric side wall vent hood.
7. Vent Pipe Termination Location :
 - A. When venting through combustible walls, combustible clearances must be considered. ECR vent termination, 5612601, is a certified direct vent termination (for Category III venting) providing both the outside vent termination and a double wall pipe for passing through a combustible wall up to 10" thick. Vent terminations by other manufacturers may also be used as long as they are certified for category III venting.
 - B. If the 90° elbow is the termination fitting of choice, then the single wall pipe will be passing through the side wall. For combustible walls, a UL listed thimble shall be used where the single wall pipe passes through the wall.
 - C. For single wall pipe through non-combustible walls, the hole through the wall need only be large enough to maintain the pitch of the vent pipe, and provide proper sealing. A thimble is not required for single wall pipe passing through non-combustible walls.

- D. The venting system shall terminate at least 3 feet (0.9m) above any forced air inlet located within 10 feet (3m). The venting system shall terminate at least 4 feet (1.2m) below, 4 feet (1.2m) horizontally from, or 1 foot (300 mm) above any door, window, or gravity air inlet into any building. The bottom of the vent shall be located at least 12 inches (300mm) above grade. Termination of the vent shall be not less than 7 feet (2.13m) above adjacent public walkway. The vent terminal shall not be installed closer than 3 feet (0.9m) from the inside corner of an L shaped structure. Termination of the vent should be kept at least 3 feet (0.9m) away from vegetation. The venting system shall terminate at least 4 feet horizontally from, and in no case above or below, unless a 4 foot horizontal distance is maintained, from electric meters, gas meters, regulators, and relief equipment.
 - The venting system shall terminate at least 4 feet below any eave, soffit, or roof overhang.
 - The venting system shall not terminate underneath any deck, patio, or similar structure.
 - Put vent on a wall away from the prevailing winter wind. Locate or guard the vent to prevent accidental contact with people or pets.
 - Terminate the vent above normal snow-line. Avoid locations where snow may drift and block the vent. Ice or snow may cause the boiler to shut down if the vent becomes obstructed.
 - Under certain conditions, flue gas will condense, forming moisture. In such cases, steps should be taken to prevent building materials at the vent terminal from being damaged by exhaust of flue gas.

United States - Terminate vent system at least 4 feet (1.22m) horizontally from, and in no case above or below, unless a 4 feet (1.22m) horizontal distance is maintained, from electric meters, gas meters, regulators and relief equipment.

Canada - Terminate vent system at least 6 feet (1.83 m) horizontally from, and in no case above or below, unless a 6 feet (1.83m) horizontal distance is maintained, from electric meters, gas meters, regulators and relief equipment.

8. Joining and Sealing the Vent Pipe: The vent pipe needs to be both watertight and gas tight. Seal all joints and seams following vent pipe manufacture's installation instructions.
9. Support Spacing: Do not restrict thermal expansion movement of the vent. The vent pipe must expand and contract freely with temperature change. Each run of vent piping shall be supported following vent pipe manufacture's instructions.

6 - COMBUSTION AIR AND VENT PIPING OF DIRECT VENT AND CATEGORY III

10. If the horizontal vent must go through a crawl space or other unheated space, the cool temperatures will likely cause the flue gases to continuously condense inside the vent pipe. Do not insulate the vent pipe. It must be visible for monthly inspection. Insure that the vent pipe is properly pitched away from the boiler, with no low spots, so that condensate in the vent will drain away from the boiler. An insulated enclosure or chase, with access for inspection and servicing of the vent, may be required to prevent freezing of liquid condensate. Consult the vent pipe manufacturer's instructions for specific guidelines.
11. At beginning of each heating season and monthly during the heating season, check all vent pipes and vent terminal to make sure there are no obstructions. Periodically clean the screen in the vent terminal.

WARNING

Vent extending through exterior wall shall not terminate adjacent to wall or below building extensions such as eaves, balconies, parapets or decks. Failure to comply could result in death or serious injury.

Table 4 - Combustion Air and Vent Pipe Fittings

Type	Item	Diameter	Min Length	Max Length	Material	Standards
Direct vent	Vent	3"	5 ft	65 ft	AL294C Stainless Steel, Aluminum	UL1738, ULC S636
	Air intake	3"	5 ft	65 ft	Stainelss Steel, PVC, CPVC, PP, Aluminum	ANSI/ASTM D2564, ANSI/ASTM F493, UL 1738/ULC636-08
Category III	Vent	3"	5 ft	65 ft	AL294C Stainless Steel, Aluminum	UL1738, ULC S636

Equivalent Length of Venting Components:

- 5 ft. equivalent for a 3" 90° elbow.
- 2 1/2 ft. equivalent for a 3" 45° elbow.

6 - COMBUSTION AIR AND VENTILATION

Provide combustion air and ventilation air in accordance with the section "Air for Combustion and Ventilation," of the National Fuel Gas Code, ANSI Z223.1/NFPA 54, or Sections 8.2, 8.3 or 8.4 of Natural Gas and Propane Installation Code, CAN/CSA B149.1, or applicable provisions of local building codes.

Provide make-up air where exhaust fans, clothes dryers, and kitchen ventilation equipment interfere with proper operation.

National Fuel Gas Code recognizes several methods of obtaining adequate ventilation and combustion air. Requirements of the authority having jurisdiction may override these methods.

- Engineered Installations. Must be approved by authority having jurisdictions.
- Mechanical Air Supply. Provide minimum of 0.35 cfm per Mbh for all appliances located within space. Additional requirements where exhaust fans installed. Interlock each appliance to mechanical air supply system to prevent main burner operation when mechanical air supply system not operating.
- All Indoor Air. Calculate minimum volume for all appliances in space. Use a different method if minimum volume not available.
 - ◇ Standard Method. Cannot be used if known air infiltration rate is less than 0.40 air changes per hour. See Table 5 for space with boiler only. Use equation for multiple appliances.

$$\text{Volume} \geq 50 \text{ ft}^3 \times \text{Total Input [Mbh]}$$
 - ◇ Known Air Infiltration Rate. See Table 5 for space with boiler only. Use equation for multiple appliances. Do not use an air infiltration rate (ACH) greater than 0.60.

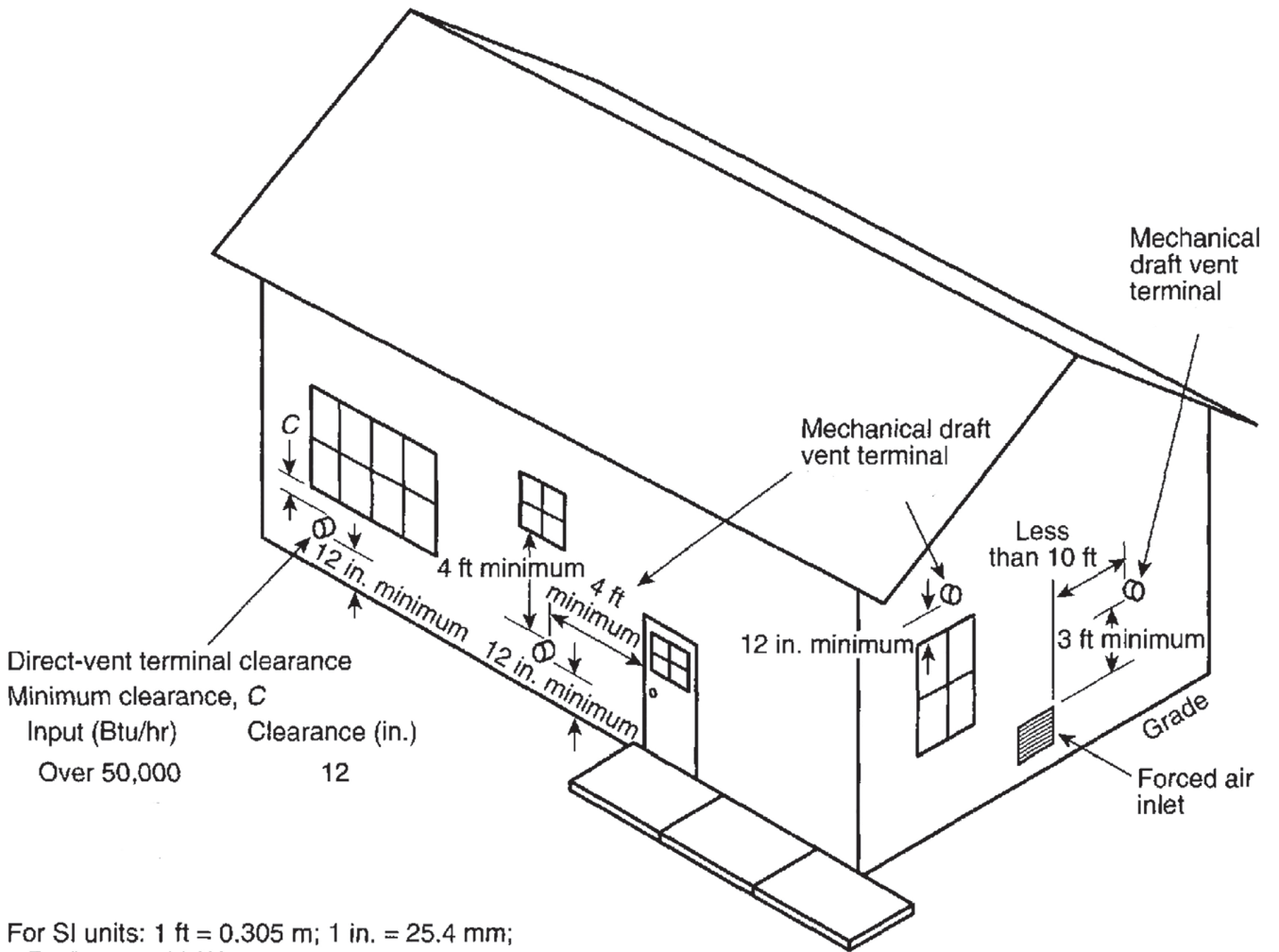
$$\text{Volume} \geq 15 \text{ ft}^3/\text{ACH} \times \text{Total Input [Mbh]}$$
 - ◇ Refer to National Fuel Gas Code for opening requirements between connection indoor spaces.

- All Outdoor Air. Provide permanent opening(s) communicating directly or by ducts with outdoors.
 - ◇ Two Permanent Opening Method. Provide opening commencing within 12 inches of top and second opening commencing within 12 inches of bottom enclosure.
 - ◆ Direct communication with outdoors or communicating through vertical ducts. Provide minimum free area of 1 in² per 4 Mbh of total input rating of all appliances in enclosure.
 - ◆ Communicating through horizontal ducts. Provide minimum free area of 1 in² per 2 Mbh of total input rating of all appliances in enclosure.
 - ◇ One Permanent Opening Method. Provide opening commencing within 12 inches of top of enclosure. Provide minimum clearance of 1 inch on sides and back and 6 inches on front of boiler (does not supersede clearance to combustibles materials).
 - ◇ Combination Indoor and Outdoor Air. Refer to National Fuel Gas Code for additional requirements for louvers, grilles, screens and air ducts.
- Combination Indoor and Outdoor Air. Refer to National Fuel Gas Code for application information. National Gas and Propane Installation Code Requires providing air supply in accordance with:
 - Section 8.2 and 8.3 when combination of appliances has a total input of up to and including 400 Mbh (120kW).
 - ◆ Does not have draft control device.
 - Section 8.4 when combination of appliances has total input exceeding 400 Mbh (120 kW).
 - Refer to Natural Gas and Propane Installation Code for specific air supply requirements for enclosure or structure where boiler is installed, including air supply openings and ducts.

Table 5 - Air Infiltration

Input Mbh	Standard Method	Known Air Infiltration Rate Method (Air Changes Per Hour)					
		0.1	0.2	0.3	0.4	.05	0.6
100	5000	15,000	7,500	5,000	3,750	3,000	2,500
130	6500	19,500	9,750	6,500	4,875	3,900	3,250
150	7500	22,500	11,250	7,500	6,625	4,500	3,750

Figure 13 - Horizontal Venting Clearances



For SI units: 1 ft = 0.305 m; 1 in. = 25.4 mm;
1 Btu/hr = 0.293 W

NOTICE

Maintain 12" (30cm) US, 18" (46cm) Canada clearance above highest anticipated snow level or grade.

Figure 14 - Two Pipe Venting

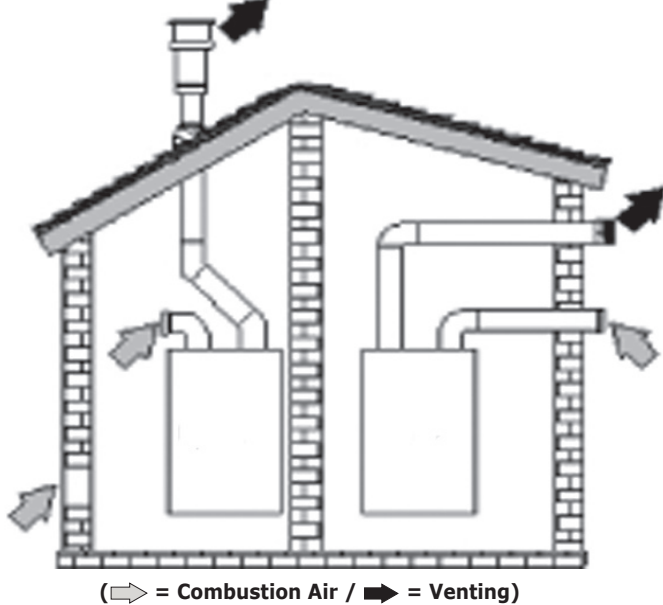
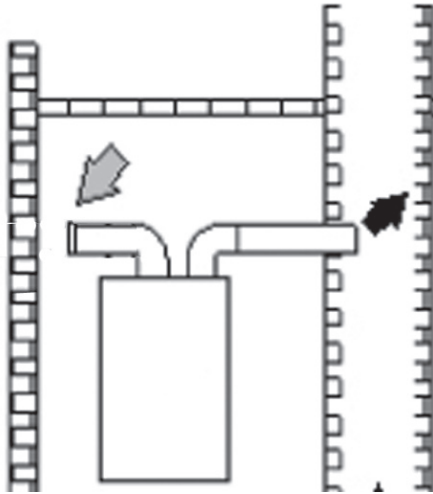


Figure 15 - Chimney Venting with Room Air Single Wall

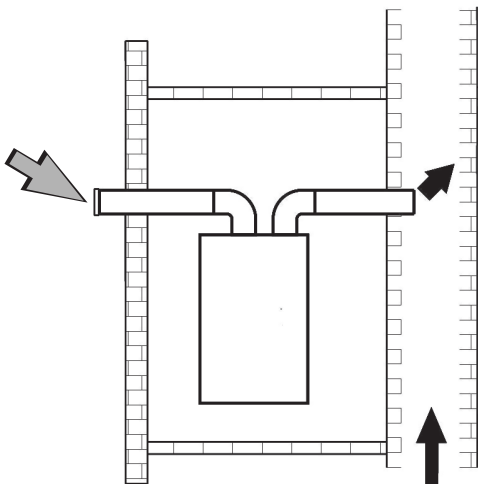


(⇨ = Combustion Air / ⇨ = Venting)

NOTICE

Refer to section 6.1, numbers 3 through 12, page 15 of this manual for proper installation.

Figure 16 - Chimney Venting with Outside Air Single Wall



(⇨ = Combustion Air / ⇨ = Venting)

DIRECT VENT BOILER - Boiler constructed and installed so all combustion air is derived directly from outdoors and all vent gases are discharged to outdoors. See Figure 15.

7 - GAS SUPPLY PIPING

⚠ CAUTION

WHAT TO DO IF YOU SMELL GAS

- Do not try to light any appliance.
- Do not touch any electrical switch; do not use any phone in your building.
- Immediately call your gas supplier from a neighbor's phone. Follow gas supplier's instructions.
- If you cannot reach your gas supplier, call the fire department.

7.1 General

- Use piping materials and joining methods acceptable to authority having jurisdiction. In absence of such requirements:
 - USA - National Fuel Gas Code, ANSI Z223.1/NFPA 54
 - Canada - Natural Gas and Propane Installation Code, CAN/CSA B149.1
- Size and install gas piping system to provide sufficient gas supply to meet maximum input at not less than minimum supply pressure. See Table 6.
- Support piping with hooks straps, bands, brackets, hangers, or building structure components to prevent or dampen excessive vibrations and prevent strain on gas connection. Boiler will not support piping weight.
- Use thread (joint) compound (pipe dope) suitable for liquefied petroleum gas.
- Provide sediment trap up stream of gas valve.
- Install manual main shutoff valve outside of jacket. See figure 17.

7.2 Conversion To LP

Refer to Gas Conversion Kit Instructions.

⚠ DANGER

Fire Hazard. Do not use matches, candles, open flames, or other methods providing ignition source. Failure to comply will result in death or serious injury.

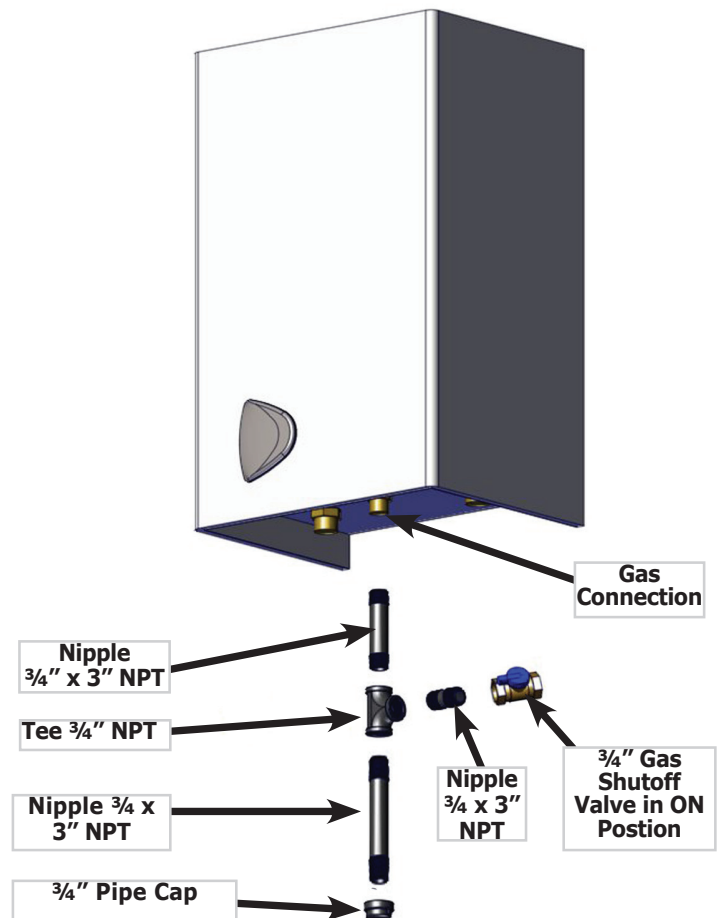
7.3 Leak Check Gas Piping

Pressure test boiler and gas connection before placing boiler in operation.

- Pressure test over 1/2 psig (3.5 kPa). Disconnect boiler and its individual gas shutoff valve from gas supply system.
- Pressure test at 1/2 psig (3.5 kPa) or less. Isolate boiler from gas supply system by closing manual gas shutoff valve. See figure 16.
- Locate leakage using gas detector, noncorrosive detection fluid, or other leak detection method acceptable to authority having jurisdiction. Do not use matches, candles, open flames, or other methods that can provide ignition source.
- Correct leaks immediately and retest.

Figure 17 Manual Main Gas Shutoff Valve Outside Boiler Jacket

With Manufacturer Suggested Piping With Drip Leg



Manufacturer suggested gas piping with drip leg.

Table 6 - Gas Supply Pressure

Gas Supply Pressure	
Natural Gas	
Min.	Max.
3.5" w.c. (0.7 kPa)	14" w.c. (3.3 kPa)

8 - ELECTRICAL CONNECTIONS

⚠ WARNING

Electrical shock hazard. Turn OFF electrical power supply at service panel before making electrical connections. Failure to do so could result in death or serious injury.

8.1 General

Electrically bond boiler to ground in accordance with requirements of authority having jurisdiction. Refer to:

- USA- National Electrical Code, ANSI/NFPA 70.
- Canada - Canadian Electrical Code, Part I, CSA C22.1: Safety Standard for Electrical Installations.

8.2 Line Voltage Connections - Boiler

Provide individual 120V, 15 amp circuit (recommended) with fused disconnect or service switch as required by authority having jurisdiction.

8.3 Central Heating Thermostat

- Use thermostat or boiler system control with dry contacts. Boiler control does not provide 24 VAC power to central heating thermostat. Do not use to power 24VAC thermostat.
- Locate and install thermostat per manufacturer's instructions. Maximum wire length is 330 ft (100m) for 22 ga. wire.
- Remove manufacturer supplied "jumper". Connect "call for heat" wires to terminals 1 and 2 as shown in figure 18. Wires are interchangeable.

8.4 Optional Outdoor Temperature Sensor (138)

- Connect outdoor temperature sensor between terminals 5 and 6 to enable outdoor reset operation of the boiler. If fixed temperature operation is required, do not install outdoor sensor.
- Mount sensor on exterior wall. Shield sensor from direct sunlight, heat flow or cooling from other sources.

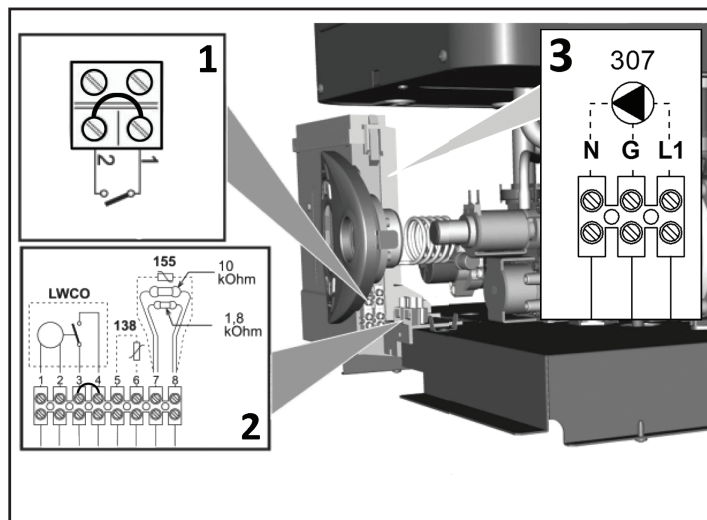
8.5 Optional DHW Limit Control (155)

- Connect storage indirect water heater (DHW) limit control between terminals 7 and 8.
- Remove both resistors on terminals 7 & 8 when using DHW limit control.

8.6 Low Water Cutoff (LWCO) (370) - Field source

- Connections on 1 & 2 terminals are 120 Volts A/C.
- Connections on 3 & 4 are dry contact only.
- Remove Jumper on terminals 3 and 4 when using Low Water Cutoff .

Figure 18 - Terminal Block



1 - Thermostat or dry contacts. Remove manufacturer supplied "jumper".

2 - 138 = Optional External Outdoor Reset Sensor Connections on 5 & 6 terminals
155 = Optional Indirect Tank Sensor Connections on 7 & 8 terminals
Remove both resistors on terminals 7 & 8 when using optional Indirect tank sensor .
370 = Low Water Cutoff (LWCO) - field source. Connections on 1 & 2 terminals are 120 Volts A/C. Connections on 3 & 4 are dry contact only. Remove Jumper on terminals 3 and 4 when using Low Water Cutoff.

3 - 307 = Heating system second circulating pump (field source)
Connections on L1 & N terminals are 120 Volts A/C

NOTICE

Follow all instructions in regards to removal of jumper wires.

9 - START UP PROCEDURE

9.1 Fill Boiler With Water And Purge Air

NOTICE

To maintain boiler efficiency and prevent boiling inside the heat exchanger, flush entire heating system until clean.

- Flush heating system, including all heating zones.
- Fill boiler with potable water.
- Fill boiler and system piping with water (or antifreeze-water solution, if used). See antifreeze information Section 5.3 page 11. Purge air from boiler using air vent. Purge air from system piping.
- Inspect system piping and boiler connections. Repair any leaks immediately.
- Activate all heating zones and calls for heat, including CH calls and DHW calls (if available).
- Do not open gas shutoff valve until all air is purged from system.

9.2 Boiler Start-up and Operational Test

1. Verify air is purged from hydronic piping
2. Test system pumps - verify each pump is operational
3. Verify gas piping
 - Confirm pressure test. See section 7.3 page 23.
 - Visually inspect piping to determine there are no open fittings or ends, and all valves at unused outlets are closed and plugged/capped.
 - Purge air from piping
 - Check piping and connections for leaks immediately after gas is turned on. Shut off gas supply and make necessary repairs if leaks found.
4. Follow OPERATING INSTRUCTIONS to initiate boiler operation. See section 10.
5. Inspect combustion air and vent piping. Verify pipe is not leaking and terminations are unobstructed and vent gas discharge is not a nuisance or hazard.
6. Verify boiler operates.
7. Check control module operation.
8. Check field sourced limits, low water cutoffs, etc. per manufacturer's instructions.

⚠ WARNING

Asphyxiation hazard. Carbon monoxide is odorless, tasteless, clear colorless gas, which is highly toxic. Carbon monoxide production shall not exceed 400ppm. Failure to follow these instructions could result in death or serious injury.

⚠ WARNING

Asphyxiation hazard. Verify cap is firmly placed on combustion analyzer port to prevent CO emission. Failure to do so could result in death or serious injury.

9.3 Burner Pressure Adjustment

Unit has flame modulation, with two fixed pressure values: minimum and maximum. See sec. 12 and figure 20 for adjustments.

Connect pressure gauge to pressure point "B" on gas valve.

1. Remove protection cap "D".
2. Operate boiler in TEST mode.
3. Adjust maximum pressure by turning screw "G" clockwise ↻ to increase pressure and counter clockwise ↻ to decrease.
4. Disconnect one of two connectors "C" from modulation regulator "F" on the gas valve.
5. Adjust minimum pressure by turning screw "E" clockwise ↻ to increase the pressure and counter clockwise ↻ to decrease it.
6. Turn burner on and off, verify minimum pressure remains stable.
7. Reconnect connector "C" detached from modulation regulator "F" on the gas valve.
8. Verify maximum pressure has not changed.
9. Replace protection cap "D".
10. To end TEST mode, repeat activation sequence or wait 15 minutes.

9.4 To Enter Test Mode/Adjust Heating Power

Press CH +/- buttons at the same time for 5 seconds.

- 3 way valve is in CH position and burner is forced at 100%. Boiler automatically exits test mode after 15 minutes or to exit test mode manually press CH +/- buttons together for 5 seconds.
- With Ch +/- buttons you can adjust Max power from (0 to 100%)

9.5 Ignition Adjustment

To adjust ignition, switch boiler to TEST mode (See Start up Procedure). Press DHW buttons to increase or decrease power (min. = 00, max. = 60). Press **RESET** button within 5 seconds and ignition remains set. Exit **TEST** mode.

9 - START UP PROCEDURE

9.6 Check Combustion and Input Rate

Natural Gas

1. Measure input rate. Turn off gas to all other appliances.
 - Activate some heating zones to dissipate heat.
 - Set boiler on high fire, wait 10 minutes for boiler to stabilize.
 - Use ½, 1 or 2 cu ft dial on gas meter. Measure time required for one or more complete revolutions. Measure time for 1-2 minutes.
 - Calculate input.

$$\text{Input (MBH)} = \frac{3600 \times \text{cu ft}}{\text{seconds}}$$

Example: Gas flow from
 Meter = 2 cu ft
 Measured time = 72 seconds

$$\text{Rate (MBH)} = \frac{3600 \times 2 \text{ cu ft}}{72 \text{ seconds}} = 100 \text{ MBH}$$

2. Measure Combustion

Two sampling test ports are available at top of the boiler, one for venting and the other for combustion air. See figure 19.

To sample:

- Open the air/vent outlet plug.
- Insert probes all the way in.
- Turn on TEST mode, wait 10 minutes for boiler to stabilize.
- Take combustion measurements using "vent outlet" port. See Table 7

Figure 19 - Test Ports

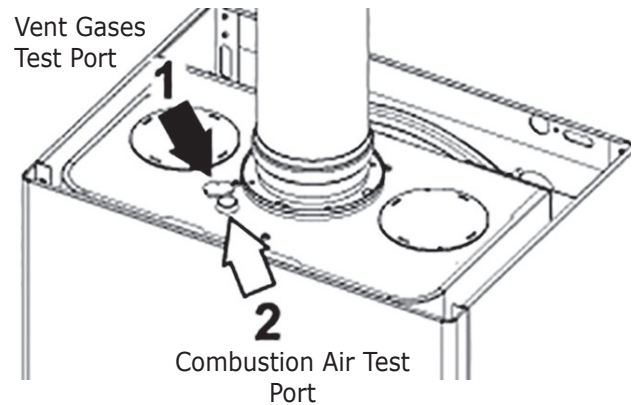
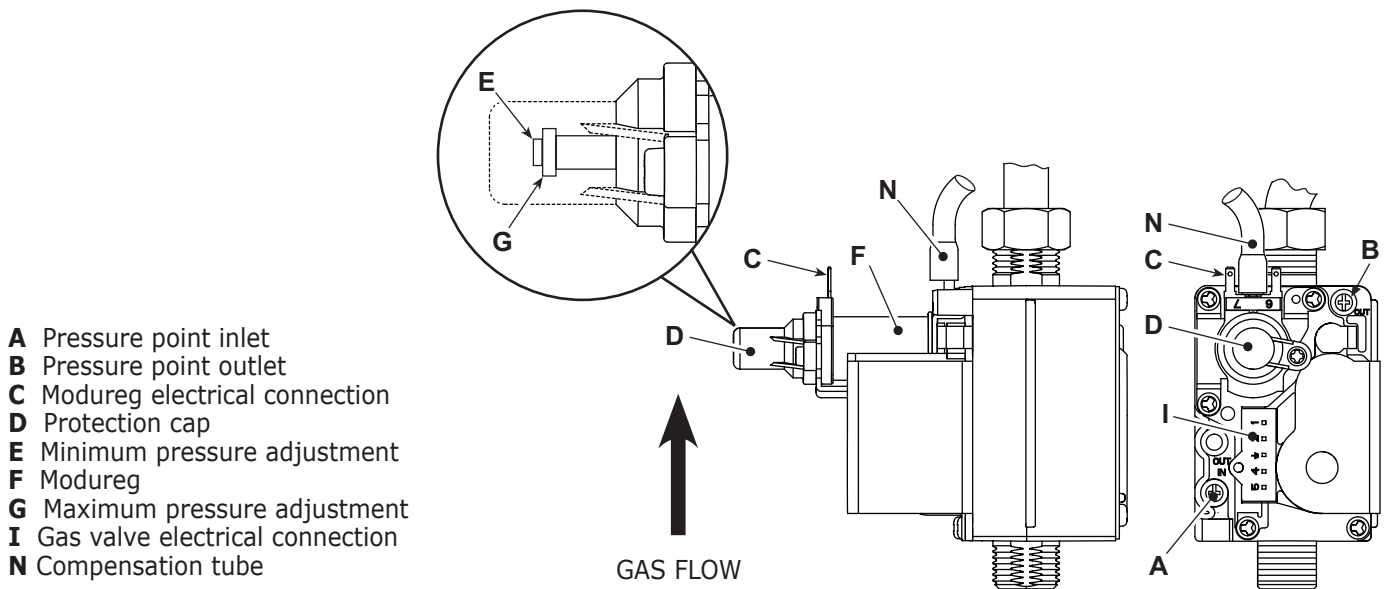


Table 7 - Combustion Table

Combustion Minimum/Maximum	
	<i>Natural Gas</i>
High Fire - CO ₂ at 100 (%)	7.3 - 7.8
Low Fire - CO ₂ at 33 (%)	3.0 - 5.0

Figure 20 - Gas Valve



- A** Pressure point inlet
- B** Pressure point outlet
- C** Modureg electrical connection
- D** Protection cap
- E** Minimum pressure adjustment
- F** Modureg
- G** Maximum pressure adjustment
- I** Gas valve electrical connection
- N** Compensation tube

⚠ WARNING

If you do not follow these instructions exactly, a fire or explosion may result causing property damage, personal injury or loss of life.

- This appliance is equipped with an ignition device which automatically lights burner. **Do NOT try to light this burner by hand.**
- Before operating smell all around appliance area for gas. Be sure to smell next to floor because some gas is heavier than air and will settle to the floor.
- **Use only your hand to turn the gas shutoff valve.** Never use tools. If valve will not turn by hand, do not try to repair it, call a qualified service technician. Force or attempted repair may result in fire or explosion.
- **Do not use this appliance if any part has been under water.** Immediately call a qualified service technician to inspect appliance and to replace any part of control system and any gas control which has been under water.

10.1 OPERATING INSTRUCTIONS

Stop! Read Safety information above.

- Set thermostat to lowest setting.
- Turn "OFF" all electrical power to appliance.
- This appliance is equipped with an ignition device which automatically lights the burner. **Do not try to light burner by hand!**
- Turn gas shutoff valve ↻ to closed position. Handle should be perpendicular to gas pipe.
- Wait 5 minutes for any gas to clear. Smell for gas, including near floor. If you smell gas, **STOP!** Follow instructions on this page: "**What To Do If You Smell Gas.**" If you do **not** smell gas, go to next step.
- Turn gas shutoff valve ↻ to open position. Handle should be parallel to gas pipe.
- Turn "ON" electrical power to appliance.
- Set thermostat to desired setting.
- If the appliance will not operate, follow instructions TO TURN OFF GAS TO APPLIANCE and call your service technician or gas supplier.

⚠ CAUTION

WHAT TO DO IF YOU SMELL GAS

- Do not try to light any appliance.
- Do not touch any electrical switch; do not use any phone in your building.
- Immediately call your gas supplier from a neighbor's phone. Follow the gas supplier's instructions.
- If you cannot reach your gas supplier, call the fire department.

10.2 TO TURN OFF GAS TO APPLIANCE

- Set thermostat to lowest setting.
- Turn "OFF" all electric power to appliance if service is to be performed.
- Turn gas shutoff valve handle ↻ to closed position. Handle should be perpendicular to gas pipe.

Figure 21 Gas Shutoff Valve - Open Position

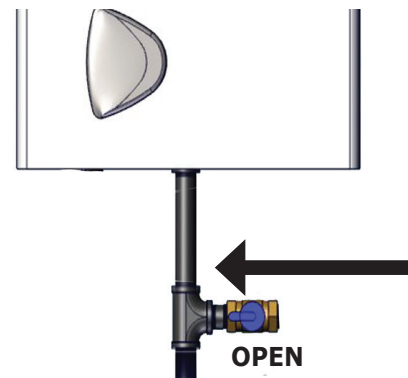
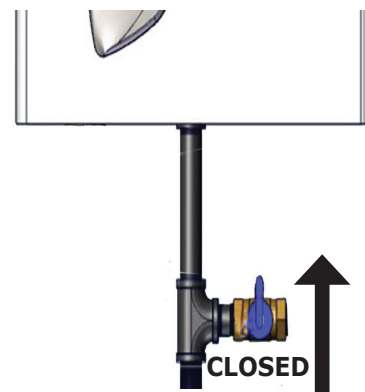


Figure 22 Gas Shutoff Valve - Closed Position

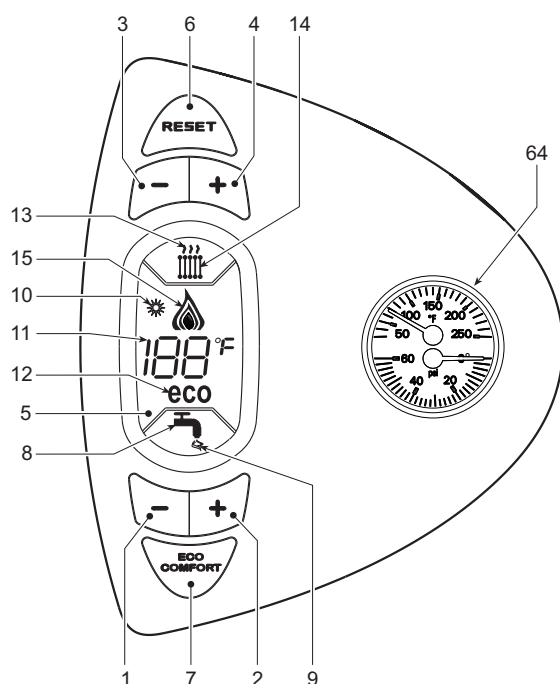


10 - OPERATING INSTRUCTIONS

10.3 Checks During Operation

- Boiler is arranged for connection to an external storage tank for hot water production (optional). All functions relevant to domestic hot water production are only active with the optional water tank sensor connected.
- Check for leaks in piping systems. Correct immediately if found.
- Check the efficiency of the flue gases and combustion air ducts while the boiler is working.
- Check water is circulating between boiler and systems.
- Verify the gas valve modulates correctly in both heating and hot water production phases.
- Check proper ignition of the boiler by turning it on and off with the room thermostat.
- Check parameters are programmed correctly and perform any required customization (compensation curve, power, temperatures, etc.)

10.4 Control Panel



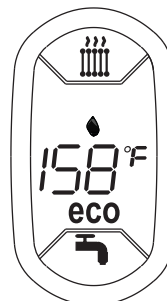
Key

- 1 = DHW Temperature Setting Decrease Button
- 2 = DHW Temperature Setting Increase Button
- 3 = Heating System Temperature Setting Decrease Button - CH
- 4 = Heating System Temperature Setting Increase Button - CH
- 5 = Display
- 6 = Summer/Winter Mode Selection - Reset Button
- 7 = Unit On/Off - Economy/Comfort Mode Selection Button
- 8 = DHW Symbol
- 9 = DHW Mode
- 10 = Summer Mode
- 11 = Multifunction - Temperature
- 12 = Eco (Economy) Mode
- 13 = Heating
- 14 = Heating Symbol
- 15 = Burner On And Actual Power
- 64 = C.H. Temperature Pressure Gauges

10.5 Indicator During Operation

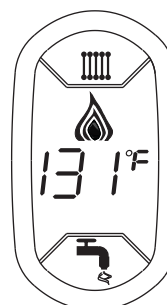
Heating

Call for heat (generated by Room Thermostat) is indicated by hot air flashing above radiator symbol on the control.



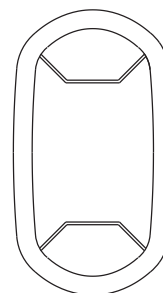
Hot water

If optional tank sensor is installed call for hot water is indicated by hot water flashing under the tap on the control.



10.6 Turning on and off

NO electrical power to the boiler

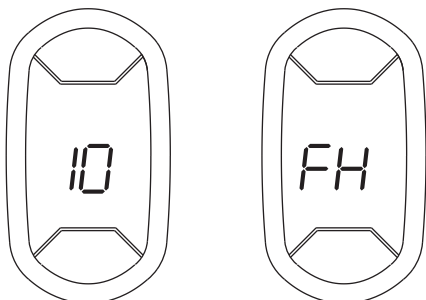


The antifreeze system does not work when power and/or gas to the unit are turned off. To avoid damage caused by freezing during long idle periods in winter, it is advisable to drain all water from the boiler, DHW circuit and system; or drain just the DHW circuit and add a suitable antifreeze to the heating system. See Section 5.3 page 11.

10 - OPERATING INSTRUCTIONS

Boiler Ignition

Supply unit with electricity.



Boiler ignition

For 120 seconds display will show FH which identifies the air venting cycle for the heating system.

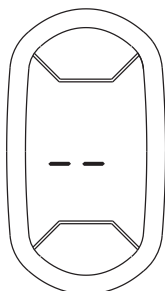
During the first 5 seconds the display will show the software release of the card also.

Open the gas valve before the boiler.

When FH vanishes, boiler is ready to automatically work whenever indirect tank sensor or room thermostat requests heating.

Turning the boiler off

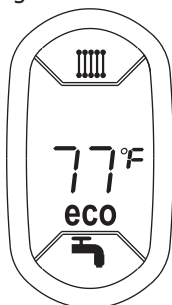
Press the button below (see item 7 on the control panel display) for 5 seconds.



When the boiler is turned off, the electronic board is still powered.

Domestic hot water and heating operation are disabled. The antifreeze system remains activated.

To re-light the boiler, press the button (see item 7 on the control panel display) again for 5 seconds.



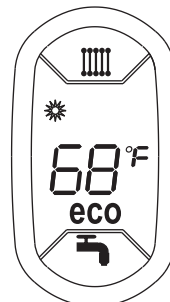
Boiler will be immediately ready to operate whenever indirect tank sensor or room thermostat demand.

Summer/Winter Switch over

NOTICE

Activating this button will keep your boiler from operating. Verify that boiler is not required to run Domestic Hot Water (DHW) needs.

Press the button for 2 seconds.

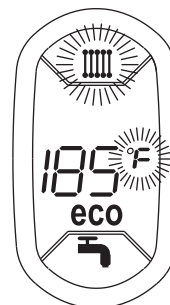


Display will activate Summer symbol (see item 10 on the control panel display). If optional tank sensor is installed boiler will activate DHW circuit only. Antifreeze system stays on.

To turn off Summer mode, press button again for 2 seconds.

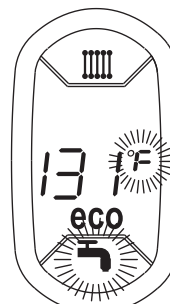
Heating temperature setting

Use heating buttons (see items 3 and 4 on the control panel display) to change the temperature from minimum of 86°F (30°C) to a maximum of 185°F (85°C); it is advisable to not operate boiler below 113°F (45°C).



Domestic hot water temperature adjustment

Operate DHW buttons (see items 1 and 2 on the control panel display) to vary the temperature from a minimum of 50°F (10°C) to a maximum of 149°F (65°C).



10 - OPERATING INSTRUCTIONS

Hot water tank exclusion (economy)

Hot water tank temperature maintaining/heating can be excluded by the user. If excluded, domestic hot water will not be delivered.

The hot water tank can be deactivated by the user (ECO mode) by pressing the ECO/COMFORT button (detail 7 - control panel display). In ECO mode the display activates the ECO symbol (detail 12 - on control panel display). To activate COMFORT mode, press the ECO/COMFORT button (detail 7 - on control panel display) again.

Sliding temperature

- When the optional external probe is installed, the boiler control system operates with "Sliding Temperature". In this mode, the temperature of the heating system is controlled according to the outside weather conditions, in order to ensure high comfort and energy saving throughout the year.
- As the outside temperature increases the system delivery temperature decreases according to a specific "compensation curve".
- With Sliding Temperature adjustment, the temperature set with the heating buttons (details 3 and 4 on control panel display) become the maximum system delivery temperature.
- Manufacture recommends setting the maximum value to allow system adjustment throughout its useful working range.
- Boiler must be adjusted at time of installation by qualified service agent. Adjustments can be made by user to improve comfort.

Compensation curve and curve offset

Press the button (see item 6 on the control panel display) for 5 seconds once to display the actual compensation curve, which can be modified with the **DHW buttons** (see items 1 and 2 on the control panel display).

Adjust the required curve from 1 to 10 according to the characteristic.

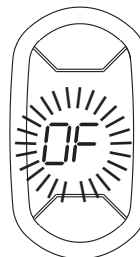
By setting the curve to 0, sliding temperature adjustment is disabled.

Compensation curve



Press the heating buttons (see items 3 and 4 on the control panel display) to access parallel curve offset modifiable with the DHW buttons (see items 1 and 2 on the control panel display).

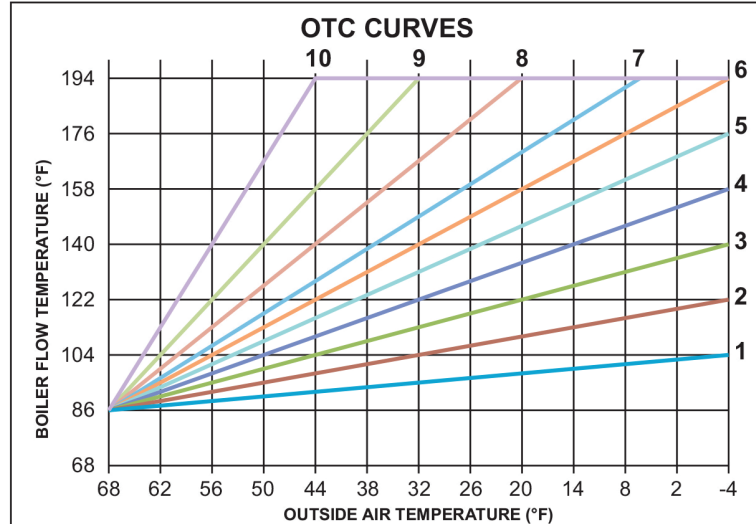
Parallel curve shift



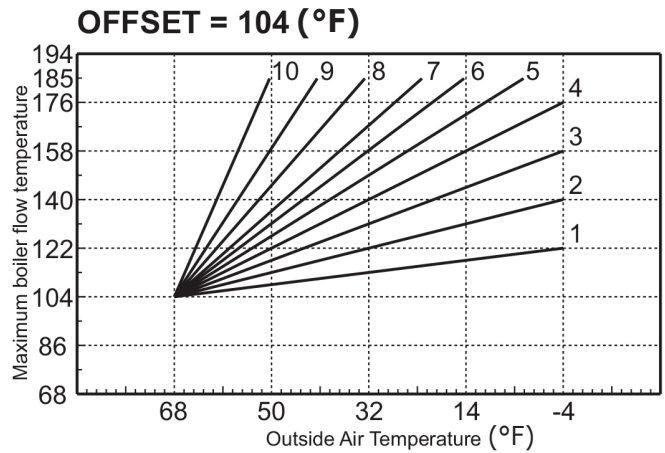
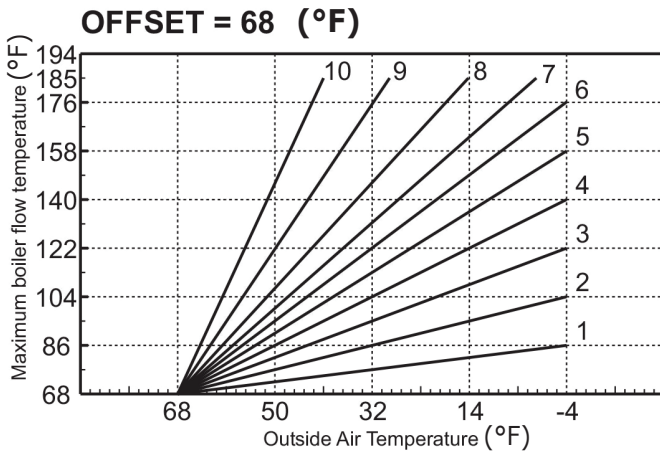
10 - OPERATING INSTRUCTIONS

Press the button (see item 6 on the control panel display) for 5 seconds again to exit parallel curve adjustment mode. If the room temperature is lower than the required value, it is advisable to set a higher order curve and vice versa. Proceed by increasing or decreasing in steps of one and check the result in the room.

Outside Temperature Compensation Curves (OTC)



- Compensation curves

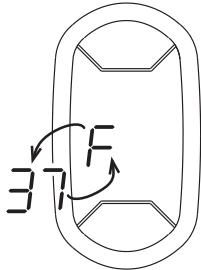


Heating Temperature Adjustment	Adjustment can be made from the boiler control panel.
Domestic Hot Water Temperature	Adjustment can be made from the boiler control panel.
Summer/Winter Switchover	Summer mode has priority over a possible heating demand.
Eco/Comfort Selection	On disabling DHW from the menu, the boiler selects the Economy mode. In this condition, the button 7 from control panel display is disabled.
	On enabling DHW from menu, the boiler selects the Comfort mode. In this condition it is possible to select on of the two modes with the button 7 from control panel display.
Sliding Temperature	Boiler card manages Sliding Temperature adjustment: the boiler card Sliding Temperature has priority.

Water system pressure adjustment

The filling pressure with system cold, read on the boiler water gauge, must be approximately 11 psi.
If the system pressure falls to values below minimum, the boiler control will activate fault F37.

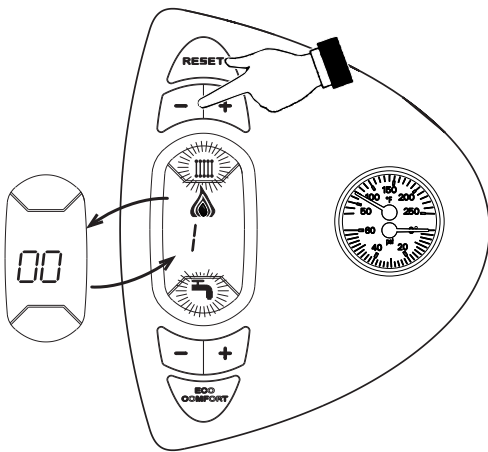
Low system pressure fault



Once the system pressure is restored, the boiler will activate the 120-second air venting cycle indicated on the display by FH.

TEST mode (heating power = 100%)

Press the heating buttons simultaneously for 5 seconds to turn on TEST mode. The boiler will ignite at the maximum heating power set as described in the following paragraph. On the display, the heating and tap water symbols will blink; alongside, it will show the heating power and the ignition power respectively.



To turn off TEST mode, repeat the sequence for turning it on.

11 - GENERAL MAINTENANCE AND CLEANING

11.1 Beginning of Each Heating Season

- Check boiler area is free from combustible materials, gasoline, and other flammable vapors and liquids.
- Visually inspect combustion air and vent piping for proper operation. Check for and remove any obstruction to flow of combustion air or vent gases. Immediately repair or replace pipe showing deterioration or leakage. Reassemble per instructions in section 6. Ensure proper reassembly and resealing of system.
- Test safety relief valve for proper operation. Refer to valve manufacturer's instructions packaged with relief valve.
- Examine flue passages in heat exchanger, burner and cleaning (if necessary) by following instructions in "Annual Inspection and Cleaning of Boiler Components" in this section.
- Circulator pump and combustion air blower motor furnished with boiler are permanently lubricated from factory and require no further lubrication. Lubricate field sourced pumps and/or motors according to pump and/or motor manufacturer's instruction.
- Check following components are operating properly and are free of blockage or obstruction:
 - Air vent;
 - Check air inlet for blockage and clean as required;
 - Check boiler for any sign of leaks.
 - Check heating system expansion tank.
 - Check the air pressure tubing

11.2 Annual Shut Down Procedure

- Follow instructions "To Turn Off Gas To Appliance" unless boiler is also used to supply domestic hot water. See section 10, page 27.
- Drain system completely if system does not have antifreeze when heating system is to remain out of service during freezing weather.

WARNING

Following service procedures must be performed by qualified service agent. Boiler owner shall not attempt these steps. Failure to do so could result in death or serious injury.


11.3 Annual Inspection and Cleaning of Boiler Components

- Burner and heat exchanger inspection and cleaning.
 - Remove any remaining loosened sediment using shop vacuum with snorkel attachment.

12 - RATINGS AND CAPACITIES

Data	Unit	CHB100	CHB130	CHB150
Boiler category		Category I-III	Category I-III	Category I-III
Type of Gas		Natural gas	Natural gas	Natural gas
Maximum Input 0-2000 Ft	Btu/hr	100000	130000	150000
	kW	29.3	38.2	44.0
Maximum Input 2000-4500 Ft	Btu/hr	90000	117000	135000
	kW	26.4	34.3	39.6
Minimum Input 0-2000 Ft	Btu/hr	31500	43500	50000
	kW	9.3	12.8	14.7
Minimum Input 2000-4500 Ft	Btu/hr	28300	39000	45000
	kW	8.3	11.5	13.2
Max Inlet Gas Pressure	"wc	10.5	10.5	10.5
	kPa	2.61	2.61	2.61
Min Inlet Gas Pressure	"wc	3.5	3.5	3.5
	kPa	0.87	0.87	0.87
Manifold gas pressure Max input	"wc	5.22	4.82	5.22
	kPa	1.3	1.2	1.3
Manifold gas pressure Min input	"wc	0.59	0.59	0.6
	kPa	0.15	0.15	0.15
D.O.E Heating Capacity	Btu/hr	85000	110000	127000
	kW	24.9	32.2	37.2
Net AHRI Output	Btu/hr	73000	96000	110000
	kW	21.4	28.1	32.2
Electrical input	A	120V/60Hz/<12A	120V/60Hz/<12A	120V/60Hz/<12A
Orifice Size 0-4500 ft	mm	1.35	1.35	1.35
MAWP WATER	PSI	43.5	43.5	43.5
MAX. WATER TEMP.	°F	195°F	195°F	230°F
Type of Gas		LP	LP	LP
Maximum Input LP 0-2000 Ft	Btu/hr	100000	130000	150000
	kW	29.3	38.2	44.0
Minimum Input LP 0-2000 Ft	Btu/hr	36000	49000	55500
	kW	10.6	14.4	16.3
Maximum Input LP 2000-4500 Ft	Btu/hr	90000	117000	135000
	kW	26.4	34.3	39.6
Minimum Input LP 2000-4500 Ft	Btu/hr	36000	49000	55500
	kW	10.6	14.4	16.3

Table 8 - Sea Level Ratings

 SEA LEVEL RATINGS NATURAL GAS					
Size	Boiler Input Rate (MBH) ⁽¹⁾		Heating Capacity (MBH) ⁽¹⁾⁽²⁾	Net AHRI Rating, Water (MBH) ⁽¹⁾⁽³⁾	AFUE ⁽²⁾
	Maximum	Minimum			
CHB-100	100	31.5	85	73.0	85
CHB-130	130	43.5	110	96.0	85
CHB-150	150	50.0	130	110.0	85

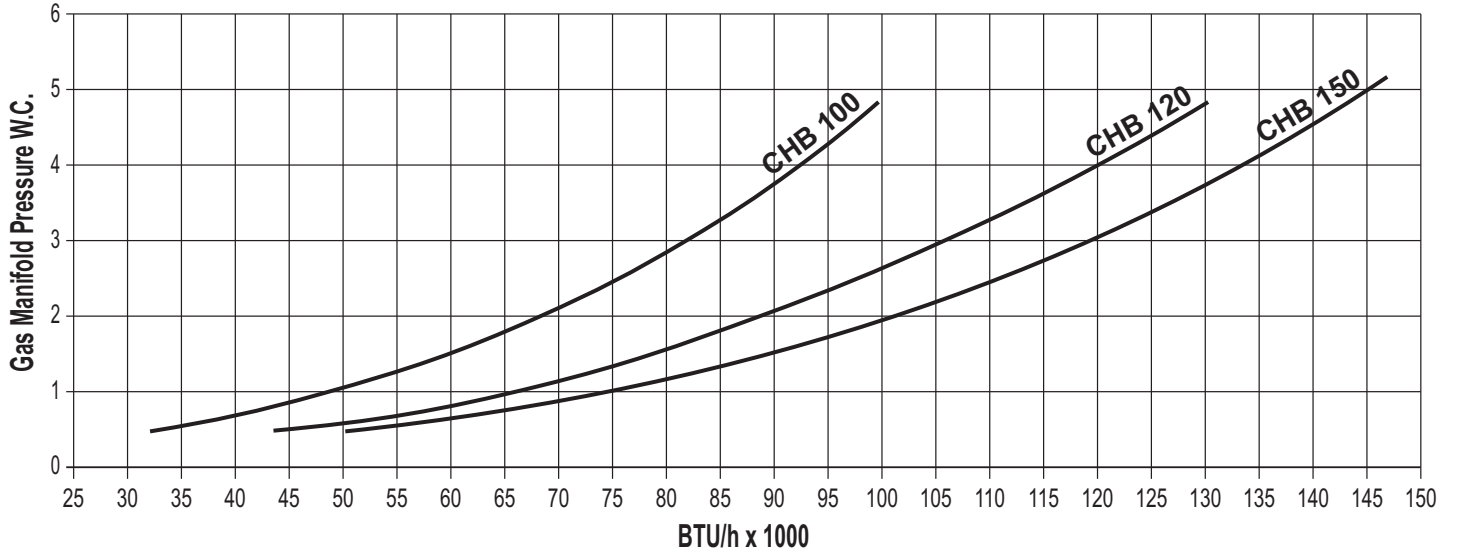
⁽¹⁾ 1000 Btu/hr (British Thermal Units Per Hour)
⁽²⁾ Heating Capacity and AFUE (Annual Fuel Utilization Efficiency) are based on DOE (Department of Energy) test procedures.
⁽³⁾ Net AHRI Ratings based on piping and pickup allowance of 1.15. Contact Technical Support before selecting boiler for installations having unusual piping and pickup requirements, such as intermittent system operation, extensive piping systems, etc.

12.1 Ratings and Capacities

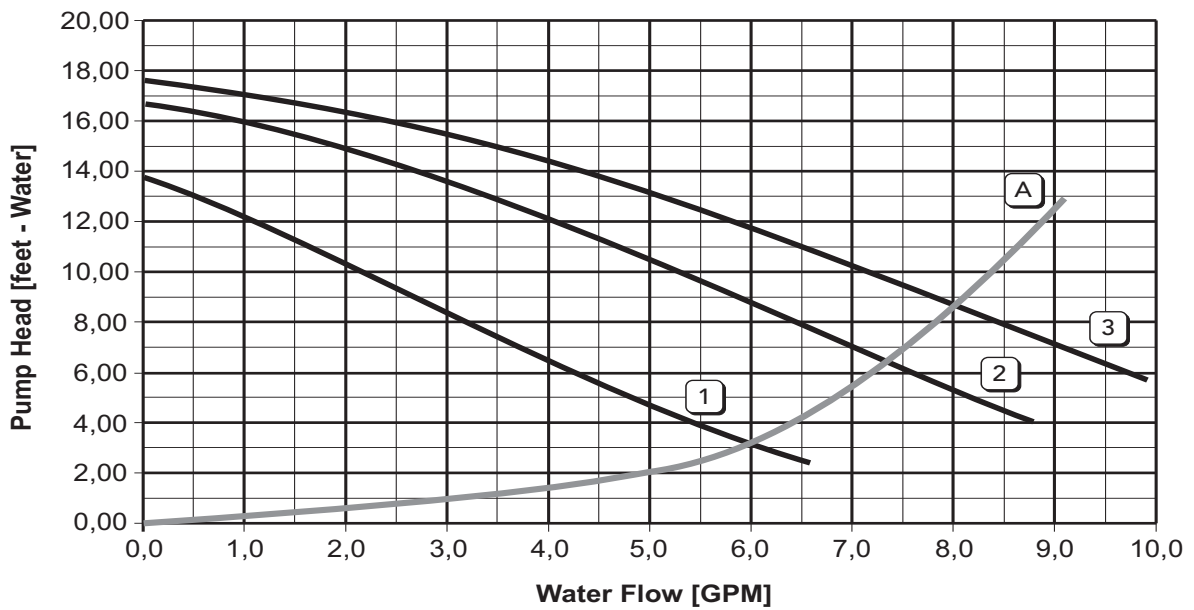
- Constructed and hydrostatically tested for maximum allowable working pressure of 43.5 psig (pounds per square inch gauge) 43.5 psig (.30MPa) in accordance with ASME Boiler and Pressure Vessel Code, Section IV, Rules for Construction of Heating Boilers.
- USA - Input rates are derated 4% for each 1000 ft (300m) above sea level, beyond 2000 ft (600m).
- CANADA - Ratings in table 8 used for elevations up to 2000 ft (600m) above sea level
 - For elevations between 2000 ft (600m) and 4500 ft (1350m), derate 10% .
 - Contact Provincial authority having jurisdiction for installations above 4500 feet (1350 m) above sea level.

Diagrams

Pressure - power diagrams



Losses of load / head of circulators



A Boiler losses of head
 1 - 2 - 3 Circulator speed

13 - TROUBLE SHOOTING

Diagnosics

The boiler is equipped with an advanced self-diagnosis system. In case of a boiler fault, the display will flash indicating the fault code.

There are faults that cause permanent shutdown (marked with the letter "A"): to restore operation just press the RESET button for 1 second or RESET; if the boiler fails to start, it is necessary to first eliminate the fault.

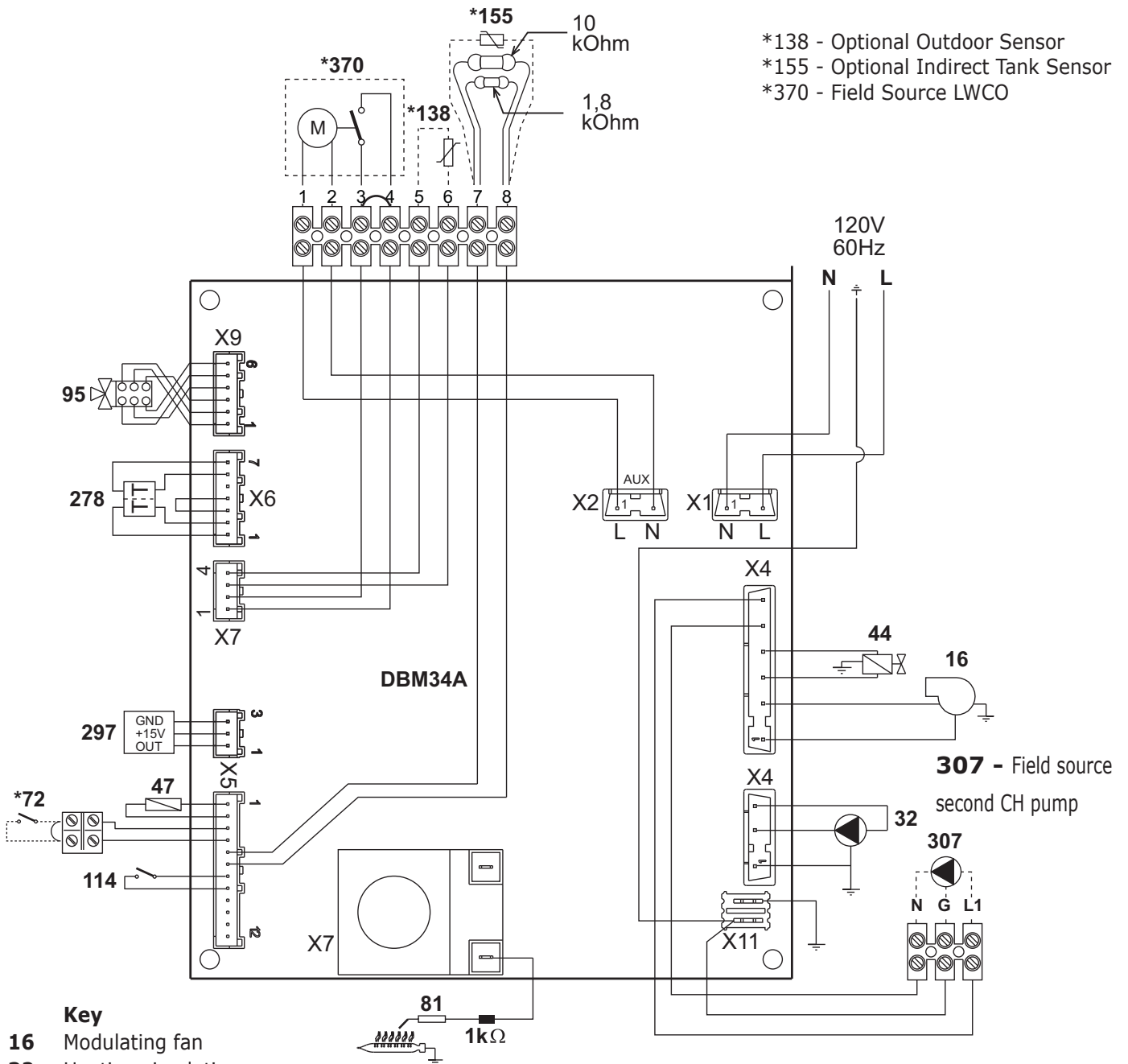
Other faults (marked with the letter "F") cause temporary shutdowns that are automatically reset as soon as the value returns within the boiler's normal working range.

Table of faults

- List of faults

Fault code	Fault	Possible cause	Cure
A01	No burner ignition	No gas	Check the regular gas flow to the boiler and that the air has been eliminated from the pipes
		Ignition/detection electrode fault	Check the wiring of the electrode and that it is correctly positioned and free of any deposits
		Faulty gas valve	Check the gas valve and replace it is necessary
		Ignition power too low	Adjust the ignition power
A02	Flame present signal with burner off	Electrode fault	Check the ionisation electrode wiring
		Card fault	Check the card
A03	Overtemperature protection activation	Heating sensor damaged	Check correct heating sensor positioning and operation
		No water circulation in the system	Check the circulating pump
		Air in the system	Vent the system
F05	The air pressure transducer does not receive a sufficient minimum value within 25 seconds	Incorrect air pressure transducer wiring	Check the wiring
		Flue not correctly sized or obstructed	Check the length of flue and that it is clean
A06	No flame after the ignition stage	Low pressure in the gas system	Check the gas pressure
		Burner minimum pressure setting	Check the pressures
F10	Delivery sensor 1 fault	Sensor damaged	Check the wiring or replace the sensor
		Wiring shorted	
		Wiring disconnected	
F11	DHW sensor fault	Sensor damaged	Check the wiring or replace the sensor
		Wiring shorted	
		Wiring disconnected	
F14	Delivery sensor 2 fault	Sensor damaged	Check the wiring or replace the sensor
		Wiring shorted	
		Wiring disconnected	
A15	Air signal protection activation	Fault F05 generated 5 times in the last 15 minutes	See fault F05
F34	Supply voltage under 85V.	Electric mains trouble	Check the electrical system
F35	Faulty mains frequency	Electric mains trouble	Check the electrical system
F37	Incorrect system water pressure	Pressure too low	Fill the system
		Sensor damaged	Check the sensor
F39	External probe fault	Probe damaged or wiring short circuit	Check the wiring or replace the sensor
		Probe disconnected after activating the sliding temperature	Reconnect the external probe or disable the sliding temperature
A41	Sensor positioning	Delivery sensor detached from the pipe	Check correct heating sensor positioning and operation during CH mode
F42	Heating sensor fault	Sensor damaged	Replace the sensor
F43	Exchanger protection activation.	No system H ₂ O circulation	Check the circulating pump
		Air in the system	Vent the system
A44	Sensor positioning	Delivery sensor detached from the pipe	Check correct heating sensor positioning and operation during DHW mode
A48	Air signal protection activation	Fault F05 for 150 seconds	See Fault F05
F50	Modulation regulator fault	Wiring disconnected	Check the wiring
F51	Low water cutoff warning	Pressure too low	Fill the system
		Low water cutoff damaged	Check the contact

WIRING DIAGRAM



- *138 - Optional Outdoor Sensor
- *155 - Optional Indirect Tank Sensor
- *370 - Field Source LWCO

Key

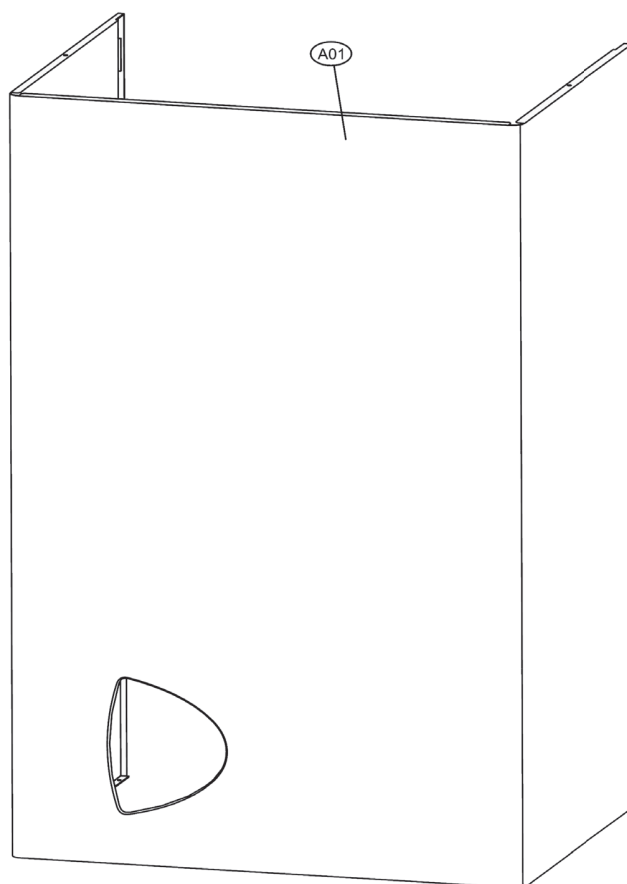
- 16** Modulating fan
- 32** Heating circulating pump
- 42** DHW temperature sensor (see kit)
- 44** Gas valve
- 47** Modulation Regulator (24V)
- *72** Room thermostat (field sourced)
- 81** Ignition/detection electrode
- 114** Water pressure switch
- 138** Optional Outdoor Sensor (field sourced)
- *155** Optional Indirect Tank Sensor (See parts list)
- 278** Double sensor (Safety + Heating)
- 297** Air pressure transducer
- 307** Heating system second Circulation pump (field sourced)
- *370** Low Water Cutoff (LWCO) - (field sourced)

NOTICE

*Important:

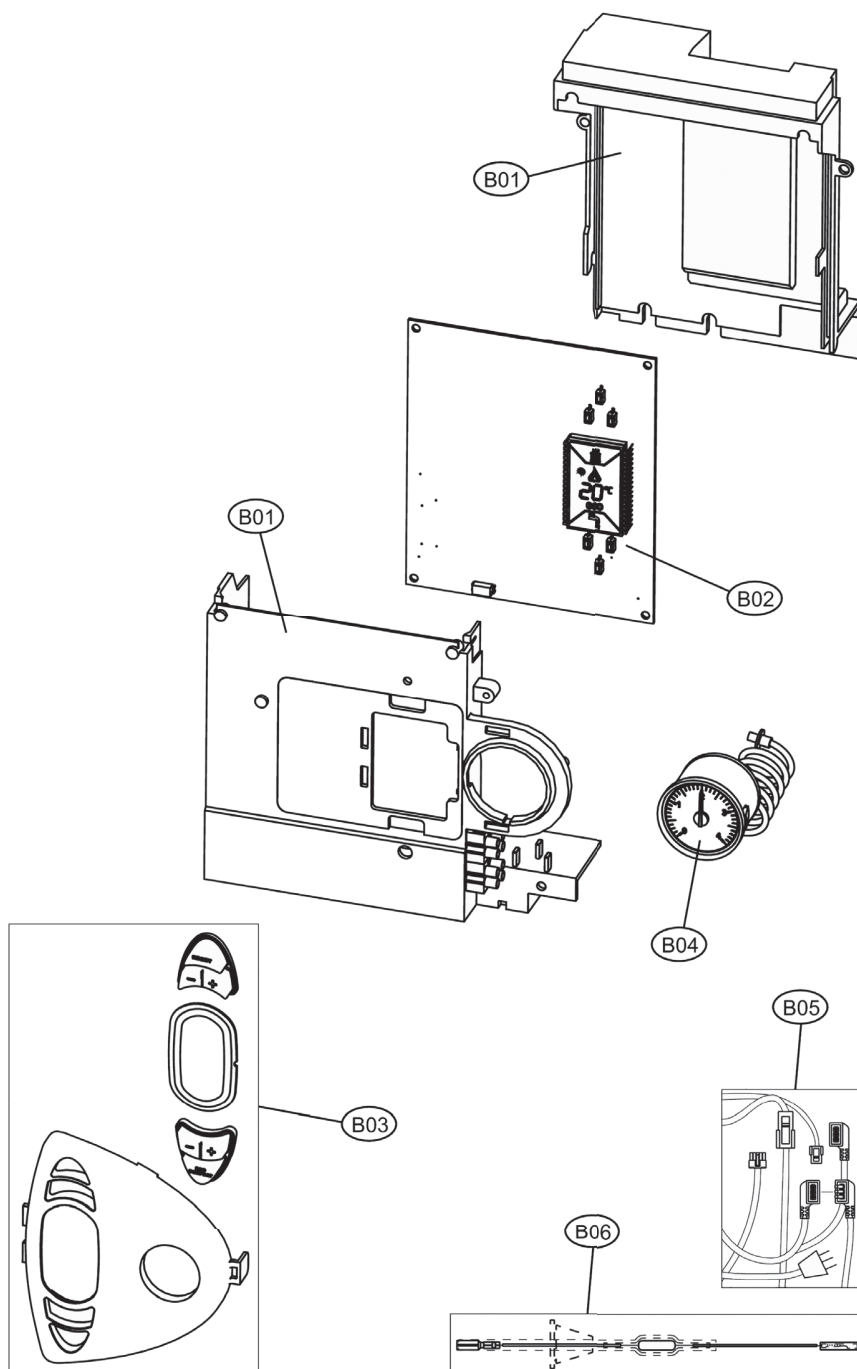
- Before connecting the room thermostat, remove jumper on terminal block. (Key 72)
- Before connecting optional Indirect Tank Sensor, remove two resistors. (Key 155)
- Before connecting the Low Water Cutoff, remove the jumper on terminal block. (Key 370)

REPAIR PARTS LIST - CHB



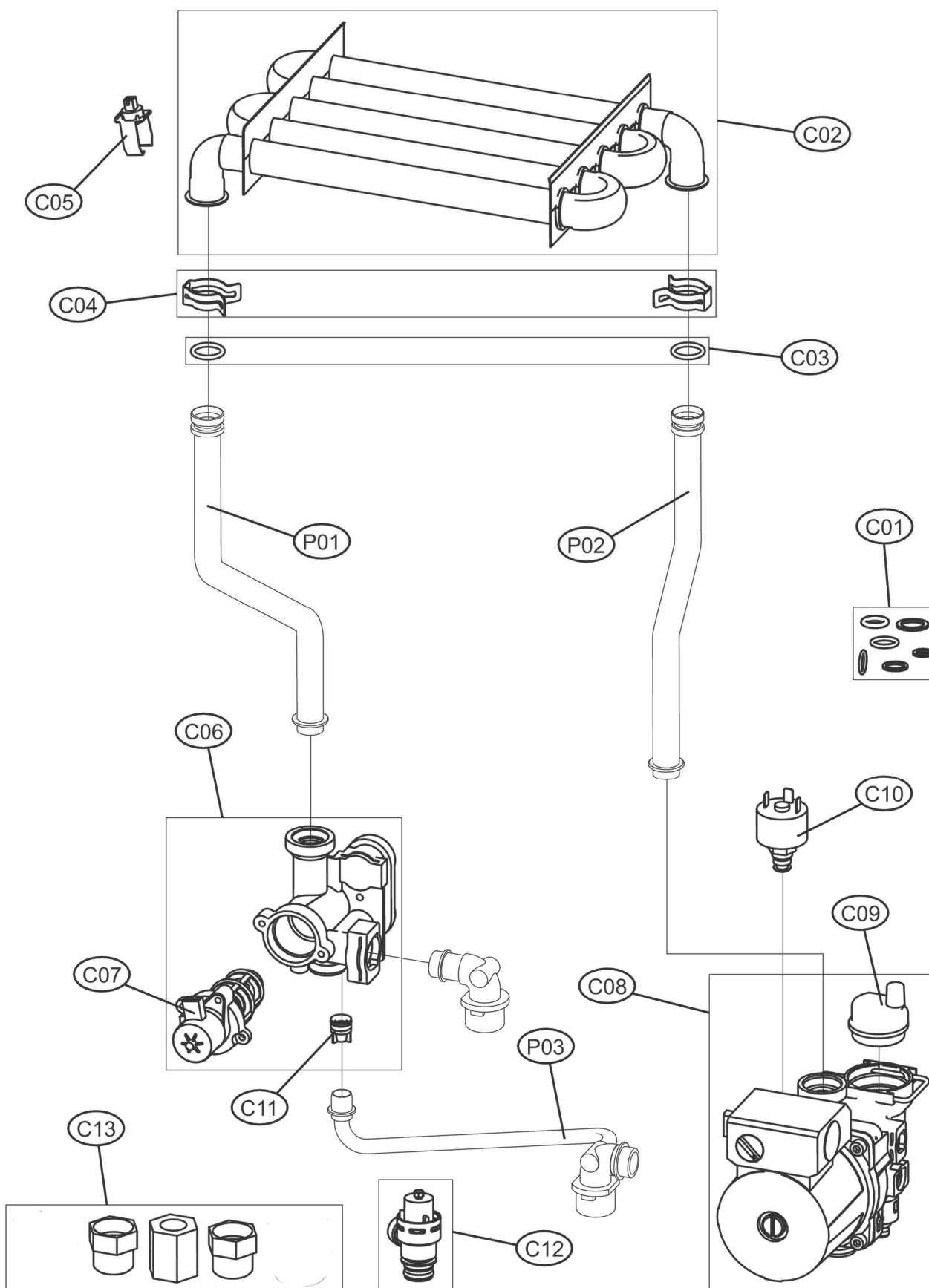
KEY	Part Number	Description	Model
A01	FE3980B830	CASING "CTR"	CHB-100/130
A01	FE3980B990	CASING "CTR"	CHB-150

REPAIR PARTS LIST



KEY	Part Number	Description
B01	FE3980C200	KIT CONTROL BOX
B02	FE3980B851	KIT CONTROL BOARD DBM34A
B03	FE3980C210	KIT FRONT COVER "CTR"
B04	FE3980B840	KIT PRESS. TEMP. GAUGE
B05	FE3980B861	KIT WIRING
B06	FE3980C220	KIT MONO CABLE EL.

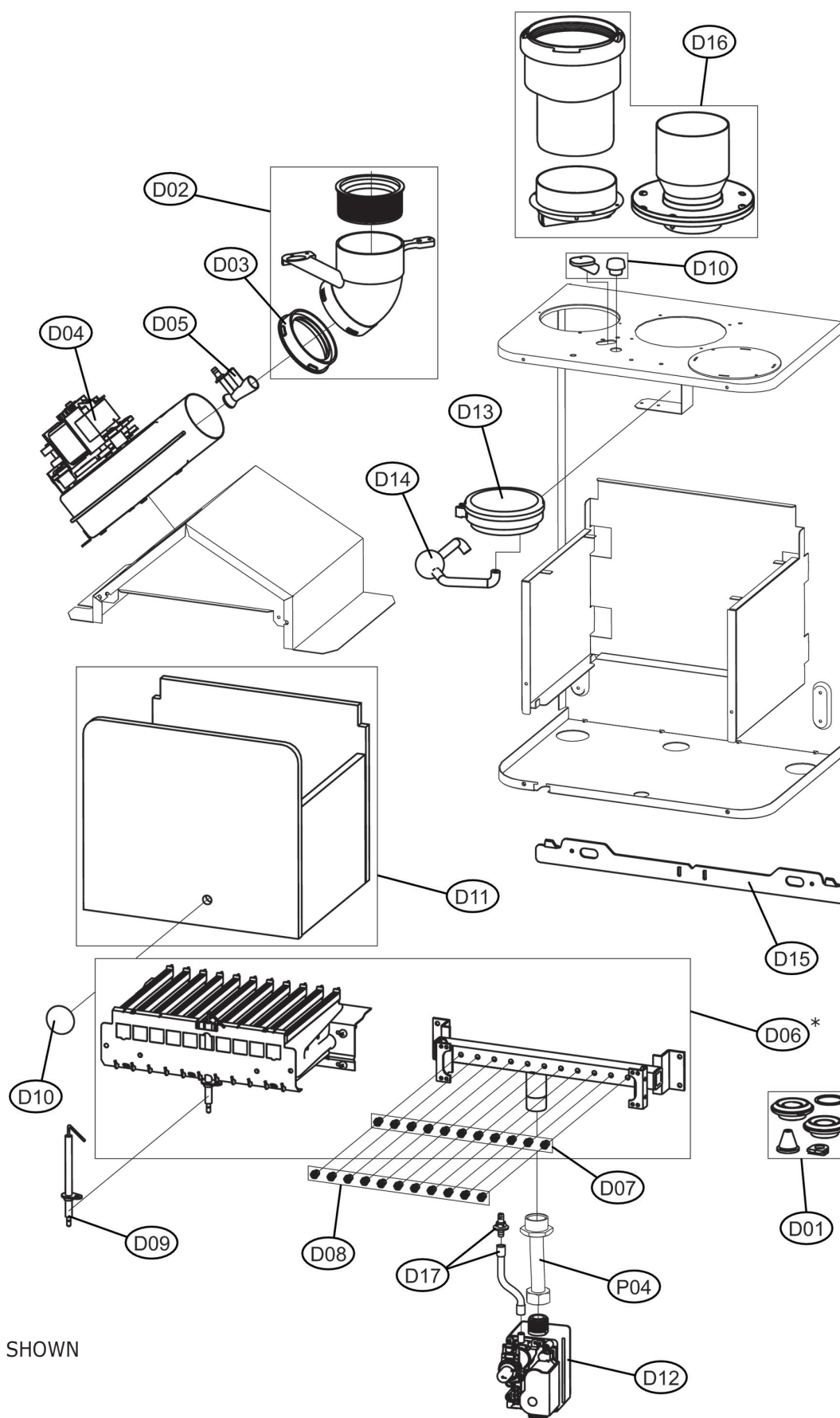
REPAIR PARTS LIST



REPAIR PARTS LIST - CHB

KEY	Description	Part Number		
		CHB 100	CHB 130	CHB 150
C01	KIT GASKETS SET	FE3980B870	FE3980B870	FE3980C000
C02	MONO HEAT EXCHANGER	FE3980C230	FE3980B880	FE3980C030
C03	KIT GASKET	FE3980C010	FE3980C010	FE3980C010
C04	KIT CLIP D18	FE3980C020	FE3980C020	FE3980C020
C05	TEMP SENSOR DP	FE3980G050	FE3980G050	FE3980G050
C06	KIT 3-WAY VALVE	FE3980C050	FE3980C050	FE3980C050
C07	KIT MOTOR 3-WAY VALVE TP	FE3980C060	FE3980C060	FE3980C060
C08	KIT PUMP FX3-FP	FE3980B890	FE3980B890	FE3980B890
C09	KIT AIR SEPARATOR	FE3980B900	FE3980B900	FE3980B900
C10	KIT WATER PRESSURE SWITCH	FE3980C070	FE3980C070	FE3980C070
C11	KIT X10 N/R BYPASS VALVE	FE3980C080	FE3980C080	FE3980C080
C12	KIT 3/4" SAFETY VALVE	FE3980B910	FE3980B910	FE3980B910
C13	KIT NPT ADAPTERS	FE3980B920	FE3980B920	FE3980B920
P01	CH FLOW PIPE	FE34226300	FE34226280	FE34226290
P02	CH RETURN PIPE	FE34225470	FE34202130	FE34202290
P03	BYPASS PIPE	FE3841B170	FE3841B170	FE3841B170

REPAIR PARTS LIST



*CHB- 130 SHOWN

REPAIR PARTS LIST - CHB

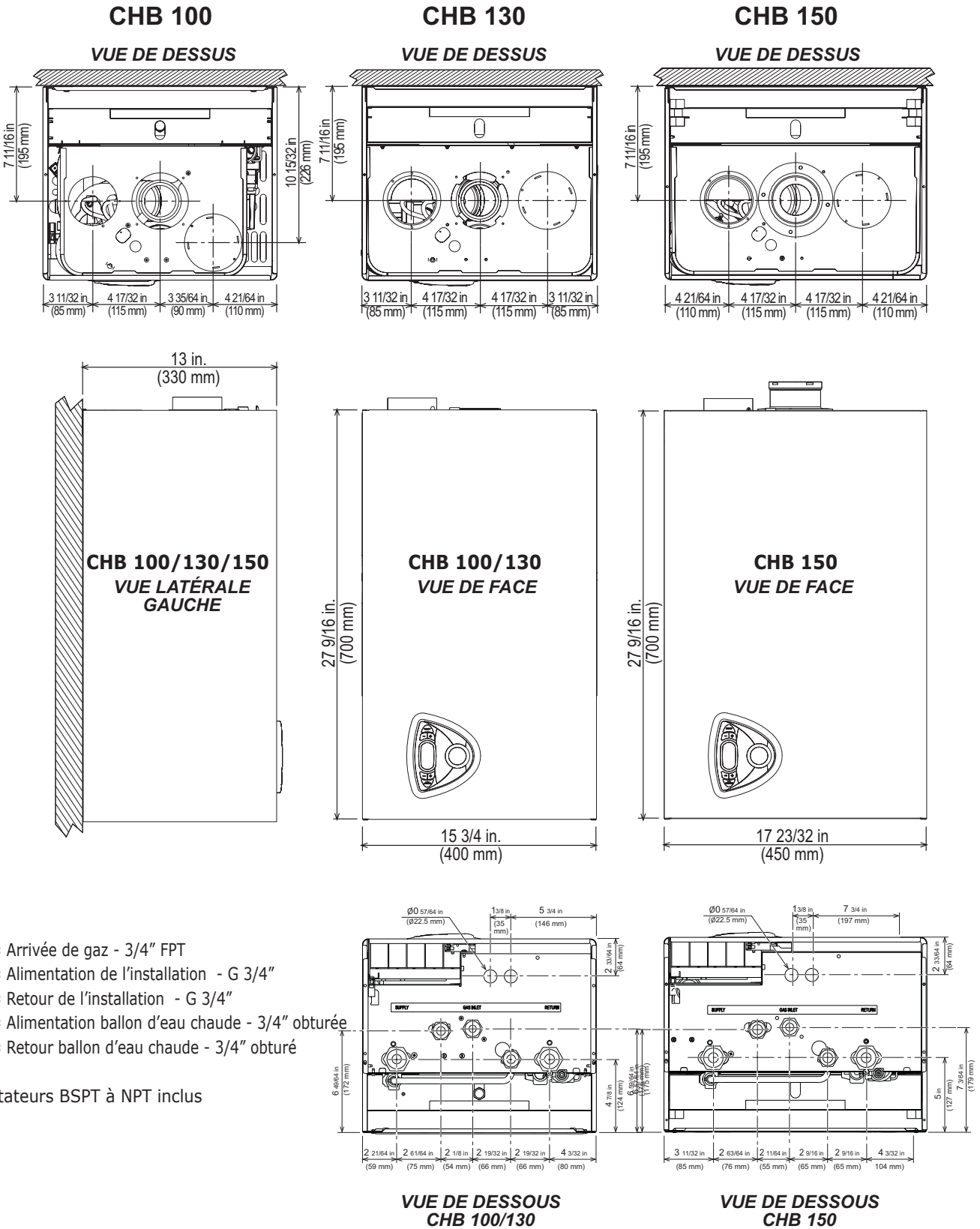
KEY	Description	Part Number		
		CHB 100	CHB 130	CHB 150
D01	KIT GASKETS SET	FE3980B930	FE3980B930	FE3980B930
D02	KIT FLUE GASES OUTLET BEND	FE3980C160	FE3980C160	FE3980C160
D03	FAN GASKET	FE3980C100	FE3980C100	FE3980C100
D04	KIT FAN	FE3980C250	FE3980B940	FE3980B940
D05	PRESSURE TEST POINT "VENTURI"	FE3980C090	FE3980C090	FE3980C090
*D06	BURNER AND MANIFOLD (NG) WITH ORIFICES	FE3980C260	FE3980C270	FE3980C130
*D07	KIT ORIFICE 1.35mm NG	FE3980C280	FE3980C290	FE3980C140
*D08	LP GAS CONVERSION 0.85mm	FE3980C300	FE3980B950	FE3980C150
D09	IGNITION ELECTRODE	FE3980C120	FE3980C120	FE3980C120
D10	KIT PLUGS CASING	FE3980C180	FE3980C180	FE3980C180
D11	KIT COMBUSTION CHAMBER INSULATION	FE3980C310	FE3980C320	FE3980C110
D12	GAS VALVE VGU 54S	FE3980B960	FE3980B960	FE3980B960
D13	PRESSURE TRANSDUCER	FE3980C170	FE3980C170	FE3980C170
D14	COUPLING CONDENSATION	FE3980C190	FE3980C190	FE3980C190
D15	WALL MOUNT BRACKET	FE3980B970	FE3980B970	FE3980B970
D16	KIT VENT. ADAPTERS FM	FE3980B980	FE3980B980	FE3980B980
D17	KIT AIR PRESSURE TEST POINT US (35101150)	FE3980D800	FE3980D800	FE3980D800
P04	GAS PIPE	FE3841L460	FE3841L370	FE3841L410

* CHB 100 Kit contains 11 items each
 CHB 130 Kit contains 15 items each
 CHB 150 Kit contains 17 items each

Optional Kits	
Description	Part Number
INDIRECT TANK SENSOR (DHW) KIT	550002958
OUTDOOR AIR SENSOR KIT	FE013018X0

DIMENSIONS

Figure 1 - Dimensions



- 7** = Arrivée de gaz - 3/4" FPT
- 10** = Alimentation de l'installation - G 3/4"
- 11** = Retour de l'installation - G 3/4"
- *209** = Alimentation ballon d'eau chaude - 3/4" obturée
- *210** = Retour ballon d'eau chaude - 3/4" obturée

* Adaptateurs BSPT à NPT inclus

1 - INTRODUCTION	47
2 - INFORMATIONS IMPORTANTES SUR LA SÉCURITÉ.....	48
3 - VUE D'ENSEMBLE ET PRINCIPAUX ÉLÉMENTS	49
4 - EMPLACEMENT DE LA CHAUDIÈRE	52
5 - TUYAUTERIE HYDRONIQUE	54
6 - TUYAUTERIE DE L'AIR DE COMBUSTION ET D'ÉVENT - CATÉGORIE I (CHEMINÉE)	59
6 - TUYAUTERIE D'AIR DE COMBUSTION ET DE VENTILATION - CATÉGORIE I (CONDUIT DE CHEMINÉE)	60
6 - TUYAUTERIE D'AIR DE COMBUSTION ET DE VENTILATION DIRECTE DE CATÉGORIE III	61
7- TUYAUTERIE D'ALIMENTATION DE GAZ.....	66
8 - BRANCHEMENTS ÉLECTRIQUES	67
9 - PROCÉDURE DE DÉMARRAGE	68
10 - INSTRUCTIONS D'UTILISATION	70
11 - ENTRETIEN GÉNÉRAL ET NETTOYAGE	76
12 - RENDEMENTS ET CAPACITÉS.....	77
13 - PANNES.....	80
SCHÉMA DE CÂBLAGE	81
LISTE DES PIÈCES DÉTACHÉES - CHB	82

1.1 Destination d'usage

- Chaudière pour la production d'eau chaude.
- Installation intérieure.
- Installation dans un placard ou une alcôve.
- Ventilation de catégorie I ou III.
- Pour une utilisation avec du gaz naturel, un kit de conversion de champ pour le LP est disponible.
- Un chauffage indirect est admissible.
- La chaudière est conçue pour être raccordée à un ballon extérieur pour la production d'eau chaude (en option). Toutes les fonctions pour la production d'eau chaude sanitaire sont actives uniquement si le capteur de ballon d'eau optionnel est raccordé.

1.2 L'appareil NE DOIT PAS :

- Chauffer directement de l'eau potable.
- Chauffer de l'eau avec des produits chimiques pour installation de chauffage non hydronique (par exemple, eau de piscine).
- Dépasser la température nominale de système de 85°C (185°F).
- Dépasser 43,5 PSIG

1.3 Caractéristiques opérationnelles

- Modulation : 3-1 tour en bas.
- Limite intégrale double.

Informations et spécifications publiées dans ce manuel en vigueur au moment de son impression. ECR International, Inc. se réserve le droit de mettre fin, de modifier les spécifications ou la conception de l'installation à tout moment, sans préavis et sans la moindre obligation.

2 - INFORMATIONS IMPORTANTES SUR LA SÉCURITÉ

2.1 Généralités

L'installation de la chaudière doit être effectuée par un installateur compétent. Consultez le glossaire pour plus d'informations.

AVERTISSEMENT

Risque d'incendie, d'explosion, d'asphyxie et d'électrocution. Une installation incorrecte peut causer des lésions corporelles et la mort. Lire le présent manuel et se familiariser avec toutes les spécifications avant de procéder à l'installation.

2.2 Se familiariser avec les symboles identifiant des risques potentiels.



Ce symbole est le symbole d'alerte de sécurité. Il signale des risques potentiels de lésions corporelles. Respectez tous les messages de sécurité suivant ce symbole pour éviter tout risque de lésion ou de mort.

DANGER

Indique une situation de danger qui, s'il elle n'est pas évitée, ENTRAÎNERA la mort ou de graves lésions.

AVERTISSEMENT

Indique une situation de danger qui, s'il elle n'est pas évitée, pourrait causer de graves lésions ou la mort.

ATTENTION

Indique une situation de danger qui, s'il elle n'est pas évitée, pourrait causer des lésions mineures ou modérées.

AVIS

Utilisé pour signaler des pratiques n'entraînant pas des lésions corporelles.

2.3 L'installation doit être conforme aux critères établis par l'organisme compétent ou, en l'absence de tels critères :

- États-Unis
 - Code national du gaz combustible, ANSI Z223.1/NFPA 54.
 - Code National Électrique, NFPA 70.
- Canada
 - Code d'installation du gaz naturel et du propane, CAN/CSA B149.1.
 - Code Électrique Canadien, 1ère partie, normes de sécurité relatives aux installations électriques, CSA C22.1

2.4 Exigences pour le Commonwealth of Massachusetts :

L'installation de la chaudière doit être conforme au code du Commonwealth of Massachusetts 248 CMR qui comprend, sans s'y limiter :

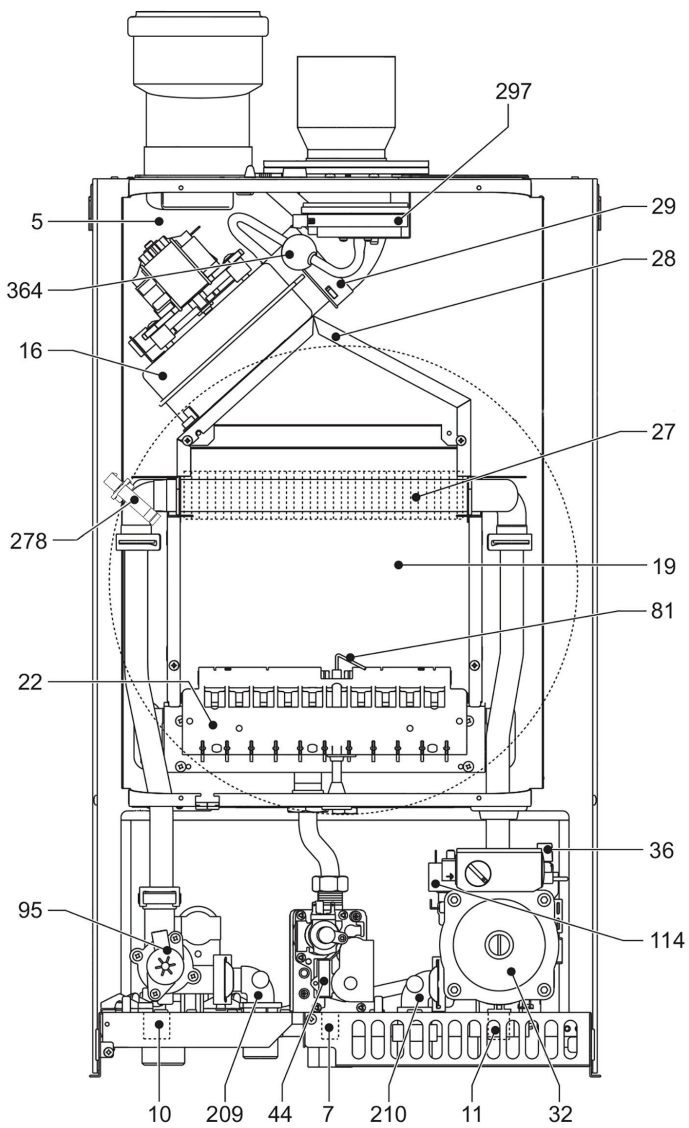
- Installation par un plombier ou un installateur agréé.

2.5 Exigences en matière de CSD1

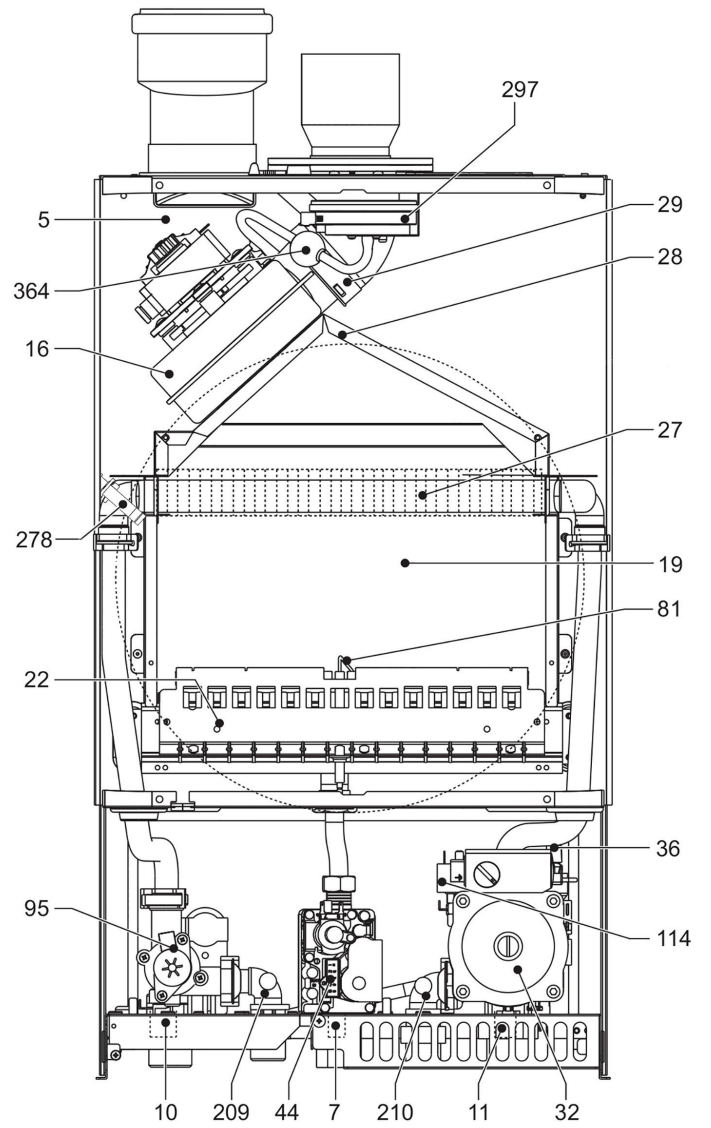
Si l'organisme compétent le requiert, l'installation doit répondre à la norme pour les Contrôles et Dispositifs de Sûreté pour chaudières à allumage automatique, ANSI/ASME CSD1.

3 - VUE D'ENSEMBLE ET PRINCIPAUX ÉLÉMENTS

Figure 2 Liste des éléments

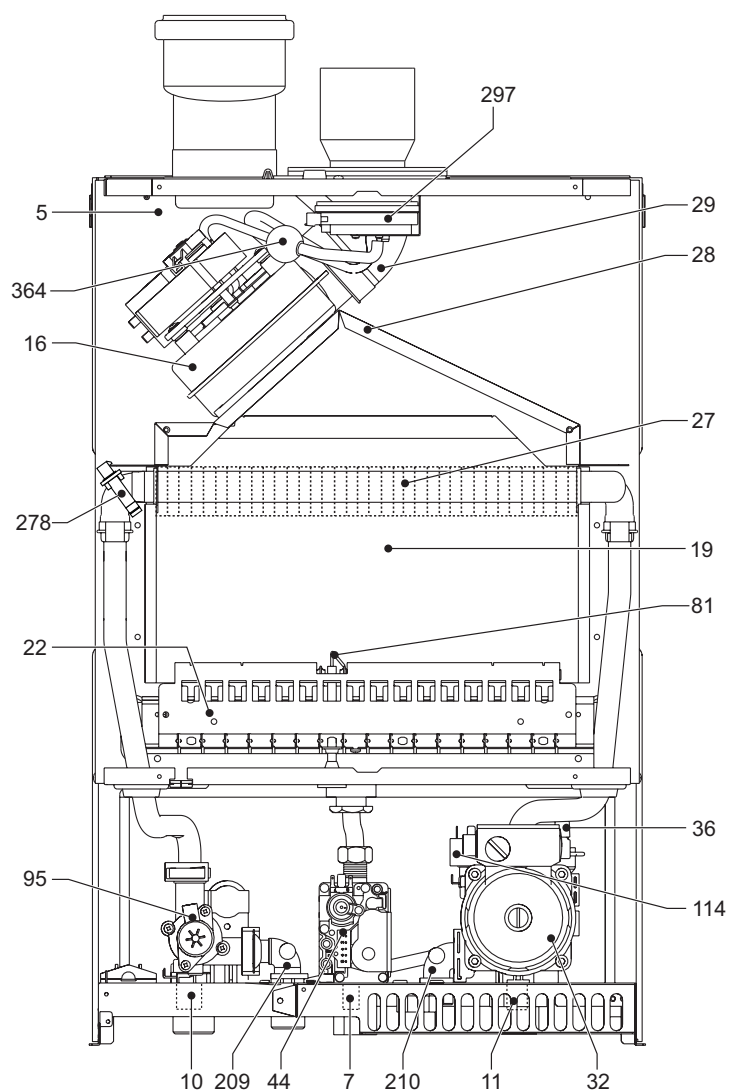


CHB 100



CHB 120

3 - VUE D'ENSEMBLE ET PRINCIPAUX ÉLÉMENTS



CHB 150

- | | | |
|---------------------------------------|--|---|
| 5 Chambre hermétique | 27 Échangeur de Chaleur en cuivre | 95 Vanne directionnelle à 3 Voies |
| 7 Arrivée de gaz | 28 Collecteur d'échappement | 114 Commutateur DE Pression D'eau |
| 10 Installation d'alimentation | 29 Sortie Collecteur D'échappement | 209 Alimentation ballon d'eau chaude |
| 11 Retour installation | 32 Pompe de circulation de chauffage | 210 Retour ballon d'eau chaude |
| 16 Ventilateur modulable | 36 Évent D'Air Automatique | 278 Double Capteur - NTC limite supérieure |
| 19 Chambre de Combustion | 44 Vanne À gaz | 297 Commutateur DE pression D'air |
| 22 Brûleur | 81 Électrode d'allumage et DE détection | 364 Raccord de condensation |

		LBS (livre)	Kg
Poids unitaire	CHB 100	61	27.5
	CHB 130	65	29.5
	CHB 150	69	31.5
Poids à l'expédition	CHB 100	65	29.5
	CHB 130	69	31.5
	CHB 150	73	33.0

⚠ AVERTISSEMENT

Risque d'incendie, d'explosion, d'asphyxie et d'électrocution. Coupez l'alimentation électrique, de gaz au niveau de la vanne d'arrêt avant de tenter de déposer la jaquette de la chaudière. Le non-respect de ces instructions peut causer de graves lésions ou la mort.

Déposer la jaquette de la chaudière

1. Desserrez les vis (A).
2. Faites pivoter la jaquette vers le haut. Voir la figure 3.
3. Soulevez la jaquette et éloignez-la de la chaudière. Voir la figure 4.

Figure 3 - Dépose de la jaquette - position des vis

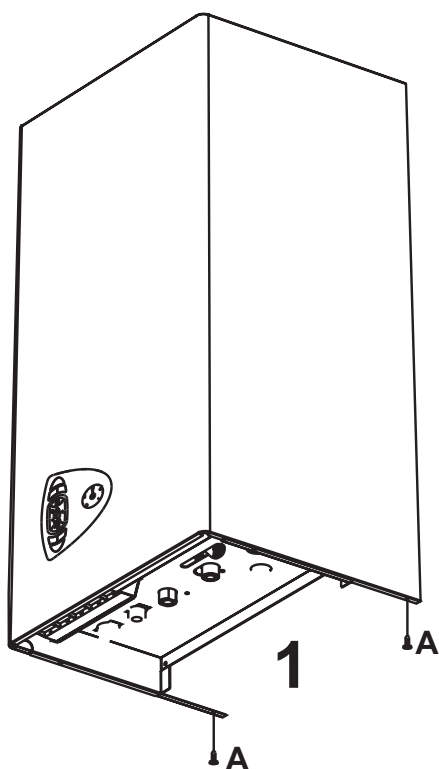
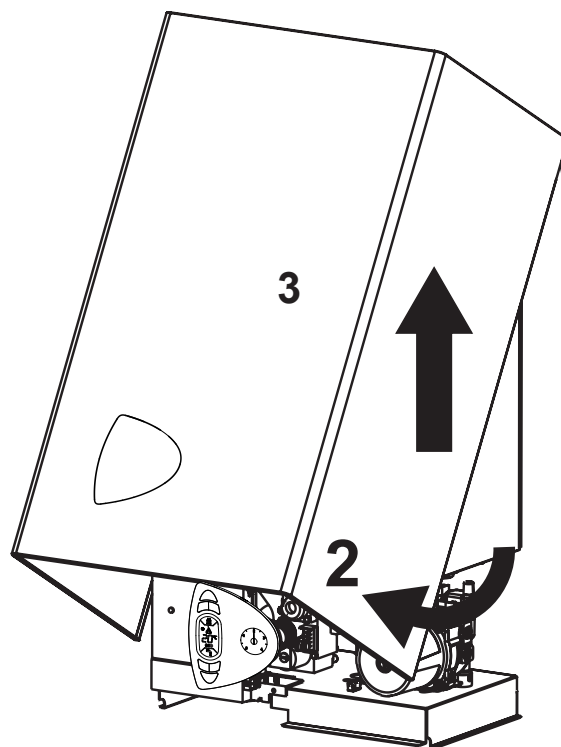


Figure 4 - Faire pivoter la jaquette et la soulever pour la déposer



4 - EMBLACEMENT DE LA CHAUDIÈRE

4.1 Remarques sur l'emplacement de la chaudière

- Température ambiante toujours supérieure à 0°C (32°F) pour éviter de geler.
- Chaudière homologuée pour l'installation dans des placards.
- Protection des composants du système d'allumage contre l'eau (écoulement, jets d'eau, pluie, etc.) pendant le fonctionnement et l'entretien (remplacement du circulateur, remplacement de la commande, etc.).
- Montage mural uniquement.
- Accès à l'extérieur pour respecter les longueurs de tuyau minimales et maximales pour l'air de combustion et la tuyauterie d'évent. Voir la section 6.
- Purge d'eau (ou de solution d'eau - antigel) pendant le fonctionnement de la chaudière ou du système d'évacuation de la soupape de sécurité. Voir la section 5.
- Accès aux conduites d'eau de l'installation, à l'alimentation de gaz et au réseau électrique. Voir les sections 5, 7 et 8.
- Distances par rapport aux matériaux combustibles et aux dégagements de service. Voir le tableau 1 et la figure 5.
- La chaudière ne doit pas être installée sur un tapis.

Figure 5 - Dégagements de la chaudière

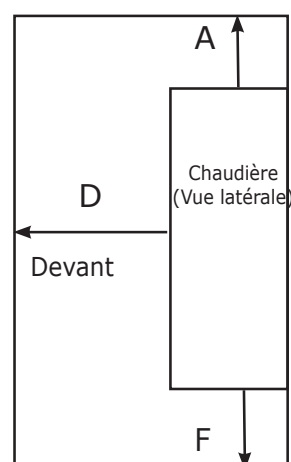
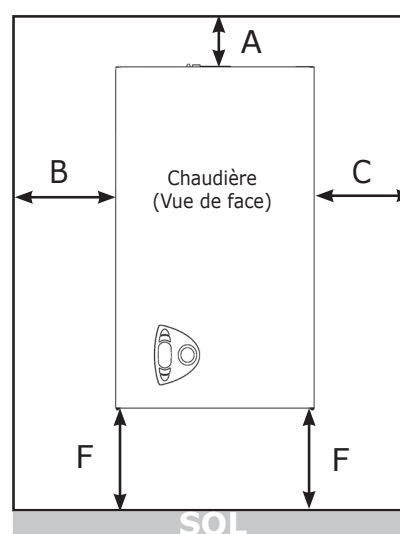


TABLEAU 1 : DÉGAGEMENTS DE LA CHAUDIÈRE		
Dimensions	Matériaux combustibles ⁽¹⁾	Entretien ⁽¹⁾⁽²⁾
Dessus (A)	41 cm (16")	41 cm (16")
Côté gauche (B)	0 cm (0")	3 cm (1")
Côté droit (C)	0 cm (0")	1 cm (3")
Devant (D)	0 cm (0")	3 cm (1")
Dos (E)	0 cm (0")	0 cm (0")
Bas (F)	0 cm (0")	30 cm (12")
Tuyauterie/air de combustion	0 cm (0")	1 cm (3/8")
Tuyauterie d'évent	15 cm (6")	15 cm (6")

⁽¹⁾ Distances nécessaires mesurées à partir de la jaquette de la chaudière.
⁽²⁾ Dégagements recommandés pour l'entretien, le bon fonctionnement de la chaudière.

4 - EMBLACEMENT DE LA CHAUDIÈRE

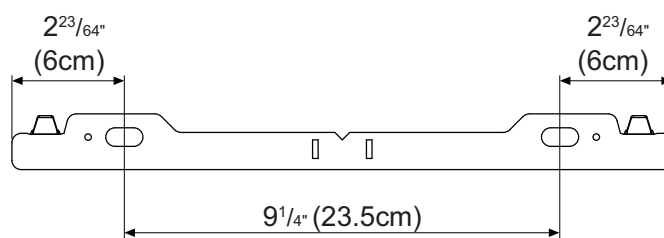
4.2 Fourniture en amont des tuyaux et raccords d'eau de retour avec accessoires d'usine avant le montage mural.

4.3 Montage mural

Montez la chaudière sur un mur à l'aide du support de montage mural fourni avec l'appareil.

- La structure doit être en mesure de supporter le poids de la chaudière plus 28 kg (60 lbs). Voir la page 50.
- Le support de montage mural a 2 fentes espacées de 23,5 cm (9 1/4") au centre.
- Fixez le support de montage au mur.
- La chaudière doit être accrochée au support mural. Voir la figure 6.

Figure 6 - Support de montage mural



ATTENTION

Le poids de la chaudière dépasse 34 kg (75 pounds). Ne soulevez pas la chaudière pour la fixer au mur sans aide.

AVIS

Soulevez la chaudière à l'aide d'un châssis. L'utilisation de la jaquette avant, de la tuyauterie d'évent, des raccords d'eau ou de gaz pour soulever la chaudière peut endommager l'appareil.

5.1 Généralités

- Posez la tuyauterie conformément aux normes établies par l'organisme compétent.

AVIS

Utilisez deux (2) clés pour monter et serrer le tuyau sur les raccords filetés de la chaudière. La tuyauterie interne de la chaudière peut se détériorer si soumise à un couple excessif.

- Soutenez la tuyauterie de l'installation et celle de décharge de la soupape de sécurité. La tuyauterie interne de la chaudière et le support de montage mural peuvent se détériorer sous un poids excessif.
- Dimensionnez la pompe de chauffage central (et de la pompe d'eau chaude sanitaire, si utilisée) pour les nécessités de l'installation seulement. La pompe à échangeur de chaleur interne compense les chutes de pression dans la tuyauterie interne et l'échangeur de chaleur de la chaudière.
- Nettoyez et rincez soigneusement l'installation avant de la raccorder à la chaudière.
- Si de l'huile est présente dans l'eau de l'installation, utilisez des détergents adaptés pour laver l'installation.
- Rincez l'installation pour éliminer toutes les particules solides telles que copeaux métalliques, fibres ou ruban de téflon, etc.

5.2 Caractéristiques de l'eau de l'installation

- L'eau dans l'installation de chauffage doit être protégée pour ne pas corroder les matériaux métalliques.
- L'eau de remplissage et, par conséquent, d'appoint, doit être claire, d'une dureté inférieure à 150 ppm CaCO₃,
 - A. être traitée avec des produits chimiques de traitement de l'eau autorisés afin de prévenir la corrosion et la détérioration de métaux et de matières plastiques, d'éviter la formation de gaz
 - B. et la prolifération de bactéries ou de charges bactériennes dans les installations basse température.
- En présence d'une dureté supérieure à 150 ppm CaCO₃, il est nécessaire d'adoucir l'eau et/ou d'utiliser des agents anticalcaire adaptés.

L'eau circulant dans l'installation doit être contrôlée une fois par an minimum et avoir :

- A. un pH supérieur à 7 et inférieur à 8,5 (inférieur à 8 en présence d'éléments en aluminium ou en alliage léger),
- B. une teneur en fer (Fe) inférieure à 0,5 mg/l,
- C. une teneur en cuivre (Cu) inférieure à 0,1 mg/l,
- D. une teneur totale en chlorures, nitrates et sulfates inférieure à 50 mg/l,
- E. doit contenir des produits chimiques de traitement dans une concentration suffisante pour protéger l'installation pendant un an.

Il ne doit y avoir aucune charge microbienne ou bactérienne dans les installations basse température. Les produits de traitement, les additifs, les inhibiteurs et les liquides antigels peuvent être utilisés seulement si le fabricant garantit qu'ils peuvent être employés dans les installations de chauffage et qu'ils ne provoquent pas de dommages à l'échangeur de chaleur, aux autres éléments et/ou matériaux de la chaudière et de l'installation.

L'utilisation de produits chimiques génériques dont l'utilisation dans des installations de chauffage n'est pas spécifiquement adaptée et/ou est incompatible avec les matériaux de la chaudière et l'installation est interdite.

Les produits chimiques de traitement doivent assurer une désoxygénation complète de l'eau et contenir des agents de protection spécifiques pour les métaux jaunes (cuivre et ses alliages), des agents anticalcaire pour les dépôts de calcaire jusqu'à 150 ppm CaCO₃ au moins, des stabilisateurs au pH neutre et, dans les installations basse température, des biocides spécifiques à utiliser dans les installations de chauffage.

Un séparateur doit être installé dans les installations à alimentation continue d'oxygène (par exemple, installations au sol sans tuyaux anti-diffusion, vases d'expansion ouverts) ou intermittente (par exemple, en cas d'appoints fréquents). Concernant l'eau chaude sanitaire (ECS), aucun traitement susceptible d'empêcher son éventuel usage alimentaire ne peut être adopté.

⚠ AVERTISSEMENT

- Risque d'empoisonnement. L'éthylène glycol est toxique. N'utilisez pas d'éthylène glycol.
- N'utilisez jamais d'antigel à base de glycol courant ni de glycol pour le secteur automobile, même si l'éthylène glycol est compatible avec les systèmes hydroniques.
- L'éthylène glycol peut attaquer les garnitures et les joints d'étanchéité posés dans les systèmes hydroniques.
- Utilisez uniquement des solutions de propylène glycol inhibé certifiées par le fabricant du fluide et pouvant être utilisées dans une installation de chauffage d'eau fermée.
- Nettoyez et rincez soigneusement tout système ayant utilisé du glycol avant d'installer une chaudière neuve.
- Transmettez à l'utilisateur la Fiche de données de sécurité du matériel décrivant le fluide utilisé.

AVIS

N'exposez pas la chaudière à des températures inférieures à zéro.

5.3 Conditions spéciales

- Tuyauterie de l'installation exposée au gel : Utilisez des solutions de propylène glycol inhibé certifiées par le fabricant du liquide à utiliser dans une installation de chauffage d'eau fermée. N'utilisez pas de glycol pour le secteur automobile ni d'éthylène glycol.
- Chaudière utilisée avec un système de réfrigération. Installez la tuyauterie parallèlement à la chaudière, avec les vannes adaptées pour éviter que le réfrigérant ne pénètre dans la chaudière.
- Tuyauterie de l'installation raccordée à des serpentins de chauffage situés dans l'unité de traitement de l'air exposée à la circulation de l'air réfrigéré. L'installation de vannes de régulation de débit ou de tout autre dispositif automatique permet d'éviter la circulation par gravité de l'eau de la chaudière pendant le cycle de refroidissement.

5.4 Raccordement du ballon pour la production d'eau chaude sanitaire

- Le module électronique de l'unité est conçu pour gérer un ballon extérieur pour la production d'eau chaude sanitaire.
- Voir la figure 10 pour la plomberie hydronique.
- Réalisez les connexions électriques comme illustré sur le schéma de câblage de la page 81.
- Le système de commande de la chaudière détecte la présence de la sonde du ballon d'eau chaude et configure automatiquement la fonction ECS en activant l'afficheur et les commandes.
- Étalonnez l'échangeur de chaleur indirect et la capacité de la chaudière.
- Un réservoir indirect peut nécessiter une pompe dédiée. Voir la figure 7 et les spécifications du ballon indirect pour déterminer la pompe.
- Une taille de ballon incorrecte ou un débit insuffisant peuvent être à l'origine :
 - F. de performances insuffisantes du ballon direct.
 - G. d'un cycle de chaudière trop court.
 - H. Des appels d'ECS prolongés se traduisant par une réponse tardive aux appels de chauffage central.

AVERTISSEMENT

Risque de brûlure et d'ébouillantage. La soupape de sécurité peut libérer de la vapeur ou de l'eau chaude pendant le fonctionnement. Installez la tuyauterie d'évacuation conformément à ces instructions. Le non-respect de ces instructions peut causer de graves lésions et la mort.

5.5 Soupape de sécurité

AVIS

Chaudière réglée sur la pression de service max. admise de 0,30 MPa (43,5 psig). Chaudière fournie avec une soupape de sécurité de 0,21 MPa (30 psig).

- Installez la soupape de sécurité à l'aide des accessoires de tuyauterie fournis avec la chaudière. Voir la figure 8.
- Installez la soupape de sécurité avec l'axe à la verticale.
- N'installez pas de vanne d'arrêt entre la chaudière et la soupape de sécurité.
- Installez la tuyauterie de refoulement à partir de la soupape de sécurité. Voir la figure 9.
 - Utilisez un tuyau de 3/4" ou plus grand.
 - Utilisez un tuyau adapté à une température de 191°C (375°F) ou supérieure.
 - La tuyauterie d'évacuation d'une chaudière individuelle doit être indépendante de toute autre tuyauterie d'évacuation.

Figure 7 - Diagramme de performance du ballon indirect

Hauteur disponible en fonction de débit avec ballon

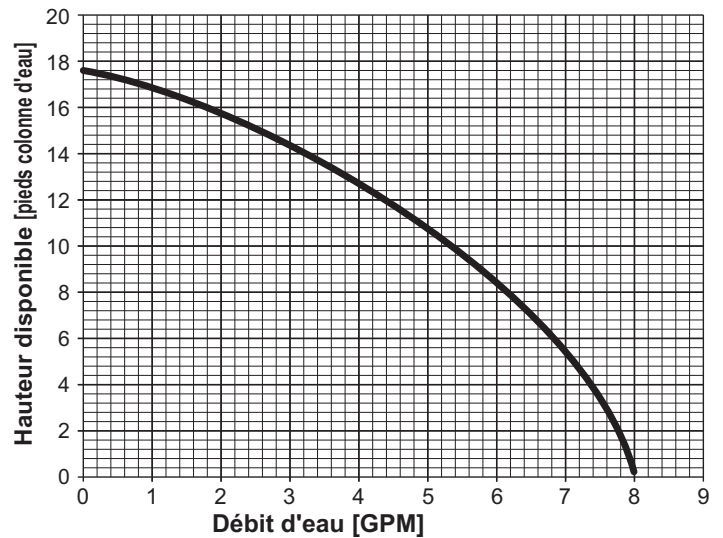
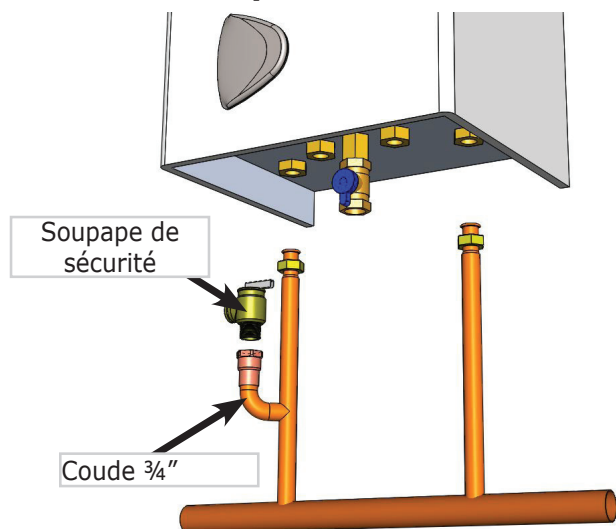


TABLEAU 2

Hauter disponible Colonne d'eau (pieds)	débit US GPM
17.52	0
16.74	1
15.81	2
14.57	3
12.87	4
10.85	5
8.53	6
4.96	7
0.31	8

— CHB 100 - CHB 130 - CHB 150

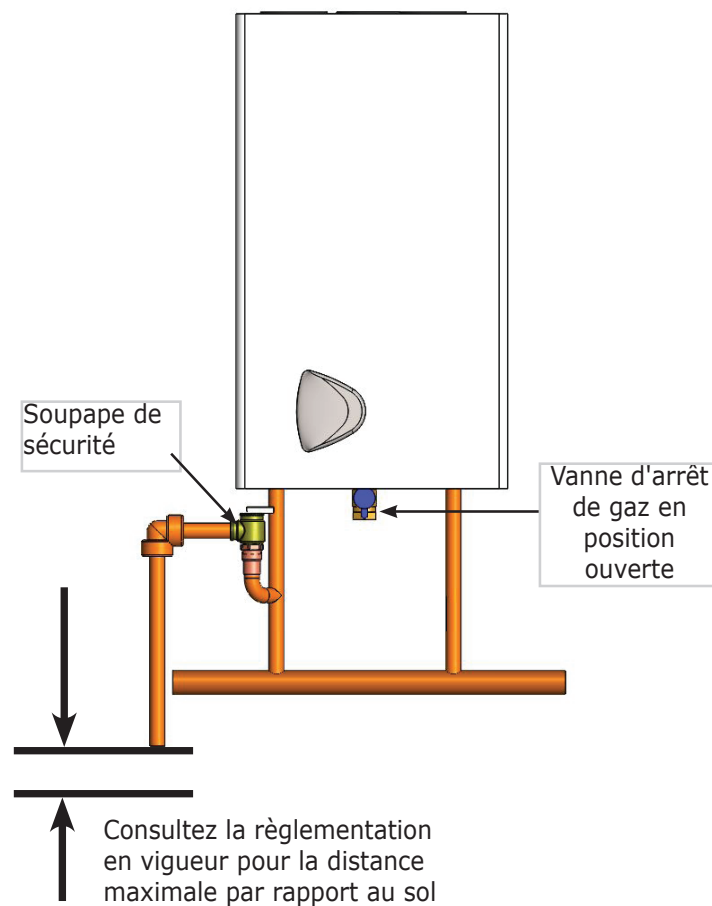
Figure 8 - Soupape de sécurité et évent d'air (vue de face à la chaudière)



5 - TUYAUTERIE HYDRONIQUE

- Dimensionnez et disposez la tuyauterie d'évacuation pour éviter de réduire la capacité de décharge au-dessous de la capacité minimum de la vanne de décharge indiquée sur la plaque signalétique.
- Acheminez le tuyau de la façon la plus brève et rectiligne possible en protégeant l'utilisateur contre tout risque de brûlure et purgez correctement la tuyauterie.
- Installez un raccord, le cas échéant, près de la sortie de la soupape de sécurité.
- Installez le(s) coude(s), le cas échéant, près de la sortie de la soupape de sécurité et en aval du raccord (si utilisé).
- Terminez le tuyau avec un embout lisse (non fileté).

Figure 9 - Tuyauterie d'évacuation de la soupape de sécurité



5.6 Tuyauterie du système

- Les systèmes à vanne de remplissage automatique nécessitent un dispositif antirefoulement.
- Système à une seule chaudière.
 Considérations supplémentaires:
 - Le contrôle de chaudière est conçu pour une pompe de chauffage central unique. L'installateur est responsable de l'intégration de pompes de chauffage central multiples.

5.6a Interrupteur de bas niveau d'eau (LWCO)

- La chaudière installée au-dessus du niveau de rayonnement (ou conformément aux dispositions des autorités compétentes) doit disposer d'un interrupteur de bas niveau d'eau. Voir figure 10.
- Brancher le câble de l'interrupteur de bas niveau d'eau et le câble d'alimentation 120 V sur les bornes fournies. Voir le diagramme de câblage de la chaudière. Alimenter en courant l'interrupteur de bas niveau d'eau conformément aux instructions du fabricant.
- Localisation de la sonde de l'interrupteur de bas niveau d'eau. Voir la figure 10 pour la hauteur minimale de la sonde. Ne pas installer de vanne de fermeture entre la chaudière et la sonde de l'interrupteur de bas niveau d'eau.
 - En cas d'utilisation d'un tuyau vertical séparé, installer un évent en T pour éviter les désagréments d'un arrêt.
 - Voir la figure 10 pour une localisation possible de la sonde.
 - Arranger la tuyauterie pour éviter que de l'eau ne ruisselle sur la chaudière.

Figure 10 - Localisation possible de la sonde de l'interrupteur de bas niveau d'eau

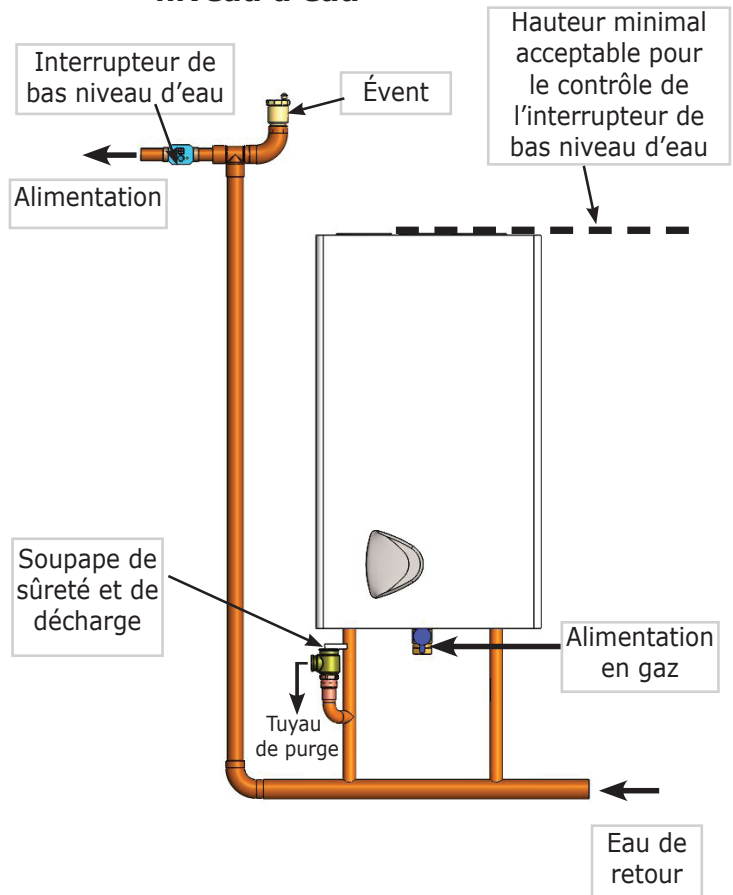
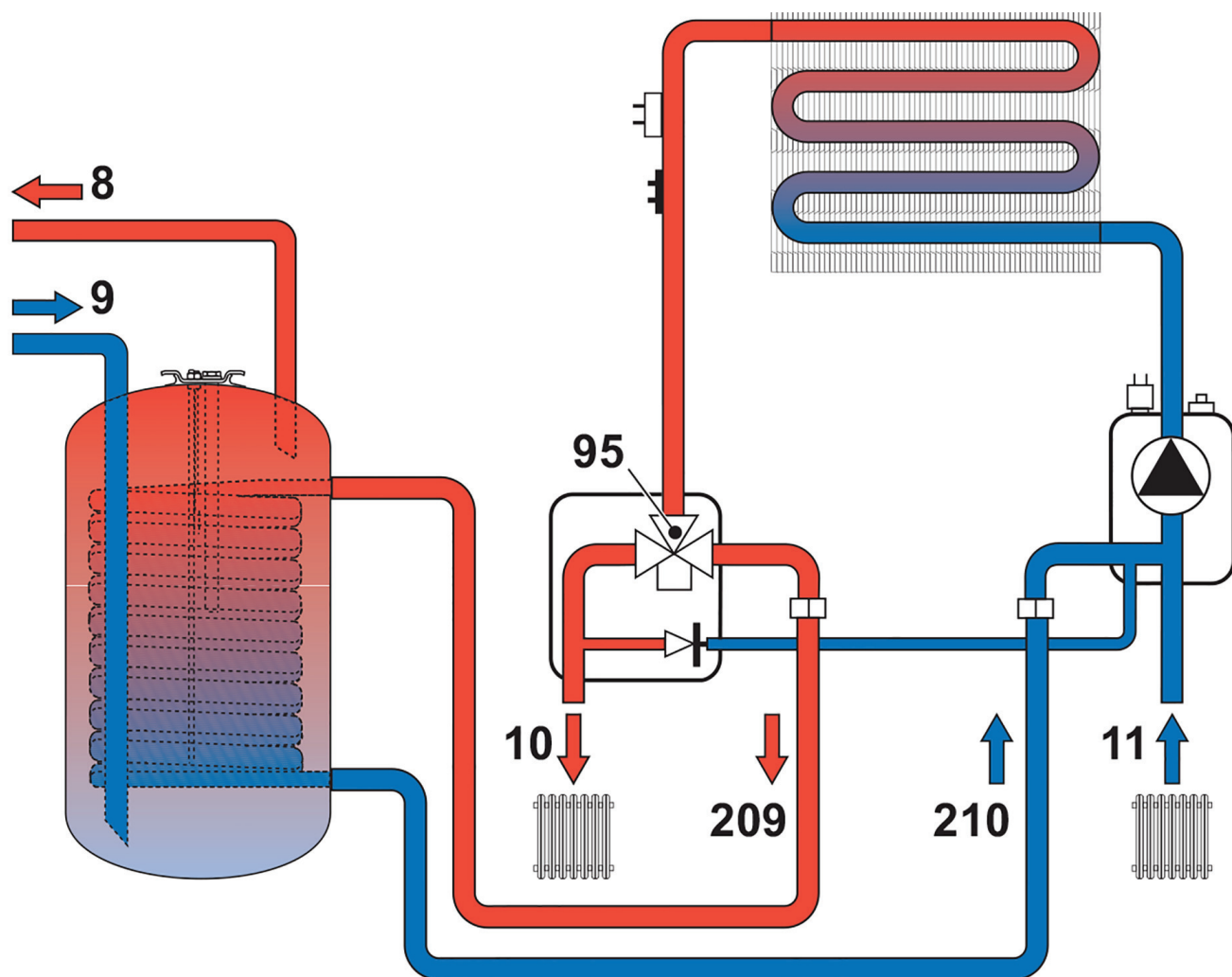


Figure 11 - Tuyauterie hydronique



- 8** Sortie d'eau chaude sanitaire
- 9** Arrivée d'eau chaude sanitaire
- 10** Alimentation de l'installation de chauffage
- 11** Retour de l'installation de chauffage
- 95** Vanne directionnelle
- 209** Alimentation ballon d'eau chaude
- 210** Retour ballon d'eau chaude

6 - TUYAUTERIE DE L'AIR DE COMBUSTION ET D'ÉVENT - CATÉGORIE I (CHEMINÉE)

⚠ AVERTISSEMENT

L'installation de la chaudière et de l'évacuation doit être effectuée par un technicien d'entretien compétent, conformément aux instructions du manuel. L'installation ou l'évacuation d'une chaudière ou de tout autre appareil à gaz avec des méthodes ou des matériaux non adaptés peuvent causer de graves lésions ou la mort, suite à un incendie ou à une asphyxie due aux gaz nocifs comme le monoxyde de carbone, un gaz inodore et invisible.

⚠ AVERTISSEMENT

Ne raccordez pas la chaudière à une portion quelconque de système à tirage mécanique fonctionnant sous pression positive.

6.1 Contrôle de la cheminée

La cheminée doit être propre, de taille adaptée, construite correctement et en BON ÉTAT.

1. L'installation doit être conforme aux normes établies par l'organisme compétent ou, à défaut, de celles du Code national du gaz combustible, ANSI Z223.1/NFPA 54 et/ou du Code d'installation du gaz naturel et du propane, CAN/CSA B149.1.
2. Le montage d'un adaptateur est nécessaire sur cette chaudière pour un événement de catégorie I ; le diamètre minimum admis de l'évent est de 4". Ceci n'implique pas que le conduit de raccordement doive avoir un diamètre de 4". Le conduit de raccordement doit avoir les dimensions indiquées dans les tableaux du Code national du gaz combustible, mais un diamètre supérieur à 4" peut s'avérer nécessaire.

AVIS

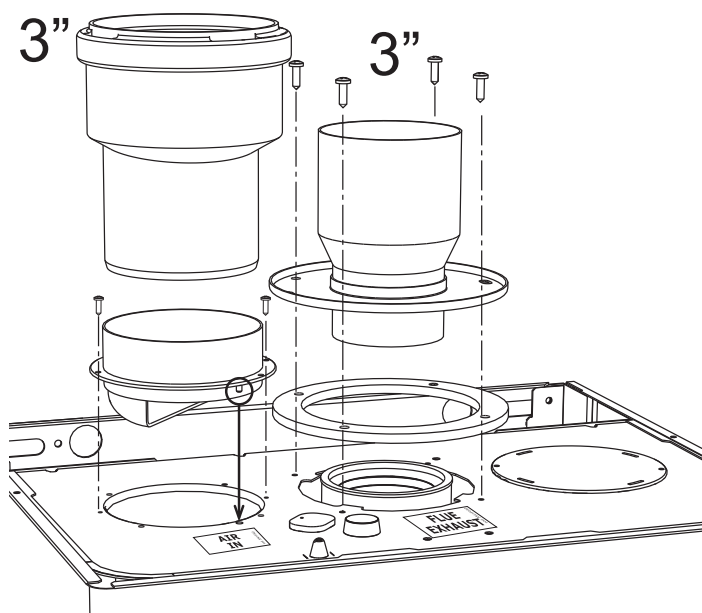
L'installation de la chaudière pour la ventilation de la cheminée n'est pas terminée tant que le raccord adaptateur n'est pas mis en place et fixé solidement.

3. Ces appareils sont des chaudières haute efficacité de catégorie I et catégorie III à cheminée ou température d'évacuation inférieure.
4. Pour l'évacuation dans une cheminée en maçonnerie sans gaine, gainez la cheminée de haut en bas avec :
 - A. un tuyau d'évent de type B ou
 - B. une gaine d'évent flexible ou
 - C. une gaine en céramique injectée.
5. Des cheminées extérieures ne doivent pas être utilisées sauf si (choisir une des options ci-dessous) :
 - A. elles sont emmurées
 - B. elles sont doublées avec un tuyau d'évent de type B ou
 - C. Utilisez une gaine d'évent flexible
 - D. Utilisez un système de tubage de cheminée homologué
6. Le conduit de raccordement de la chaudière à la cheminée doit être le plus droit possible et avoir aussi

peu de coudes que possible.

7. Un système d'évent commun n'est pas admis. La chaudière et d'autres appareils homologués peuvent partager le même conduit de cheminée. Consultez les prescriptions applicables aux appareils multiples dans les tableaux de dimensionnement du Code national du gaz combustible.
8. La chaudière est le seul appareil raccordé au conduit ; un tuyau d'évent de type B est conseillé comme conduit de raccordement.
9. Pente ascendante de la chaudière à la cheminée supérieure à 21 mm/m (1/4").
10. L'extrémité du tuyau d'évent doit être au ras de la face interne du conduit de cheminée. Utilisez une cartouche étanche pour le raccordement de la cheminée.
11. Fixez des tronçons de tuyau d'évent avec des vis à tôle pour rendre la tuyauterie rigide. Utilisez des câbles de tuyau de poêle pour soutenir le tuyau.
12. Ne les raccordez pas au foyer de cheminée.
13. N'installez pas de registre sur cette chaudière.

Figure 12 - Raccord d'air de combustion



Une évacuation horizontale requiert un adaptateur installé sur place pour la sortie des gaz de combustion de la chaudière.

La chaudière est fournie avec conduit de raccordement de 3" ; l'adaptateur 3" x 4" doit être installé sur place pour la pose de la cheminée. Ceci ne signifie pas que le raccordement à la cheminée sera toujours de 4".

6 - TUYAUTERIE D'AIR DE COMBUSTION ET DE VENTILATION - CATÉGORIE I (CONDUIT DE CHEMINÉE)

6.2 Dégagement minimum du tuyau d'évent

- Utilisez le tuyau d'évent de type B en le faisant passer par le vide sanitaire. Lorsque le tuyau d'évent passe par un mur ou une cloison combustible, utilisez une gaine en métal ventilée. La gaine doit avoir un diamètre de 4 pouces de plus par rapport au tuyau d'évent.
- Une chaudière installée avec un événement mural doit avoir un dégagement de 6" entre sa surface et tout matériau combustible. Un événement de gaz neuf ou une gaine flexible neuve doit être installé(e) conformément aux instructions données avec l'évent. Respectez les dégagements préconisés pour le tuyau d'évent.
- Vérifiez que le tuyau d'évent est protégé par un coupe-feu lorsqu'il passe à travers le plancher ou le plafond. Il doit avoir un bouchon d'évent homologué avec des dégagements par rapport au toit. Si les dégagements sont inférieurs à ceux indiqués, faites vérifier l'évent par les organismes locaux. Figure 14 page 64.
- Les conduits de raccordement desservant les appareils ventilés par un tirage naturel ne doivent pas être reliés à une portion de système de tirage mécanique fonctionnant sous pression positive.

6.3 Retrait de la chaudière existante du système d'évent commun

Après le retrait de la chaudière, le système d'évent commun peut être trop grand pour les appareils restant connectés.

1. Au moment du retrait d'une chaudière, les étapes suivantes doivent être observées avec chaque appareil restant connecté au système d'évent commun en fonctionnement, tandis que les autres appareils restés connectés au système d'évent commun sont hors tension.
2. Scellez toutes les ouvertures non utilisées dans le système d'évent commun.
3. Inspectez visuellement le système d'évent pour obtenir la bonne taille et le pas horizontal et vérifiez qu'il n'y a pas d'obstruction ni d'étranglement, de fuite, de corrosion ou autre défaillance pouvant provoquer un état dangereux.
4. Dans la mesure du possible, fermez toutes les portes et fenêtres du bâtiment, ainsi que toutes les portes situées dans l'espace où se trouvent les appareils restés connectés au système d'évent commun et autres espaces du bâtiment. Allumez les sècheuses et tout appareil non connecté au système d'évent commun. Mettez sous tension tous les ventilateurs d'extracteur, tels que les hottes et les ventilateurs de salle de bain, pour qu'ils fonctionnent à une vitesse maximale. N'utilisez pas de ventilateur d'été. Fermez les registres de cheminée.
5. Allumez l'appareil à inspecter. Suivez les instructions d'allumage. Réglez le thermostat de sorte que l'appareil fonctionne en continu.

6. Vérifiez les fuites au niveau de l'ouverture d'échappement du coupe-tirage après 5 minutes de fonctionnement du brûleur principal. Utilisez la flamme d'une allumette ou d'une bougie, ou la fumée d'une cigarette, d'un cigare ou d'une pipe.
7. Après avoir déterminé que chaque appareil restant connecté au système d'évent commun est correctement ventilé lorsqu'il est testé comme indiqué ci-dessus, remettez les portes, fenêtres, ventilateurs d'extraction, les registres de cheminées et tout autre appareil brûlant du gaz à son état d'utilisation précédent.
8. Tout fonctionnement incorrect du système d'évent commun doit être corrigé de sorte que l'installation soit conforme au Code national de gaz combustible ANSI Z223.1/NFPA 54 et/ou au Code d'installation du gaz naturel et du propane, CAN/CSA B149.1. Lors du redimensionnement d'un tronçon du système d'évent commun, corrigez les dimensions pour vous rapprocher de la taille minimum, comme indiqué dans les tableaux respectifs de la partie 13 du Code national de gaz combustible, ANSI Z223.1/NFPA 54 et/ou du Code d'installation du gaz naturel et propane, CAN/CSA B149.1.
9. Il est recommandé de contrôler les événements de gaz existants afin de s'assurer de leur conformité aux normes locales en vigueur.

6.4 Ventilateur modulable

- L'unité est équipée d'un système de contrôle avancé du débit d'air de combustion, des gaz évacués, avec un ventilateur modulable et un capteur de pression.
- L'unité adapte automatiquement son fonctionnement au type et à la longueur de conduit sans aucun réglage nécessaire pendant l'installation ou l'utilisation de déflecteurs dans le circuit de combustion.
- L'unité régule constamment et automatiquement le débit d'air de combustion et des gaz évacués selon les changements de charge thermique. La combustion et l'échange de chaleur s'effectuent dans des conditions optimales. L'efficacité thermique de l'unité reste élevée sur toute sa plage de puissance.

6.5 Matériaux pour tuyaux d'évent

- Voir le tableau 3

Tableau 3 - Raccords de tuyauterie d'air de combustion et de ventilation - Catégorie I (conduit de cheminée)

Élément	Matériau	Normes
Tuyau d'évent et raccords	Évent de type B	UL 441, ULC S605
	Cheminée en maçonnerie - doit être conforme aux normes régissant le dimensionnement et les matériaux	Code national du gaz combustible, ANSI Z223.1/NFPA 54
Air de combustion	Acier inoxydable, PVC, CPVC, PP, aluminium	ANSI/ASTM D2564, ANSI/ASTM F493, UL 1738/ULC636-08

Chaudières à tirage induit

L'installation de systèmes à ventilation horizontale (catégorie III) doit être conforme aux exigences de l'organisme compétent ou, en leur absence, du Code national du gaz combustible, ANSI Z223.1/NFPA 54 et/ou Code d'installation du gaz naturel et du propane, CAN/CSA B149.1

1. Les chaudières doivent être ventilées horizontalement. Le tuyau d'évent est incliné de la chaudière à la terminaison de l'évent. Ne raccordez pas d'autres appareils à cet événement.
2. Matériau du tuyau d'évent homologué UL - tuyau d'évent et raccords en acier inoxydable AL294C.
3. Dégagement par rapport aux matériaux combustibles : Pour un tuyau d'évent en acier inoxydable, respectez un dégagement minimum de 6" par rapport aux matériaux combustibles.
4. Taille du tuyau d'évent : Tuyau d'évent de 3" directement raccordé à la sortie de la soufflerie à tirage induit.
5. Longueur du tuyau d'évent :
 - A. Pour un tuyau d'évent en acier inoxydable, la longueur d'évacuation maximale à l'horizontale est de 65 pieds équivalents.
 - B. La longueur de l'évent minimum à l'horizontale est de 5 pieds équivalents.
 - C. Pour des coudes de 3" et de 90° = 5 pieds équivalents de longueur d'évent.
6. Raccord de terminaison d'évent : Pour tous les matériels de tuyau d'évent, il est possible d'utiliser :
 - A. un coude de 90° orienté vers le bas, monté avec un grillage de 1/4" minimum pour éviter la pénétration de rongeurs et d'oiseaux. Le coude doit être réalisé dans le même matériau et avoir les mêmes dimensions que le tuyau d'évent. La sortie du coude doit se situer à une distance de 6" au moins par rapport au mur extérieur.

-ou-

 - B. Hotte d'évacuation murale concentrique.
7. Emplacement de la terminaison d'évent :
 - A. Respectez les dégagements combustibles pour l'évacuation à travers des murs combustibles. La terminaison d'évent ECR, 5612601 est une terminaison d'évent direct certifiée (pour l'évacuation de catégorie III) faisant office à la fois de terminaison d'évent extérieur et de double tuyau mural traversant un mur combustible de 10" d'épaisseur. Des terminaisons d'évent d'autres fabricants peuvent être utilisées à condition d'être certifiées pour la ventilation de catégorie III.
 - B. Si le coude de 90° est le raccord de terminaison choisi, le tuyau mural simple passera à travers le mur latéral. Pour les murs combustibles, il faut utiliser une gaine homologuée UL, le tuyau mural simple passant à travers le mur.
 - C. Pour un tuyau mural simple passant à travers un mur non combustible, l'orifice à travers le mur doit être suffisamment grand pour maintenir le pas du tuyau d'évent et garantir une bonne étanchéité. Une gaine n'est pas nécessaire pour un tuyau mural simple passant à travers des murs non combustibles.

- D. Le système d'évent se terminera à au moins 0,9 m (3 pieds) au-dessus de l'arrivée d'air forcée situé à 3 m (10 pieds). Le système d'évent se terminera dessous à au moins 1,2 m (4 pieds) horizontalement ou 300 mm (1 pied) au-dessus de toute porte, fenêtre ou prise d'air par gravité dans n'importe quel bâtiment. La partie inférieure de l'évent doit se trouver à au moins 300 mm (12 pouces) au-dessus du sol. La terminaison de l'évent ne doit pas être inférieure à 2,13 m (7 pieds) au-dessus d'une passerelle publique adjacente. L'extrémité de l'évent doit être installée à une distance minimum de 0,9 m (3 pieds) du coin intérieur d'une structure en L. La terminaison de l'évent doit se situer à une distance minimum de 0,9 m (3 pieds) de la végétation. Le système d'évent se terminera à au moins 1,2 m (4 pieds) horizontalement, et en aucun cas au-dessus ou au-dessous, sauf si une distance horizontale de 1,2 m (4 pieds) est maintenue, par rapport à des compteurs électriques, de gaz, des régulateurs et des équipements de décharge.
 - Le système d'évent doit se terminer à au moins 1,2 m (4 pieds) de gouttières, soffites ou saillies.
 - Le système d'évent ne doit pas se terminer sous des terrasses, des patios ou autres structures similaires.
 - Mettez l'évent sur un mur à l'abri du vent d'hiver dominant. Placez ou protégez l'évent afin d'éviter tout contact accidentel avec des personnes ou des animaux domestiques.
 - Terminez l'évent au-dessus de la limite de neige normale. Évitez les lieux exposés aux accumulations de neige susceptibles de boucher l'évent. De la glace ou de la neige peuvent provoquer l'arrêt de la chaudière si l'évent s'obstrue.
 - Dans certaines conditions, les gaz de combustion peuvent condenser et former de l'humidité. Dans de tels cas, il est nécessaire de prendre des mesures pour éviter que les matériaux de construction au niveau de l'extrémité de l'évent ne soient détériorés par les gaz de combustion.

États-Unis - Terminez le système d'évent horizontalement à au moins 1,2 m (4 pieds), et en aucun cas au-dessus ou au-dessous, sauf si une distance horizontale de 1,2 m (4 pieds) est maintenue, par rapport à des compteurs électriques, de gaz, des régulateurs et des équipements de décharge.

Canada - Terminez le système d'évent horizontalement à au moins 1,83 m (6 pieds), et en aucun cas au-dessus ou au-dessous, sauf si une distance horizontale de 1,83 m (6 pieds) est maintenue, par rapport à des compteurs électriques, de gaz, des régulateurs et des équipements de décharge.

8. Union et scellement du tuyau d'évent : Le tuyau d'évent a besoin d'être étanche à l'eau et au gaz. Scellez tous les joints et toutes les soudures conformément aux instructions d'installation du fabricant du tuyau d'évent.

6 - TUYAUTERIE D'AIR DE COMBUSTION ET DE VENTILATION DIRECTE DE CATÉGORIE III

9. Espacement des supports : Ne limitez pas le mouvement de dilatation thermique de l'évent. Le tuyau d'évent doit se dilater et se contracter librement en fonction des changements de température. Chaque tronçon de tuyauterie d'évent doit être supporté conformément aux instructions du fabricant du tuyau d'évent.
10. Si l'évent horizontal doit traverser un vide sanitaire ou tout autre espace non chauffé, les températures froides peuvent provoquer une condensation continue des gaz de combustion à l'intérieur du tuyau d'évent. N'isolez pas le tuyau d'évent. Il doit être accessible pour les inspections mensuelles. Assurez-vous que le tuyau d'évent soit installé correctement à l'écart de la chaudière, sans endroits bas de façon à ce que la condensation dans l'évent puisse s'évacuer de la chaudière. Un coffrage ou un puits isolé(e), accessible pour l'inspection et l'entretien de l'évent, peut être nécessaire afin d'éviter que du condensat liquide ne gèle. Consultez les directives spécifiques figurant dans les instructions du fabricant du tuyau d'évent.
11. Au début de chaque saison de chauffage et une fois par mois pendant la saison de chauffage, contrôlez tous les tuyaux d'évent et la terminaison d'évent pour s'assurer de l'absence d'obstructions. Nettoyez la grille dans l'extrémité d'évent.

AVERTISSEMENT

Le prolongement de l'évent vers l'extérieur ne doit pas se terminer à côté d'un mur ou au-dessous d'extensions de bâtiments tels que gouttières, balcons, parapets ou terrasses. Le non-respect de cette consigne peut causer de graves lésions ou la mort.

Tableau 4 - Tuyauterie d'air de combustion et ventilation

Type	Élément	Diamètre	Longueur min.	Longueur max.	Matériau	Normes
Évent direct	Évent	3"	1,5 m (5 pieds)	20 m (65 pieds)	Acier inoxydable AL294C, aluminium	UL1738, ULC S636
	Admission d'air	3"	1,5 m (5 pieds)	20 m (65 pieds)	Acier inoxydable, PVC, CPVC, PP, aluminium	ANSI/ASTM D2564, ANSI/ASTM F493, UL 1738/ULC636-08
Catégorie III	Évent	3"	1,5 m (5 pieds)	20 m (65 pieds)	Acier inoxydable AL294C, aluminium	UL1738, ULC S636

Longueur équivalente des éléments de ventilation :

- 5 pieds équivalents pour un coude de 3" et 90°.
- 2 1/2 pieds équivalents pour un coude de 3" et 45°.

6 - TUYAUTERIE D'AIR DE COMBUSTION ET DE VENTILATION

Assurez l'arrivée d'air de combustion et d'air de ventilation conformément à la section « Air pour la Combustion et la ventilation » du Code national du gaz combustible, ANSI Z223.1/NFPA 54 ou aux Sections 8.2, 8.3 ou 8.4 du Code d'installation du gaz naturel et du propane, CAN/CSA B149.1, ou aux dispositions en vigueur des codes locaux du bâtiment.

Fournissez de l'air d'appoint si des ventilateurs d'extraction, des sèche-linge, et des équipements d'aération de cuisine nuisent au bon fonctionnement.

Le Code national du gaz combustible admet plusieurs méthodes pour obtenir une ventilation adéquate et l'air de combustion. Les prescriptions de l'organisme compétent peuvent déroger à ces méthodes.

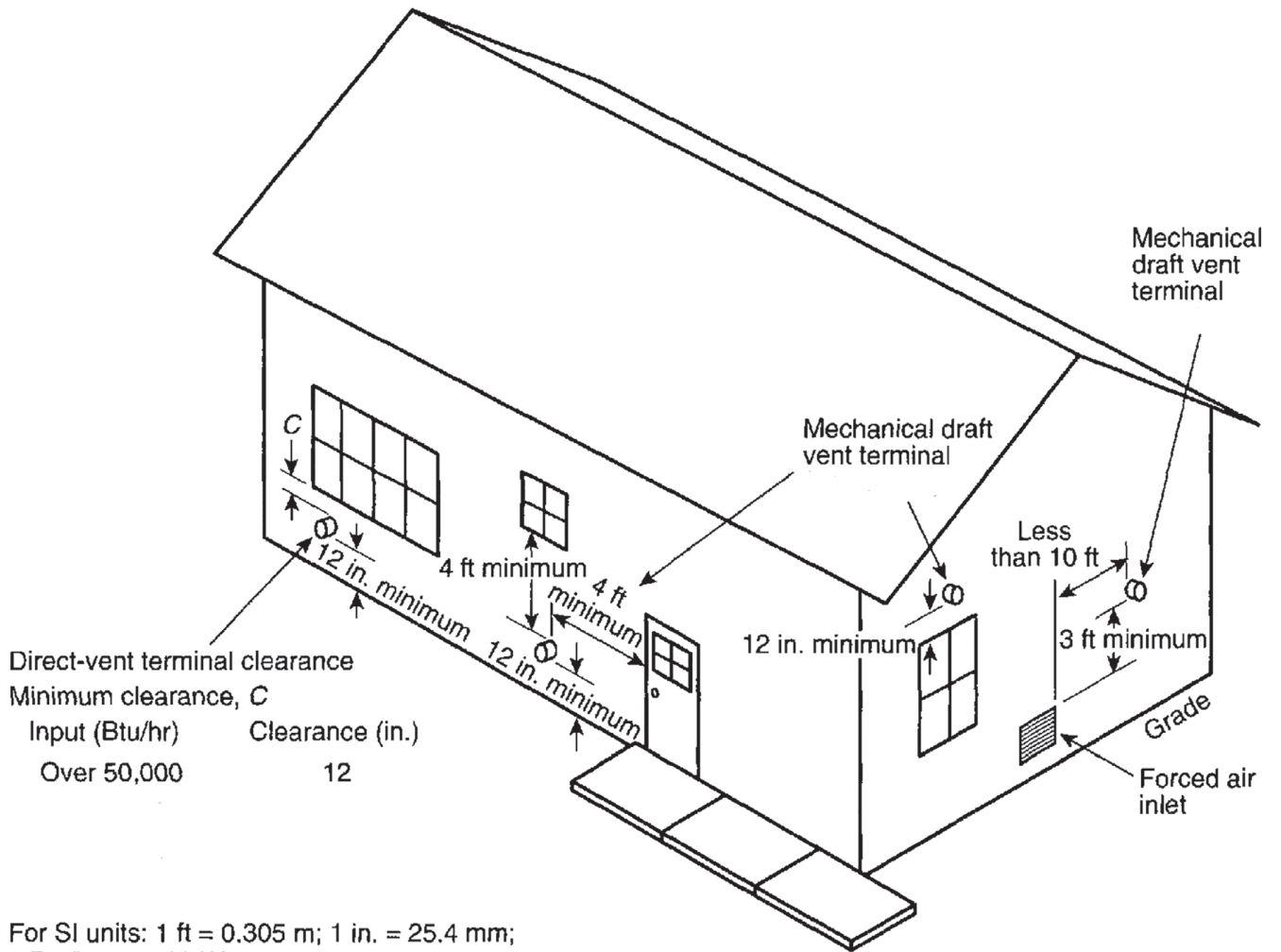
- Installations spéciales. Elles doivent être homologuées par l'organisme compétent.
- Alimentation d'air mécanique. Garantisiez 9,91 l/min m³ (0,35 cfm) par Mbh minimum pour tous les appareils situés à l'intérieur du périmètre. Prescriptions supplémentaires en cas d'installation de ventilateurs d'extraction. Verrouillez chaque appareil au système d'alimentation d'air mécanique pour éviter que le brûleur principal fonctionne lorsque l'installation d'alimentation d'air mécanique n'est pas en service.
- Tout l'air intérieur. Calculez le volume minimum pour tous les appareils présents. Utilisez une méthode différente si le volume minimum n'est pas disponible.
 - ◇ Méthode standard. Ne peut pas être utilisée si le taux d'infiltration d'air connu est inférieur à 0,40 changement d'air par heure. Voir le tableau 5 pour l'espace avec chaudière seulement. Utilisez l'équation pour les appareils multiples.
Volume ≥ 50 pieds cubes x entrée totale [Mbh]
 - ◇ Taux d'infiltration d'air connu. Voir le tableau 5 pour l'espace avec chaudière seulement. Utilisez l'équation pour les appareils multiples. N'utilisez pas un taux d'infiltration d'air (ACH) supérieur à 0,60.
Volume ≥ 15 pieds cubes x entrée totale [Mbh]
 - ◇ Consultez le Code national du gaz combustible pour les orifices nécessaires entre les espaces intérieurs des connexions.

- Tout l'air extérieur. Assurez des ouvertures permanentes sur l'extérieur directement ou à travers des conduites.
 - ◇ Méthode à deux ouvertures permanentes. Une première ouverture devrait se situer à environ 12 pouces (30,4 cm) du haut et la seconde à environ 12 pouces (30,4 cm) du bas du mur de l'espace confiné.
 - ♦ Les ouvertures doivent communiquer avec l'extérieur, soit directement, soit à travers des conduites verticales. Laissez un espace libre minimum de 1 po² (6,45 cm²) pour 4 Mbh de la puissance totale de tous les appareils dans l'espace confiné.
 - ♦ Communication à travers des conduites horizontales. Laissez un espace libre minimum de 1 po² (6,45 cm²) pour 2 Mbh de la puissance totale de tous les appareils dans l'espace confiné.
 - ◇ Méthode à une ouverture permanente. Prévoyez une ouverture se situant à 12 pouces (30,4 cm) du haut du mur de l'espace confiné. Laissez un espace minimum de 1 pouce (2,5 cm) sur les côtés et au dos et de 6 pouces (15,2 cm) à l'avant de la chaudière (ne remplace pas la distance par rapport aux matériaux combustibles).
 - ◇ Combinaison air intérieur et extérieur. Consultez les prescriptions supplémentaires du Code national du gaz combustible pour les volets, grilles, claires-voies et conduits d'air.
- Combinaison air intérieur et extérieur. Consultez les informations du Code national de gaz combustible relatives à l'application. Le Code d'installation du gaz naturel et du propane impose d'assurer l'alimentation d'air conformément :
 - aux sections 8.2 et 8.3 lorsque la combinaison d'appareils a une puissance totale égale ou supérieure à 400 mbh (120 kW).
 - ♦ N'a pas de dispositif de contrôle du tirage.
 - à la section 8.4 lorsque la combinaison d'appareils a une puissance totale de 400 Mbh (120 kW).
- Consultez les prescriptions spécifiques de l'alimentation d'air dans le Code d'installation du gaz naturel et du propane pour espace confiné ou la structure où la chaudière est installée, y compris les ouvertures et les conduites d'alimentation d'air.

Tableau 5 - Infiltration d'air

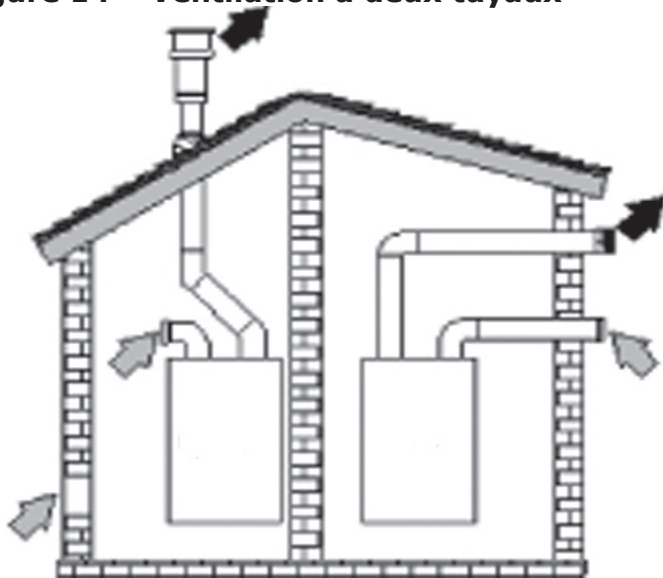
Entrée Mbh	Norme Méthode	Méthode du taux d'infiltration d'air connu (changement d'air par heure)					
		0,1	0,2	0,3	0,4	0,5	0,6
100	5000	15 000	7 500	5 000	3 750	3 000	2 500
130	6500	19 500	9 750	6 500	4 875	3 900	3 250
150	7500	22,500	11,250	7,500	6,625	4,500	3,750

Figure 13 - Dégagements pour l'évacuation horizontale



For SI units: 1 ft = 0.305 m; 1 in. = 25.4 mm;
1 Btu/hr = 0.293 W

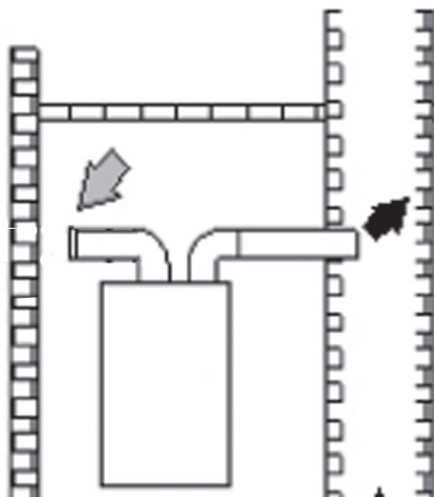
Figure 14 - Ventilation à deux tuyaux



AVIS

Maintenez une distance de 12" (30 cm) US, 18" (46 cm) Canada au-dessus de la limite de neige supérieure ou du sol.

Figure 15 - Ventilation de la cheminée avec air ambiant simple paroi

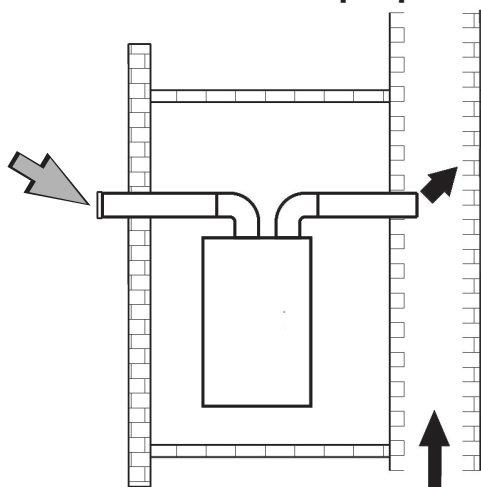


(⇨ = Air de combustion / ⇨ = Ventilation)

AVIS

Consultez la section 6.1, paragraphes 3 à 12, page 59 de ce manuel pour une installation correcte.

Figure 16 - Ventilation de la cheminée avec air extérieur simple paroi



(⇨ = Air de combustion / ⇨ = Ventilation)

CHAUDIÈRE À VENTILATION DIRECTE - Chaudière construite et installée de façon à ce que tout l'air de combustion soit dérivé directement de l'extérieur et à ce que tous les gaz évacués soient acheminés vers l'extérieur. Voir la figure 15.

7- TUYAUTERIE D'ALIMENTATION DE GAZ



ATTENTION

QUE FAIRE EN CAS D'ODEUR DE GAZ

- Ne tentez pas d'allumer un quelconque appareil.
- Ne touchez aucun interrupteur électrique ; n'utilisez aucun téléphone dans votre bâtiment.
- Appelez immédiatement votre fournisseur de gaz à partir du téléphone d'un voisin. Suivez les instructions du fournisseur.
- Si vous ne parvenez pas à contacter votre fournisseur, appelez les pompiers.

7.1 Généralités

- Utilisez des matériaux et des méthodes d'assemblage admises par l'organisme compétent. En l'absence de dispositions :
 - USA - Code national du gaz combustible, ANSI Z223.1/NFPA 54
 - Canada - Code d'installation du gaz naturel et du propane, CAN/CSA B149.1
- Dimensionnez et installez le système de tuyauterie de gaz afin d'assurer une alimentation suffisante de gaz et obtenir une entrée maximale non inférieure à la pression d'alimentation minimale. Voir le tableau 6.
- Soutenez la tuyauterie avec des crochets, des sangles, des bandes, des tasseaux, des systèmes d'accrochage ou les éléments de la structure du bâtiment afin d'éviter ou d'amortir les vibrations excessives et d'éviter toute tension sur le raccordement de gaz. La chaudière ne supporte pas le poids de la tuyauterie.
- Utilisez du frein-filet (pâte à joints) adapté pour le gaz de pétrole liquéfié.
- Prévoyez un piège à sédiments en amont de la vanne à gaz.
- Installez la vanne d'arrêt principale manuelle en dehors de la jaquette. Voir la figure 17.

7.2 Conversion à LP (pétrole liquéfié)

Consultez les instructions sur le kit de conversion du gaz.



DANGER

Risque d'incendie. N'utilisez pas d'allumettes, de bougies, de flammes nues ni d'autres méthodes pouvant constituer une source d'ignition. Le non-respect de cette consigne peut causer des lésions corporelles et la mort.

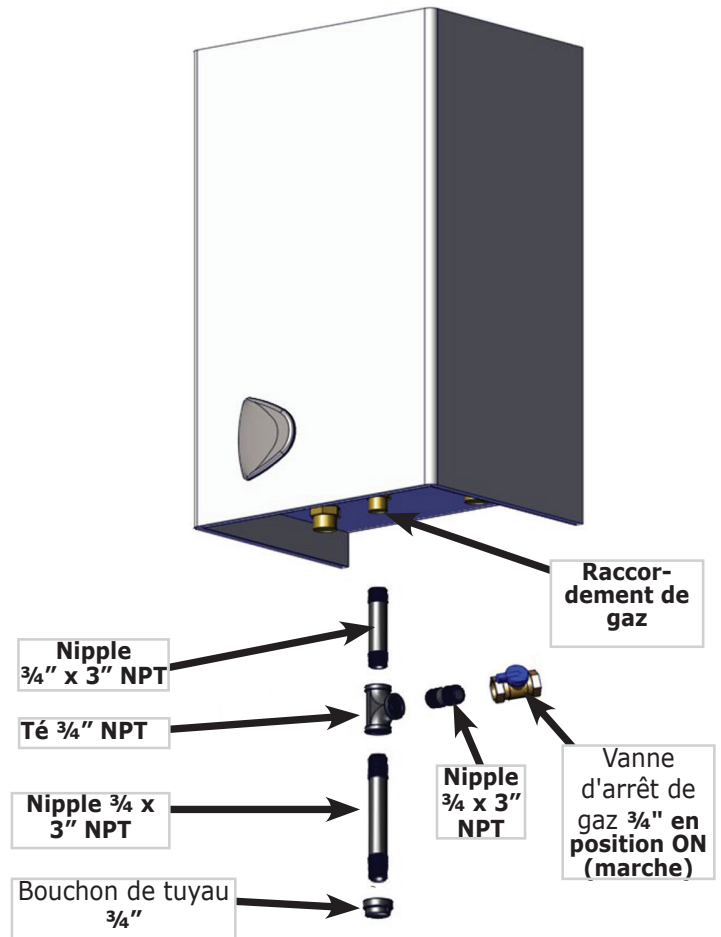
7.3 Contrôle des fuites dans la tuyauterie de gaz

Testez la pression de la chaudière et le raccordement de gaz avant de mettre la chaudière en service.

- Essai de pression au-dessus de 3,5 kPa (1/2 psig). Débranchez la chaudière et sa vanne d'arrêt de gaz individuelle du système d'alimentation de gaz.
- Essai de pression à 3,5 kPa (1/2 psig) ou moins. Isolez la chaudière du système d'alimentation de gaz en fermant la vanne d'arrêt de gaz manuelle. Voir la figure 16.
- Recherchez les fuites avec un détecteur de gaz, un liquide de détection non corrosif ou toute autre méthode de détection admise par l'organisme compétent. N'utilisez pas d'allumettes, de bougies, de flammes nues ni d'autres méthodes pouvant constituer une source d'ignition.
- Remédiez immédiatement aux fuites et faites un nouveau test.

Figure 17 Vanne d'arrêt de gaz principale manuelle en dehors de la jaquette de la chaudière

Tuyauterie avec collecteur de sédiments suggérée par le fabricant



Le fabricant a suggéré un tuyau de gaz avec collecteur de sédiments.

Tableau 6 - Pression d'alimentation de gaz

Pression d'alimentation de gaz	
Gaz naturel	
Min.	Max.
3.5" w.c. (colonne d'eau) (0,7 kPa)	14" w.c. (colonne d'eau) (3,3 kPa)

AVERTISSEMENT

Risque d'électrocution. Coupez l'alimentation électrique sur le tableau de service avant d'effectuer des connexions électriques. Le non-respect de ces instructions peut causer de graves lésions et la mort.

8.1 Généralités

Reliez la chaudière à la terre conformément aux spécifications de l'organisme compétent. Se référer au :

- USA - Code électrique national, ANSI/NFPA 70.
- Canada - Code électrique canadien, 1ère partie, CSA C22.1: Norme de sécurité pour les installations électriques.

8.2 Connexions tension de ligne - chaudière

Fournissez un circuit individuel de 120 V, 15 ampères (recommandé) avec sectionneur à fusible ou un commutateur conforme aux prescriptions de l'organisme compétent.

8.3 Thermostat chauffage central

- A. Utiliser un thermostat ou un système de contrôle de la chaudière avec des contacts secs. Le contrôle de la chaudière n'alimente pas le thermostat du chauffage central en courant 24 VAC. Ne pas utiliser pour alimenter le thermostat en 24 VAC.
- B. Placez et installez le thermostat conformément aux instructions du fabricant. La longueur maximale du câble est de 100 m (330 pieds) pour un câble de 0,64 mm (22 ga.).
- C. Enlever le couvercle fourni par le fabricant. Brancher les fils «de commande de chaleur» sur les bornes 1 et 2 conformément à la figure 18. Les fils sont interchangeables.

8.4 Capteur de température extérieure en option (138)

- A. Brancher le capteur de température entre les bornes 5 et 6 pour permettre la réinitialisation extérieure de la chaudière. Si le fonctionnement avec une température fixe est nécessaire, ne pas installer de capteur extérieur.
- B. Monter le capteur sur le mur extérieur. Protéger le capteur de la lumière directe du soleil, du flux de chaleur ou du froid ou d'autres sources.

8.5 Contrôle de limite de l'eau chaude domestique en option (155)

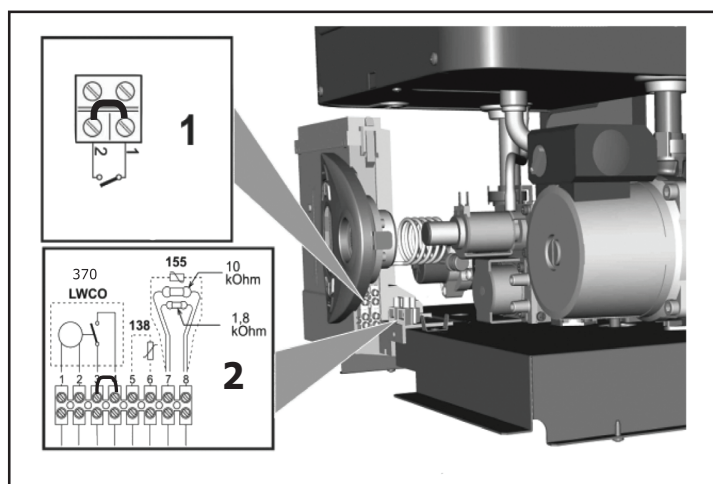
- A. Brancher le contrôle de limite de stockage du chauffe-eau indirect entre les bornes 7 et 8.
- B. Retirer les deux résistances sur les bornes 7 et 8 lorsque l'on utilise un contrôle de limite de l'eau chaude.

8.6 Interrupteur de bas niveau d'eau (LWCO)

(370) - Source de champ

- A. Les branchements sur les bornes 1 et 2 sont de 120 Volts A/C.
- B. Connexions sur 3 et 4 par contact sec uniquement.
- C. Enlever le couvercle sur les bornes 3 et 4 lorsque l'on utilise l'interrupteur de bas niveau d'eau.

Figure 18 - Bornier



1 - Thermostat ou contacts secs. Enlever le couvercle fourni par le fabricant

2 - **138** = Capteur de réinitialisation extérieur en option Branchements sur les bornes 5 et 6.
155 = Capteur de réservoir indirect en option Branchements sur les bornes 7 et 8. Retirer les deux résistances sur les bornes 7 et 8 lorsque l'on utilise un capteur de réservoir indirect en option.
370 = Interrupteur de bas niveau d'eau - source de champ
 Les branchements sur les bornes 1 et 2 sont de 120 Volts A/C.
 Connexions sur 3 et 4 par contact sec uniquement.
 Enlever le couvercle sur les bornes 3 et 4 lorsque l'on utilise l'interrupteur de bas niveau d'eau

3 - **307** = Deuxième circulateur de chauffage (installée sur place)
 Les branchements sur les bornes L1 et N sont de 120 Volts A/C.

AVIS

Suivre toutes les instructions concernant le retrait des câbles du couvercle.

9.1 Remplissage de la chaudière avec de l'eau et purge d'air

AVIS

Pour maintenir l'efficacité de la chaudière et éviter toute ébullition à l'intérieur de l'échangeur de chaleur, rincez entièrement l'installation de chauffage jusqu'à ce qu'elle soit propre..

- Rincez l'installation de chauffage, y compris les zones de chauffage.
- Remplissez la chaudière d'eau potable.
- Remplissez la chaudière et la tuyauterie de l'installation avec de l'eau (ou une solution d'antigel-eau, le cas échéant). Consulter les informations sur l'antigel à la Section 5.3 page 54. Purgez l'air de la chaudière à l'aide de l'évent d'air. Purgez l'air de la tuyauterie de l'installation.
- Inspectez la tuyauterie de l'installation et les raccordements de la chaudière.
- Activez toutes les zones de chauffage et les appels de chaleur, y compris les appels de chauffage central et ceux d'eau chaude sanitaire (si disponibles).
- N'ouvrez pas la vanne d'arrêt de gaz tant que l'air n'est pas purgé de l'installation.

9.2 Démarrage de la chaudière et test fonctionnel

1. Vérifiez que l'air est bien purgé De la tuyauterie hydronique
2. Test des pompes de l'installation – vérifiez si chaque pompe est bien opérationnelle
3. Vérifiez la tuyauterie de gaz
 - Confirmez le test de pression – Voir la section 7.3 page 66
 - Inspectez visuellement la tuyauterie pour vérifier qu'il n'y a pas raccords ni d'extrémités ouverts et que toutes les vannes sont fermées et obturées/ bouchées aux sorties inutilisées.
 - Purgez l'air de l'installation
 - Contrôlez qu'il n'y a pas de fuites au niveau de la tuyauterie et des raccords dès que le gaz est ouvert. Coupez l'arrivée de gaz et effectuez les réparations nécessaires en cas de fuite.
4. Suivez les INSTRUCTIONS D'UTILISATION pour mettre la chaudière en marche. Voir la section 10.
5. Inspectez la tuyauterie d'air de combustion et d'évent. Vérifiez que le tuyau ne fuie pas, que les terminaisons sont bien obstruées et que l'évacuation du gaz d'évent ne constitue pas une nuisance ou un danger.
6. Vérifiez que la chaudière fonctionne correctement.
7. Contrôlez que le module de commande fonctionne correctement.
8. Contrôlez les limites installées sur place, les arrêts de niveau d'eau bas, etc., conformément aux instructions du fabricant.

⚠ AVERTISSEMENT

Risque d'asphyxie. Le monoxyde de carbone est un gaz inodore, insipide, clair et incolore, hautement toxique. La production de monoxyde de carbone ne doit pas dépasser 400 ppm. Le non-respect de ces instructions peut causer de graves lésions ou la mort.

⚠ AVERTISSEMENT

Risque d'asphyxie. Vérifiez que le capuchon soit placé correctement sur le raccord de l'analyseur de combustion pour prévenir l'émission de CO. Le non-respect de ces instructions peut causer de graves lésions ou la mort.

9.3 Réglage de la pression du brûleur

L'unité comporte une modulation de flamme, avec deux valeurs de pressions fixes : minimum et maximum. Voir sec. 12 et la figure 20 pour les réglages.

Brancher la jauge de pression sur le point de pression "B" sur la vanne de gaz.

1. Déposez le bouchon de protection « D ».
2. Faites fonctionner la chaudière en mode TEST.
3. Réglez la pression maximum en tournant la vis « G » dans le sens des aiguilles d'une montre ↻ pour augmenter la pression et dans le sens inverse ↻ pour la diminuer.
4. Débranchez un des deux connecteurs « C » du régulateur par modulation « F » sur la vanne à gaz.
5. Réglez la pression minimum en tournant la vis « E » dans le sens des aiguilles d'une montre ↻ pour augmenter la pression et dans le sens inverse ↻ pour la diminuer.
6. Allumez et éteignez le brûleur, vérifiez que la pression minimum reste stable.
7. Rebranchez le connecteur « C » débranché du régulateur par modulation « F » sur la vanne à gaz.
8. Vérifiez que la pression maximum n'a pas changé.
9. Remplacez le bouchon de protection « D ».
10. Pour clore le mode TEST, répétez la séquence d'activation ou attendez 15 minutes.

9.4 Pour entrer en mode test/Régler la puissance de chauffage

Appuyez simultanément sur les boutons CH+ (Chauffage Central)/- pendant 5 secondes.

- La vanne à 3 voies est en position CH (Chauffage Central) et le brûleur est forcé à 100 %. La chaudière quitte le mode test après 15 minutes ou appuyez simultanément sur les boutons CH +/- pendant 5 secondes pour quitter le mode test manuellement.
- Avec les boutons CH +/-, vous pouvez régler la puissance max. de (0 à 100 %)

9.5 Réglage de l'allumage

Pour régler l'allumage, mettez la chaudière en mode TEST (voir la procédure de démarrage). Appuyez sur les boutons ECS pour augmenter ou diminuer la puissance (min.= 00, max. = 60). Appuyez sur le bouton RESET dans les 5 secondes qui suivent et l'allumage reste réglé. Quittez le mode TEST.

9 - PROCÉDURE DE DÉMARRAGE

9.6 Contrôle de la combustion

Gaz naturel

- Mesurer le débit d'entrée. Éteindre le gaz sur tous les autres appareils.
 - Activez quelques zones de chauffage pour dissiper la chaleur.
 - Réglez la chaudière sur flamme vive.
 - Utilisez ½, 1 ou 2 pieds cubes (0,028 m3 ou 0,056 m3) sur le compteur de gaz. Mesurez le temps nécessaire pour un ou plusieurs tours complets. Mesurez le temps pendant 1-2 minutes.
 - Calculez l'entrée.

$$\text{Entrée (MBH)} = \frac{3600 \times \text{pieds cubes}}{\text{secondes}}$$

Exemple : Flux de gaz de
mètre = 2 pieds cubes (0,056 m3)
Temps mesuré = 72 secondes

$$\text{Débit (MBH)} = \frac{3600 \times 2 \text{ pieds cubes}}{72 \text{ secondes}} = 100 \text{ MBH}$$

2. Mesurer la combustion

Deux ports de test sont disponibles sur le haut de la chaudière, une pour la ventilation et l'autre pour l'air de combustion. Voir figure 19.

Pour prélever un échantillon:

- Ouvrir le bouchon de sortie air/évent.
- Insérer les sondes jusqu'au fond.
- Activer le mode TEST, attendre 10 minutes pour que la chaudière se stabilise.
- Prendre des mesures de combustion en utilisant le port "sortie de l'évent". Voir le tableau 7

Figure 19 - Ports de test

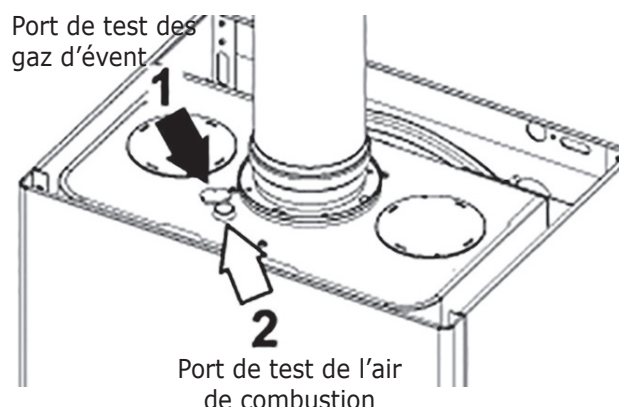
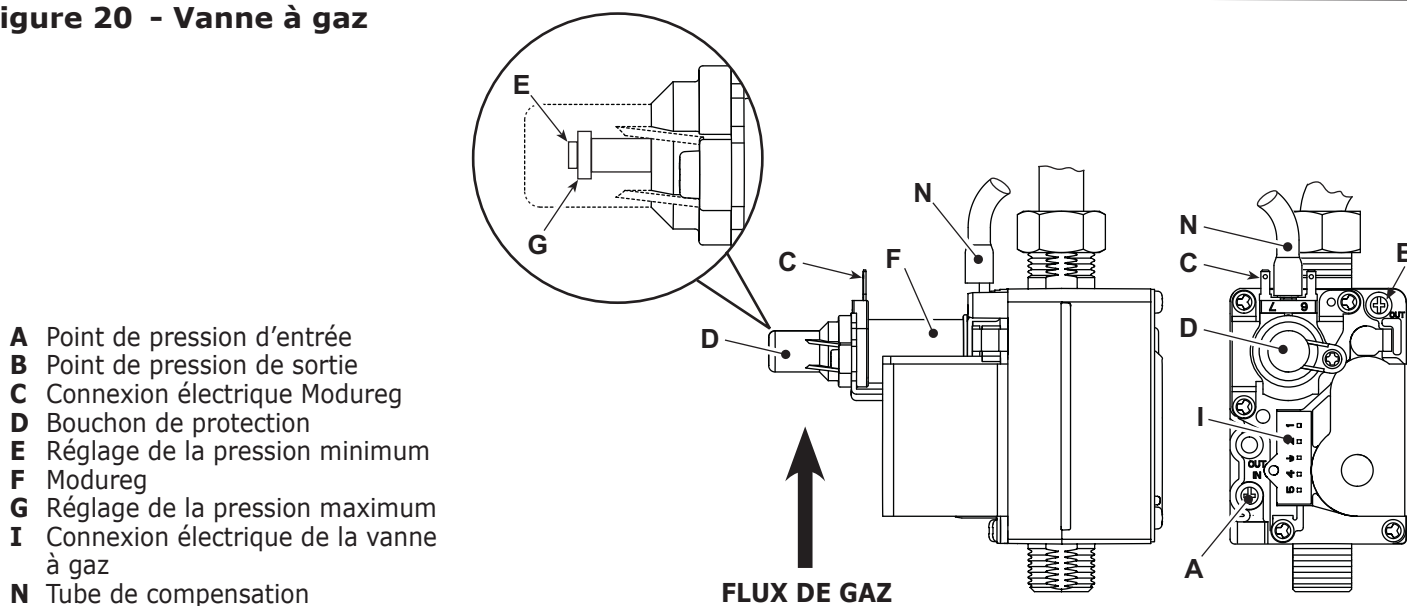


Tableau 7 -Tableau de combustion

Combustion Minimum/Maximum	
Gaz naturel	
Flamme vive - CO ₂ at 100 (%)	7.3 - 7.8
Flamme basse - CO ₂ at 33 (%)	3.0 - 5.0

Figure 20 - Vanne à gaz



- A Point de pression d'entrée
- B Point de pression de sortie
- C Connexion électrique Modureg
- D Bouchon de protection
- E Réglage de la pression minimum
- F Modureg
- G Réglage de la pression maximum
- I Connexion électrique de la vanne à gaz
- N Tube de compensation



⚠ AVERTISSEMENT

Le non-respect de ces instructions peut exposer à un incendie ou une explosion susceptible d'entraîner des dommages matériels, des lésions corporelles, voire la mort.

- Cet appareil est équipé d'un dispositif d'allumage qui allume automatiquement le brûleur. **N'essayez PAS d'allumer le brûleur à la main.**
- Avant la mise en service, vérifiez s'il y a une odeur de gaz autour de l'appareil. Veillez à le vérifier près du plancher car certains gaz sont plus lourd que l'air et stagnent au niveau du sol.
- **Utilisez uniquement vos mains pour tourner la vanne d'arrêt de gaz.** N'utilisez jamais d'outils. Si la vanne ne tourne pas à la main, ne faites aucune tentative de réparation et appelez un technicien d'entretien qualifié. L'usage de la force ou une tentative de réparation peut être à l'origine d'un incendie ou d'une explosion.
- **N'utilisez pas cet appareil si une de ses pièces a été sous l'eau.** Appelez immédiatement un technicien d'entretien qualifié pour inspecter l'appareil et remplacez les pièces du système de commande et toute commande de gaz ayant été sous l'eau.

10.1 INSTRUCTIONS D'UTILISATION

Stop ! Lisez les consignes de sécurité ci-dessus.

- Réglez le thermostat sur le niveau le plus bas.
- **Mettez l'appareil hors tension.**
- Cet appareil est équipé d'un dispositif d'allumage qui allume automatiquement le brûleur. **N'essayez PAS d'allumer le brûleur à la main !**
- Tournez la vanne  d'arrêt à gaz en position fermée. La manette doit être perpendiculaire au tuyau de gaz.
- Attendez 5 minutes pour que tout le gaz s'évacue. Vérifiez s'il y a une odeur de gaz, à proximité du sol également. En cas d'odeur de gaz, **STOP !** Suivez les instructions données dans cette page : « **Que faire en cas d'odeur de gaz** » En l'absence d'odeur de gaz, passez à l'étape suivante.
- Tournez la vanne  d'arrêt à gaz en position ouverte. La manette doit être parallèle au tuyau de gaz.
- Mettez l'appareil sous tension.
- Réglez le thermostat au niveau voulu.
- Si l'appareil ne marche pas, suivez les instructions **POUR COUPER L'ARRIVÉE DE GAZ À L'APPAREIL** et appelez votre technicien d'entretien ou votre fournisseur de gaz.

⚠ ATTENTION

QUE FAIRE EN CAS D'ODEUR DE GAZ

- Ne tentez pas d'allumer un quelconque appareil.
- Ne touchez aucun interrupteur électrique ; n'utilisez aucun téléphone dans votre bâtiment.
- Appelez immédiatement votre fournisseur de gaz à partir du téléphone d'un voisin. Suivez les instructions du fournisseur de gaz.
- Si vous ne parvenez pas à contacter votre fournisseur, appelez les pompiers.

10.2 POUR COUPER L'ARRIVÉE DE GAZ À L'APPAREIL


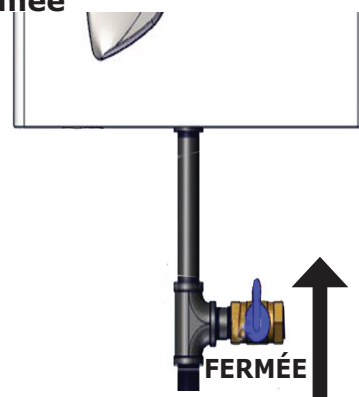
- Réglez le thermostat sur le niveau le plus bas.
- Mettez l'appareil hors tension lorsque l'entretien doit être effectué.
- Tournez la manette de la vanne  d'arrêt à gaz en position fermée. La manette doit être perpendiculaire au tuyau de gaz.

Figure 21 Vanne d'arrêt de gaz - position ouverte



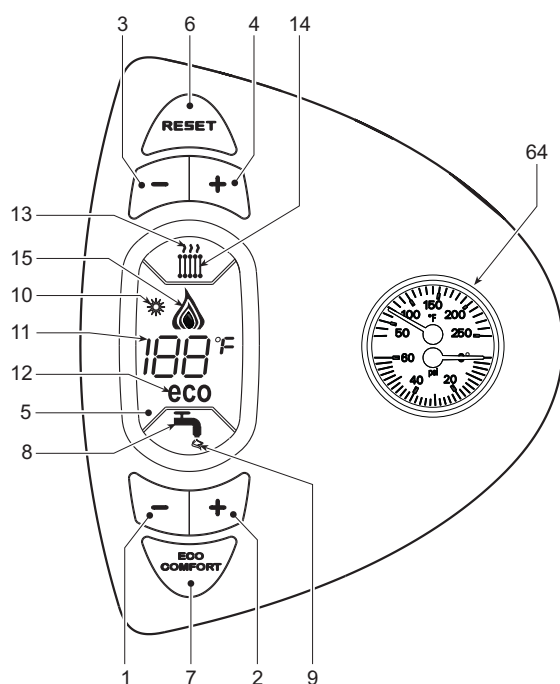
Figure 22 Vanne d'arrêt de gaz - position fermée



10.3 Contrôles pendant le fonctionnement

- La chaudière est conçue pour être raccordée à un ballon extérieur pour la production d'eau chaude (en option). Toutes les fonctions pour la production d'eau chaude sanitaire sont actives uniquement si le ballon d'eau optionnel est raccordé.
- Vérifiez s'il y a des fuites dans les systèmes de tuyauterie. Réparez-les immédiatement le cas échéant.
- Vérifiez l'efficacité des conduits de gaz de combustion et d'air de combustion pendant le fonctionnement de la chaudière.
- Contrôlez si l'eau circule normalement à travers la chaudière et les systèmes.
- Vérifiez si la vanne à gaz module correctement pendant les cycles de chauffage et de production d'eau chaude.
- Vérifiez que la chaudière s'allume correctement en l'allumant et en l'éteignant avec le thermostat d'ambiance.
- Contrôlez que les paramètres sont programmés correctement et effectuez les réglages personnalisés nécessaires (courbe de compensation, puissance, températures, etc.).

10.4 Tableau des commandes



Repère

- 1 = Bouton de diminution du réglage de la température de l'ECS
- 2 = Bouton d'augmentation du réglage de la température de l'ECS
- 3 = Bouton de diminution du réglage de la température de l'installation de chauffage - CC
- 4 = Bouton d'augmentation du réglage de la température de l'installation de chauffage - CC
- 5 = Afficheur
- 6 = Sélection du mode Été/Hiver - Bouton Reset (réinitialisation)
- 7 = Marche/Arrêt - Bouton de sélection du mode Économie/Confort
- 8 = Symbole ECS
- 9 = Mode ECS
- 10 = Mode Été
- 11 = Multifonction - Température
- 12 = Mode Eco (Économie)
- 13 = Chauffage

- 14 = Symbole du chauffage
- 15 = Brûleur en marche et puissance réelle
- 64 = C.C. Thermomètres et manomètres

10.5 Indicateur pendant le fonctionnement

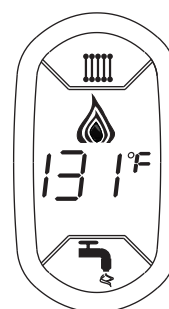
Chauffage

L'appel de chaleur (généré par le thermostat d'ambiance) est indiqué par le témoin d'air chaud clignotant au-dessus du symbole du radiateur sur la commande.



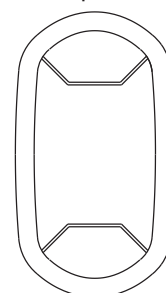
Eau chaude

Si le capteur du ballon optionnel est installé, l'appel d'eau chaude est indiqué par le témoin d'eau chaude clignotant sous le robinet sur la commande.



10.6 Allumage et extinction

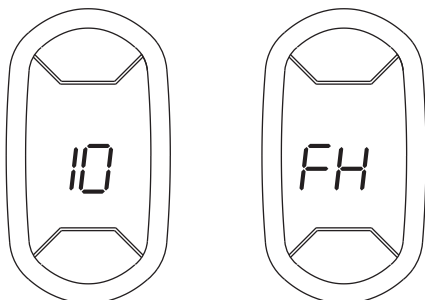
ABSENCE de courant électrique vers la chaudière



Le système antigel ne fonctionne pas lorsque le courant et/ou le gaz alimentant l'appareil sont coupés. Pour éviter les dommages provoqués par le gel pendant de longues périodes d'inactivité en hiver, il est conseillé de vidanger toute l'eau de la chaudière, du circuit d'ECS et de l'installation ou de purger uniquement le circuit d'ECS et d'ajouter un antigel adapté dans l'installation de chauffage. Voir la section 5,3, page 54.

Allumage de la chaudière

Mettez l'appareil sous tension.



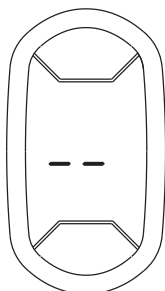
Allumage de la chaudière

L'afficheur indique FH pendant 120 secondes, ce qui identifie le cycle de ventilation d'air pour l'installation de chauffage. Pendant les 5 premières secondes, l'afficheur indique également la version de logiciel de la carte.

Ouvrez la vanne à gaz avant la chaudière. Lorsque FH disparaît, la chaudière est prête à se mettre automatiquement en marche lorsque le capteur de ballon indirect ou le thermostat d'ambiance demande de chauffer.

Extinction de la chaudière

Appuyez sur le bouton dessous (voir le repère 7 sur l'afficheur du tableau des commandes) pendant 5 secondes.

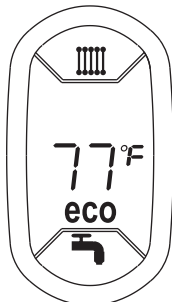


Lorsque la chaudière est éteinte, la carte électronique est toujours sous tension.

L'eau chaude sanitaire et le chauffage sont désactivés.

Le système antigel reste activé.

Pour allumer de nouveau la chaudière, appuyez de nouveau sur le bouton (voir le repère 7 sur l'afficheur du tableau des commandes) pendant 5 secondes.



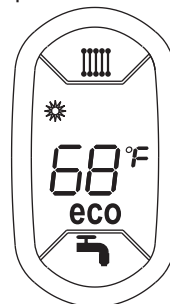
La chaudière est prête à se mettre en marche à la demande du capteur de ballon indirect ou du thermostat d'ambiance.

Commutation Été/Hiver

AVIS

L'activation de ce bouton permettra à votre chaudière de fonctionner. Vérifiez qu'il n'est pas demandé à la chaudière de satisfaire des besoins en eau chaude sanitaire (ECS).

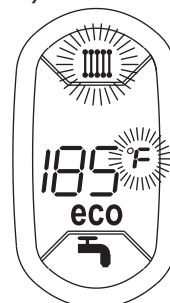
Appuyez sur le bouton pendant 2 secondes.



L'afficheur active le symbole Été (voir le repère 10 sur l'afficheur du tableau des commandes). Si le capteur du ballon optionnel est installé, la chaudière active uniquement le circuit ECS. Le système antigel reste activé. Pour éteindre le mode Été, appuyez de nouveau sur le bouton pendant 2 secondes.

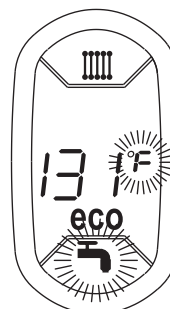
Réglage de la température de chauffage

Utilisez les boutons (voir repères 3 et 4 sur l'afficheur du tableau des commandes) pour changer la température de 30°C (86°F) minimum à 85°C (185°F) maximum ; il est conseillé de ne pas faire fonctionner la chaudière au-dessous de 45°C (113°F).



Réglage de la température de l'eau chaude sanitaire

Utilisez les boutons ECS (voir les repères 1 et 2 sur l'afficheur du tableau des commandes) pour varier la température de 10°C (50°F) minimum à 65°C (149°F) maximum.



10 - INSTRUCTIONS D'UTILISATION

Exclusion du ballon d'eau chaude (économie)

Le maintien de la température du ballon d'eau chaude/ chauffage peut être exclu par l'utilisateur. S'il est exclu, la production d'eau chaude sanitaire n'aura pas lieu.

Le ballon d'eau chaude peut être désactivé par l'utilisateur (mode ECO) en appuyant sur le bouton ECO/CONFORT (repère 7 - afficheur du tableau des commandes). En mode ECO, l'afficheur active le symbole ECO (repère 12 - sur l'afficheur du tableau des commandes). Pour activer le mode CONFORT, appuyez de nouveau sur le bouton ECO/CONFORT (repère 7 - sur l'afficheur du tableau des commandes).

Température évolutive

- Lorsque la sonde extérieure en option est installée, le système de commande de la chaudière fonctionne avec « température évolutive ». Dans ce mode, la température de l'installation de chauffage est contrôlée en fonction des conditions atmosphériques extérieures afin d'assurer un grand confort et des économies d'énergie tout au long de l'année.
- Lorsque la température extérieure augmente, la température de départ de l'installation diminue selon une « courbe de compensation » spécifique.
- Avec le réglage de la température évolutive, la température réglée avec les boutons de chauffage (repères 3 et 4 sur l'afficheur du tableau des commandes) devient la température maximum de départ de l'installation.
- Le fabricant recommande de régler la valeur maximale pour permettre le réglage de l'installation sur toute sa plage de travail utile.
- La chaudière doit être réglée au moment de son installation par un technicien d'entretien qualifié. Les réglages peuvent être effectués par l'utilisateur pour améliorer le confort.

Courbe de compensation et décalage de la courbe

Appuyez une fois sur le bouton (voir le repère 6 sur l'afficheur du tableau des commandes) pendant 5 secondes pour afficher la courbe de compensation réelle, qui peut être modifiée avec les boutons ECS (voir les repères 1 et 2 sur l'afficheur du tableau des commandes).

Réglez la courbe nécessaire de 1 à 10 en fonction de la caractéristique.

En réglant la courbe sur 0, le réglage de la température évolutive est désactivé.

Courbe de compensation



Appuyez sur les boutons de chauffage (voir les repères 3 et 4 sur l'afficheur du tableau des commandes) pour accéder au décalage de la courbe parallèle modifiable avec les boutons ECS (voir les repères 1 et 2 sur l'afficheur du tableau des commandes).

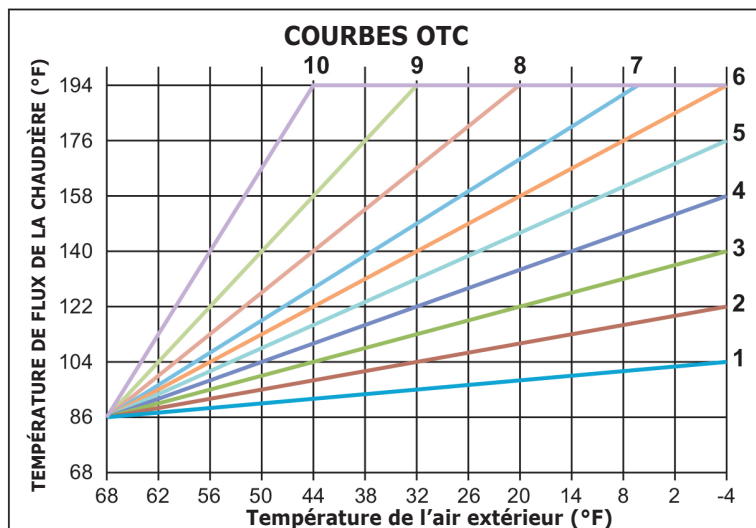
Déplacement de la courbe parallèle



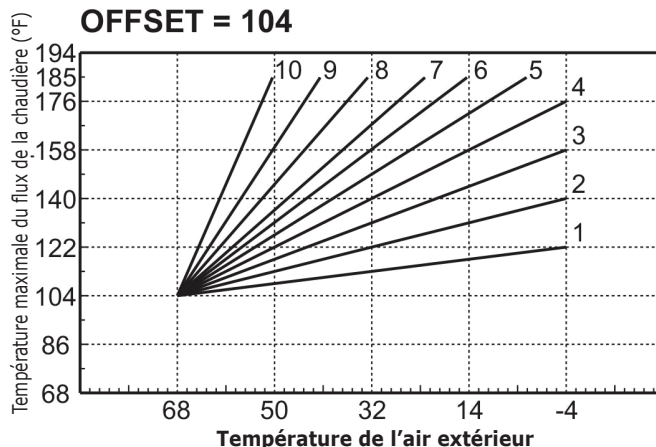
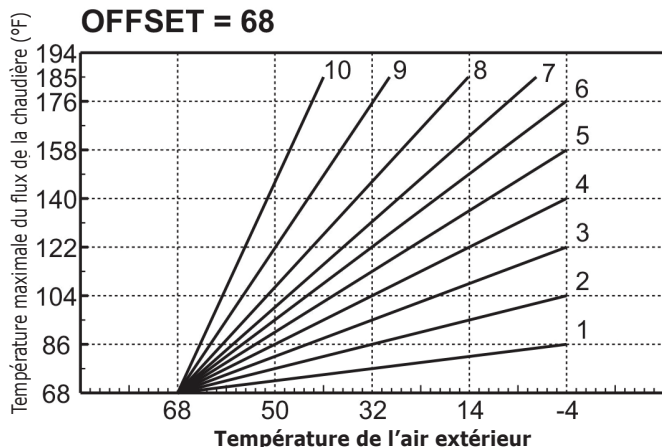
10 - INSTRUCTIONS D'UTILISATION

Appuyez de nouveau sur le bouton (voir le repère 6 sur l'afficheur du tableau des commandes) pendant 5 secondes pour sortir du mode de réglage de la courbe parallèle. Si la température ambiante est inférieure à la valeur requise, il est conseillé de régler une courbe d'ordre supérieur et vice-versa. Continuez en augmentant ou en diminuant d'une unité à la fois et contrôlez le résultat dans la pièce.

Courbes de compensation



Courbes de compensation



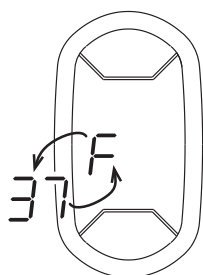
Réglage de la température de chauffage	Ce réglage peut être effectué sur le tableau des commandes de la chaudière.
Réglage de la température de l'eau chaude domestique	Ce réglage peut être effectué sur le tableau des commandes de la chaudière.
Commutation été/hiver	Le mode été a la priorité sur toute demande de chauffage possible.
Sélection Éco/Confort	En désactivant ECS dans le menu, la chaudière sélectionne le mode Économie. Dans cet état, la touche 7 de l'afficheur du tableau des commandes est désactivé.
	En activant ECS dans le menu, la chaudière sélectionne le mode Confort. Dans cet état, il est possible de sélectionner un des deux modes avec la touche 7 de l'afficheur du tableau des commandes.
Température évolutive	La carte de la chaudière commande le réglage de la température évolutive : la température évolutive de la carte de la chaudière a la priorité.

Réglage de la pression eau installation

La pression de remplissage avec l'installation froide mesurée par l'indicateur de niveau d'eau doit être d'environ 11 psi.

Si la pression de l'installation chute à des valeurs au-dessous du minimum, la commande de chaudière active l'erreur F37.

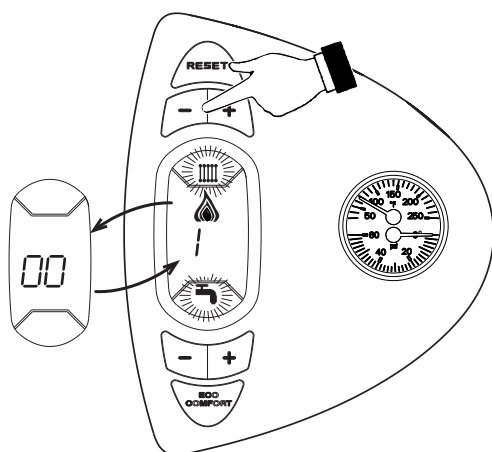
Erreur pression basse dans l'installation



Lorsque la pression de l'installation est rétablie, la chaudière active le cycle de ventilation de 120 secondes indiquée sur l'affichage par FH.

Mode TEST (puissance de chauffage = 100 %)

Appuyez simultanément sur les boutons de chauffage pendant 5 secondes pour activer le mode TEST. La chaudière s'allume à la puissance de chauffage maximale réglée comme décrit dans le paragraphe suivant. Les symboles de l'eau du robinet et de chauffage clignotent sur l'afficheur ; la puissance de chauffage et la puissance d'allumage apparaissent également.



Pour désactiver le mode TEST, répétez les mêmes opérations que pour l'activer.

11 - ENTRETIEN GÉNÉRAL ET NETTOYAGE

11.1 Début de saison de chauffage

- Contrôlez que la surface de la chaudière soit exempte de matériaux de combustible, de gasoil et de toute autre vapeur et liquide inflammable.
- Inspectez visuellement que l'air de combustion et la tuyauterie d'évent fonctionnent correctement. Contrôlez l'absence de toute obstruction au niveau de l'écoulement de l'air de combustion ou des gaz évacués. Réparez ou remplacez immédiatement tout tuyau présentant des traces de détérioration ou des fuites. Procédez au remontage conformément aux instructions données à la section 6. Veillez à remonter et à sceller de nouveau correctement l'installation.
- Testez le fonctionnement de la soupape de sécurité. Consultez les consignes du fabricant de la soupape fournies avec la soupape de sécurité.
- Examinez les canalisations d'évacuation de fumée dans l'échangeur de chaleur, le brûleur et nettoyez-les (si nécessaire) conformément aux instructions données au paragraphe « Inspection annuelle et nettoyage des éléments de la chaudière » dans cette section.
- La pompe de circulateur et le moteur de la soufflerie d'air de combustion fournis avec la chaudière sont lubrifiés en permanence en usine et ne requièrent aucune autre lubrification. Lubrifiez les pompes et/ou les moteurs installés sur place conformément aux consignes du fabricant des pompes et/ou moteurs.
- Contrôlez que les éléments suivants fonctionnent correctement et ne soient pas bloqués ni obstrués :
 - évent d'air.
 - contrôlez que l'arrivée d'air ne soit pas obstruée et la nettoyer le cas échéant.
 - contrôlez qu'il n'y ait aucune fuite.
 - Contrôlez le vase d'expansion de l'installation de chauffage.
 - Contrôlez la tubulure de pression d'air.

11.2 Procédure d'arrêt annuelle

- Suivez les instructions pour « Couper l'alimentation en gaz de l'appareil » sauf si la chaudière est également utilisée pour fournir de l'eau chaude sanitaire. Voir la section 10, page 70.
- Purgez entièrement l'installation si elle ne contient pas d'antigel lorsque l'installation de chauffage reste hors service pendant la période de gel.

AVERTISSEMENT

Les opérations d'entretien suivantes doivent être effectuées par un technicien d'entretien qualifié. Le propriétaire de la chaudière ne doit tenter aucune de ces opérations. Le non-respect de ces instructions peut causer de graves lésions ou la mort.


11.3 Inspection annuelle et nettoyage des éléments de la chaudière

- Inspection et nettoyage du brûleur et de l'échangeur de chaleur.
 - Éliminez toute trace résiduelle de sédiment à l'aide d'un aspirateur doté d'un embout.

12 - RENDEMENTS ET CAPACITÉS

Données	Unité	CHB100	CHB130	CHB150
Catégorie de chaudière		Catégorie I-III	Catégorie I-III	Catégorie I-III
Type de gaz		Gaz naturel	Gaz naturel	Gaz naturel
Entrée maximum 0 - 2000 pieds (0 - 610 m)	Btu/h	100000	130000	150000
	kW	29,3	38,2	44.0
Entrée maximale 2000-4500 pieds (610 - 1 372 m)	Btu/h	90000	117000	135000
	kW	26,4	34,3	39.6
Entrée minimale 0-2000 pieds (0 - 610 m)	Btu/h	31500	43500	50.000
	kW	9,3	12,8	14.7
Entrée minimale 2000-4500 pieds (610 - 1 372 m)	Btu/h	28300	39000	45000
	kW	8,3	11,5	13.2
Pression d'alimentation de gaz max.	"wc (colonne d'eau)	10,5	10,5	10.5
	kPa	2,61	2,61	2.61
Pression d'alimentation de gaz min.	"wc (colonne d'eau)	3,5	3,5	3.5
	kPa	0,87	0,87	0.87
Entrée max. pression de gaz dans le collecteur	"wc (colonne d'eau)	5,22	4,82	5.22
	kPa	1,3	1,2	1.3
Entrée min. pression de gaz dans le collecteur	"wc (colonne d'eau)	0,59	0,59	0.6
	kPa	0,15	0,15	0.15
Capacité de chauffage DOE	Btu/h	85000	110000	127000
	kW	24,9	32,2	37.2
Rendement AHRI net	Btu/h	73000	96000	110000
	kW	21,4	28,1	32.2
Entrée électrique	A	120 V/60 Hz/<12 A	120 V/60 Hz/<12 A	120 V/60 Hz/<12 A
Taille orifice 0 - 4500 pieds (0 - 1 676 m)		1,35 mm	1,35 mm	1.35
PSMA EAU	PSI	43,5	43,5	43.5
TEMP. EAU MAX.	°F	195°F	195°F	230°F
Type de gaz		Propane	Propane	Propane
Entrée maximale propane 0 -2000 pieds (0 - 6 m)	Btu/h	100000	130000	150000
	kW	29,3	38,2	44.0
Entrée minimale propane 2000-4500 pieds (0 - 6 m)	Btu/h	36000	49000	55500
	kW	10,6	14,4	16.3
Entrée maximale propane 2000 -4500 pieds (610 - 1 372 m)	Btu/h	90000	117000	135000
	kW	26.4	34.3	39.6
Entrée minimale propane 2000 -4500 pieds (610 - 1 372 m)	Btu/h	36000	49000	55500
	kW	10.6	14.4	16.3

Tableau 8 - Cotes niveau de la mer

 COTES NIVEAU DE LA MER GAZ NATUREL ET PROPANE					
Taille	Taux d'entrée chaudière (MBH) ⁽¹⁾		Capacité de chauffage (MBH) ⁽¹⁾⁽²⁾	Rendement AHRI net, eau (MBH) ⁽¹⁾⁽³⁾	AFUE ⁽²⁾
	Maximum	Minimum			
CHB-100	100	31,5	85	73,0	85
CHB-130	130	43,5	110	96,0	85
CHB-150	150	50.0	130	110.0	85

⁽¹⁾ 1000 Btu/h (unités thermiques britanniques par heure)

⁽²⁾ La capacité de chauffage et l'efficacité de l'utilisation annuelle de combustible (AFUE) reposent sur les procédures de test du Ministère de l'Énergie.

⁽³⁾ Rendements AHRI nets basés sur une tolérance pour la tuyauterie et la collecte de 1.15. Contactez l'Assistance technique avant de choisir la chaudière pour Installations ayant des spécifications inhabituelles pour la tuyauterie et la collecte, telles que fonctionnement de système intermittent, systèmes de tuyauterie extensifs, etc.

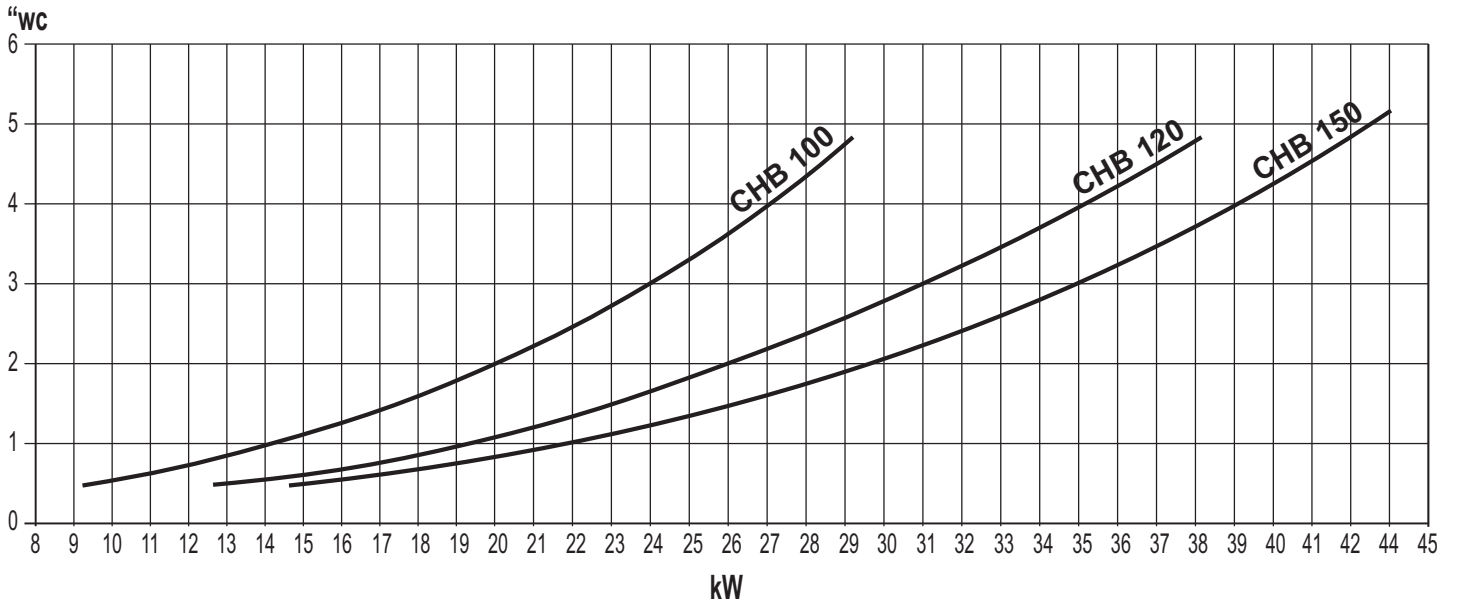
12.1 Rendements et capacités

- Construits et testés hydrostatiquement pour une pression de service maximale admissible de 43,5 psig (livres au pouce carré) 43,5 psig (0,30MPa) conformément au Code ASME relatif aux chaudières et aux cuves à pression, Section IV, règles de construction pour les chaudières.
- USA - Les débits d'entrée sont réduits de 4 % tous les 300 m (1000 ft) au-dessus du niveau de la mer, au-delà de 600 m (2000 ft).
- CANADA - Rendements dans le tableau 8 utilisés pour des altitudes jusqu'à 600 m (2000 ft) au dessus du niveau de la mer.
 - Pour des altitudes entre 600 m (2000 ft) et 1 350 m (4500 ft), réduire de 10 % à l'aide du kit haute altitude.
 - Contactez l'organisme provincial compétent pour les installations au-dessus de 1 350 m (4500 ft) au-dessus du niveau de la mer.

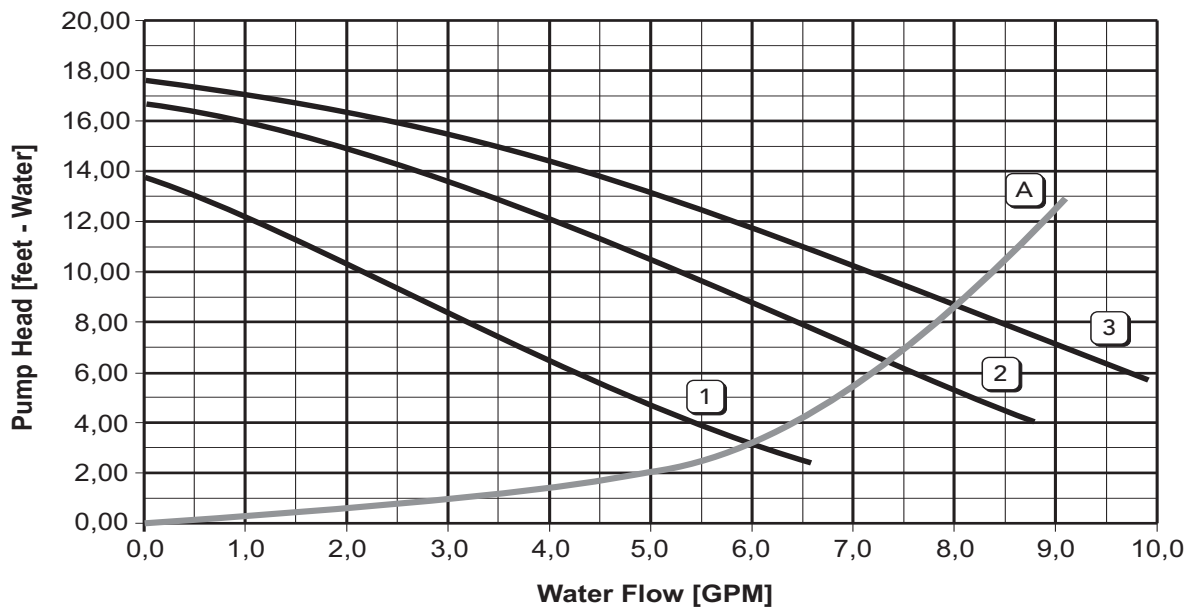
Schémas

Diagrammes pression - puissance

Colonne d'eau pression de gaz dans collecteur



Pertes de charge / tête de circulateurs



A Pertes de charge de la chaudière
 Vitesses des circulateurs 1 - 2 - 3

13 - PANNES

Diagnostic

La chaudière est équipée d'un système d'autodiagnostic sophistiqué. En cas de dysfonctionnement de la chaudière, l'écran clignote et affiche le code d'erreur.

Certaines anomalies provoquent l'arrêt permanent (signalées par la lettre « **A** ») : pour rétablir le fonctionnement, appuyez simplement sur le bouton RESET pendant 1 seconde ou RESET ; si la chaudière ne démarre pas, il faut éliminer auparavant le défaut.

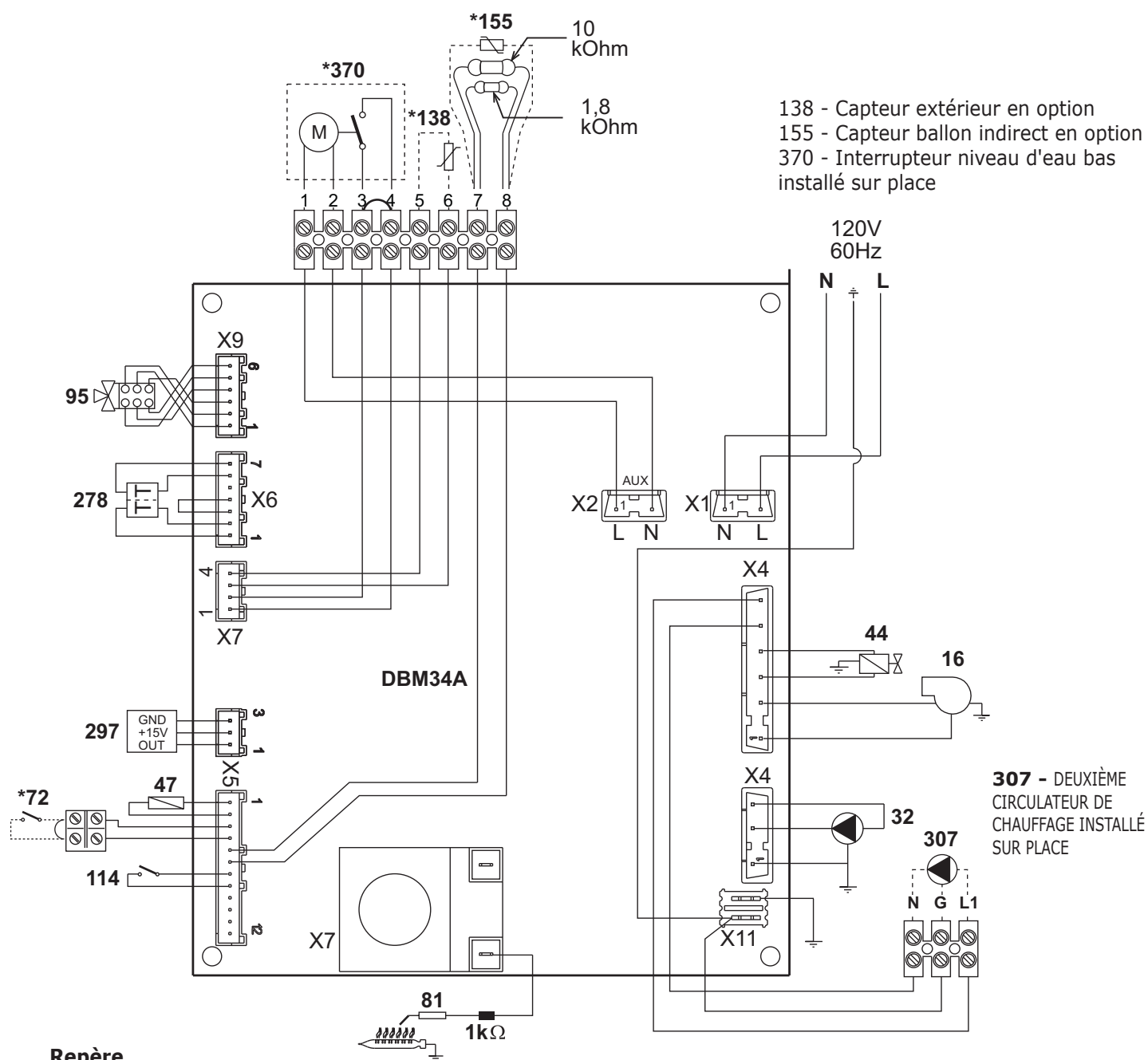
D'autres anomalies (signalées par la lettre « **F** ») peuvent provoquer des arrêts qui sont automatiquement réinitialisés dès que la valeur retourne dans la plage de travail normale de la chaudière.

Diagramme des pannes

- Liste des défauts

Code d'erreur	Code	Cause possible	Remède
A01	Le brûleur ne s'allume pas	Pas de gaz	Contrôlez que le gaz s'écoule normalement vers la chaudière et que l'air a été éliminé des tuyaux
		Anomalie électrode d'allumage/de détection	Contrôlez le câblage de l'électrode, qu'il est posé correctement et exempt de dépôts
		Vanne à gaz défectueuse	Contrôlez la vanne à gaz et remplacez-la si nécessaire
		Puissance d'allumage trop faible	Réglez la puissance d'allumage
A02	Signal de présence de flamme avec brûleur à l'arrêt	Défaillance électrode	Contrôlez le câblage de l'électrode d'ionisation
		Anomalie carte	Contrôlez la carte
A03	Activation protection surtempérature	Capteur de chauffage endommagé	Contrôlez le positionnement et le fonctionnement du capteur de chauffage
		Pas de circulation d'eau dans l'installation	Contrôlez la pompe de circulation
		Air dans l'installation	Purgez l'installation
F05	Le transducteur de pression de l'air ne reçoit pas une valeur minimum suffisante en l'espace de 25 secondes	Câblage incorrect du transducteur de pression de l'air	Contrôlez le câblage
		Canalisation n'ayant pas la bonne dimension ou obstruée	Contrôlez la longueur de la canalisation et qu'elle soit propre
A06	Aucune flamme après la phase d'allumage	Pression basse dans l'installation de gaz	Contrôlez la pression de gaz
		Réglage de la pression minimum du brûleur	Contrôlez les pressions
F10	Anomalie capteur 1	Capteur endommagé	Contrôlez le câblage ou remplacez le capteur
		Câblage en court-circuit	
		Câblage débranché	
F11	Anomalie capteur ECS	Capteur endommagé	Contrôlez le câblage ou remplacez le capteur
		Câblage en court-circuit	
		Câblage débranché	
F14	Anomalie capteur 2	Capteur endommagé	Contrôlez le câblage ou remplacez le capteur
		Câblage en court-circuit	
		Câblage débranché	
A15	Activation de la protection signal d'air	Anomalie F05 s'étant déclenchée 5 fois au cours des 15 dernières minutes	Voir l'anomalie F05
F34	Tension d'alimentation inférieure à 85 V.	Défaillance courant électrique	Contrôlez le circuit électrique
F35	Anomalie fréquence	Défaillance courant électrique	Contrôlez le circuit électrique
F37	Pression d'eau de l'installation incorrecte	Pression trop basse	Remplissez l'installation
		Capteur endommagé	Contrôlez le capteur
F39	Anomalie sonde extérieure	Sonde endommagée ou court-circuit câblage	Contrôlez le câblage ou remplacez le capteur
		Sonde débranchée après l'activation de la température évolutive	Rebranchez la sonde extérieure ou désactivez la température évolutive
A41	Positionnement du capteur	Contrôlez le capteur détaché du tuyau	Contrôlez le positionnement et le fonctionnement du capteur de chauffage en mode chauffage
F42	Anomalie capteur de chauffage	Capteur endommagé	Remplacez le capteur
F43	Activation protection échangeur.	Pas de circulation d'H ₂ O dans l'installation	Contrôlez la pompe de circulation
		Air dans l'installation	Purgez l'installation
A44	Positionnement du capteur	Contrôlez le capteur détaché du tuyau	Contrôlez le positionnement et le fonctionnement du capteur de chauffage en mode sanitaire
A48	Activation de la protection signal d'air	Anomalie F05 pendant 150 secondes	Voir l'anomalie F05
F50	Anomalie régulateur de modulation	Câblage débranché	Contrôlez le câblage
F51	Avertissement interrupteur niveau d'eau bas	Pression trop basse	Remplissez l'installation
		Interrupteur niveau d'eau bas endommagé	Contrôlez le contact

SCHEMA DE CÂBLAGE



138 - Capteur extérieur en option
 155 - Capteur ballon indirect en option
 370 - Interrupteur niveau d'eau bas installé sur place

120V
 60Hz

307 - DEUXIÈME CIRCULATEUR DE CHAUFFAGE INSTALLÉ SUR PLACE

Repère

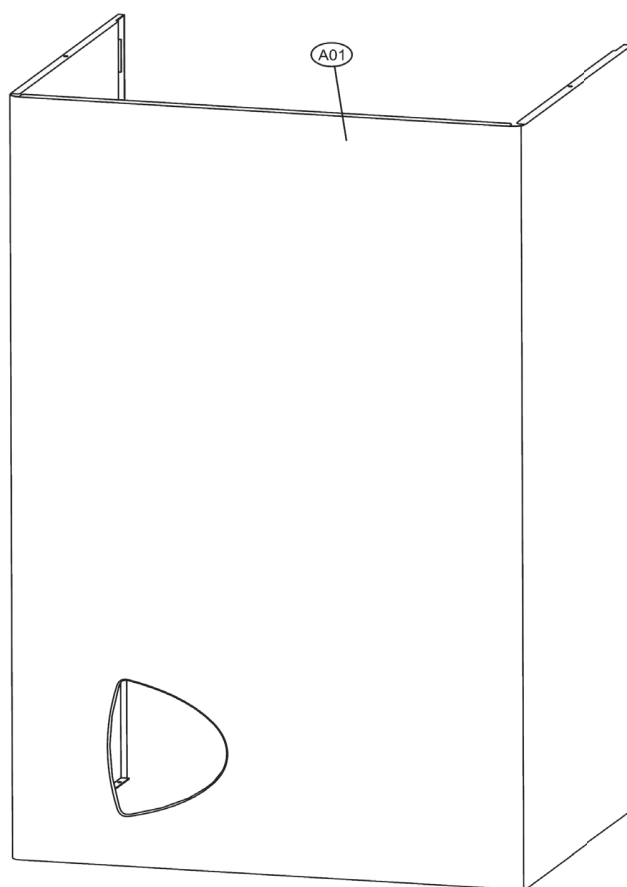
- 16** Ventilateur modulable
- 32** Pompe de circulation de chauffage
- 42** Capteur de température ECS (voir le kit)
- 44** Vanne à gaz
- 47** Régulateur par modulation (24 V)
- *72** Thermostat d'ambiance (fournie sur place)
- 81** Électrode d'allumage/détection
- 114** Commutateur pression d'eau
- 138** Capteur extérieur en option
- *155** Capteur ballon indirect en option
- 278** Double capteur (sécurité + chauffage)
- 297** Transducteur pression d'air
- 307** Deuxième circulateur de chauffage (installée sur place)
- *370** Interrupteur niveau d'eau bas - (installé sur place)

Avis

*Important:

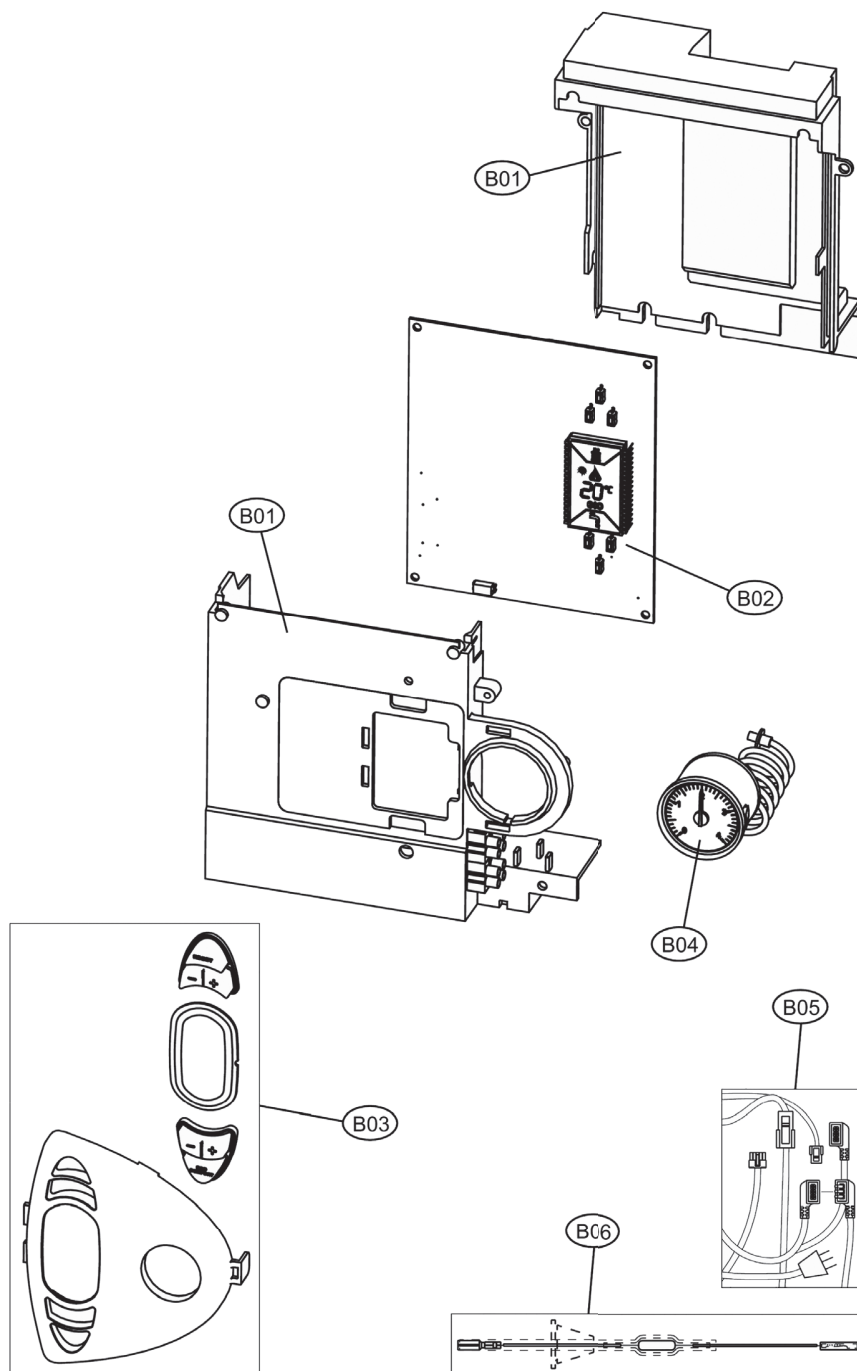
- Avant de brancher le thermostat de la pièce, enlever le couvercle sur le bloc de bornes. (Clé 72)
- Avant de brancher le capteur de réservoir indirect, enlever les deux résistances. (Clé 155)
- Avant de brancher l'interrupteur de bas niveau d'eau, enlever le couvercle sur le bloc de bornes. (Clé 370)

LISTE DES PIÈCES DÉTACHÉES - CHB



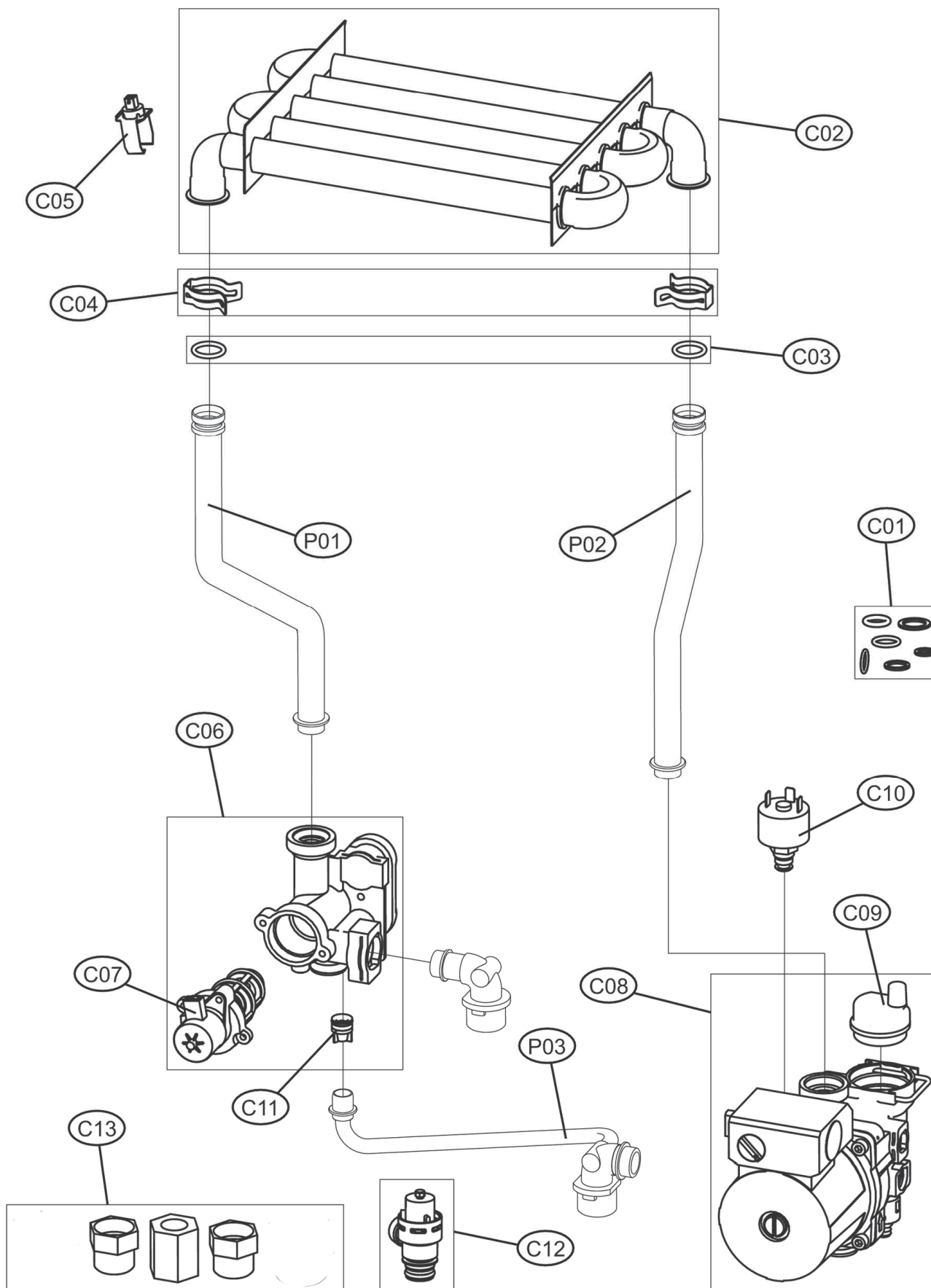
CODE	Réf.	Description	Model
A01	FE3980B830	ENVELOPPE "CTR"	CHB-100/130
A01	FE3980B990	ENVELOPPE "CTR"	CHB-150

LISTE DES PIÈCES DÉTACHÉES - CHB



CODE	Réf.	Description
B01	FE3980C200	KIT BOÎTIER DE COMMANDE
B02	FE3980B851	KIT PANNEAU DE COMMANDE DBM34A
B03	FE3980C210	KIT COUVERCLE AVANT « CTR »
B04	FE3980B840	KIT INDICATEUR PRESS. TEMP.
B05	FE3980B861	KIT CÂBLAGE
B06	FE3980C220	KIT MONO CABLE ÉL.

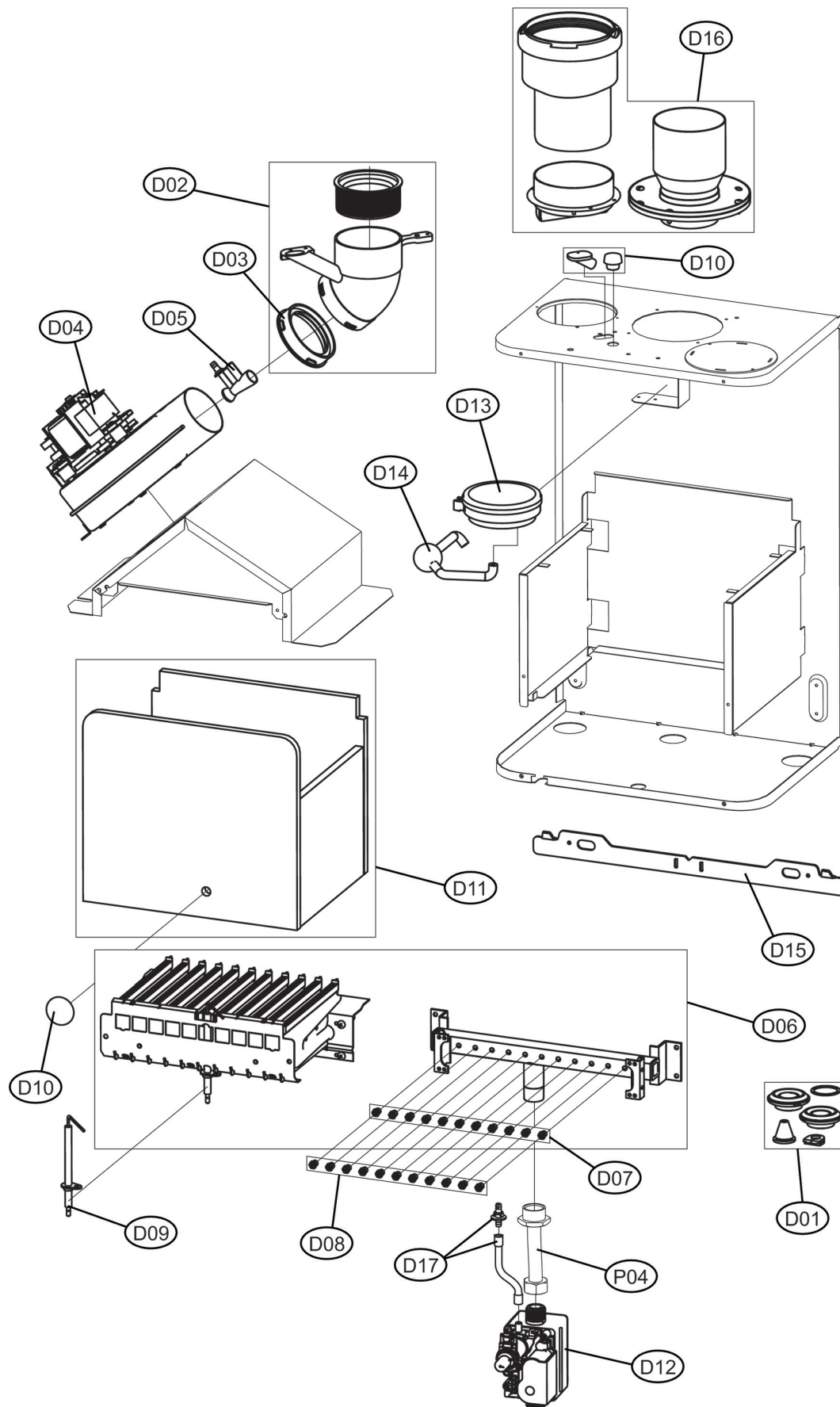
LISTE DES PIÈCES DÉTACHÉES - CHB



LISTE DES PIÈCES DÉTACHÉES - CHB

CODE	Description	Réf.		
		CHB 100	CHB 130	CHB 150
C01	KIT JEU DE JOINTS	FE3980B870	FE3980B870	FE3980C000
C02	ÉCHANGEUR DE CHALEUR MONO	FE3980C230	FE3980B880	FE3980C030
C03	KIT DE JOINTS	FE3980C010	FE3980C010	FE3980C010
C04	KIT DE CLIPS D18	FE3980C020	FE3980C020	FE3980C020
C05	CAPTEUR DE TEMP. DP	FE3980G050	FE3980G050	FE3980G050
C06	KIT VANNE 3 VOIES	FE3980C050	FE3980C050	FE3980C050
C07	KIT MOTEUR VANNE 3 VOIES TP	FE3980C060	FE3980C060	FE3980C060
C08	KIT POMPE FX3-FP	FE3980B890	FE3980B890	FE3980B890
C09	KIT SÉPARATEUR D'AIR	FE3980B900	FE3980B900	FE3980B900
C10	KIT COMMUTATEUR DE PRESSION D'EAU	FE3980C070	FE3980C070	FE3980C070
C11	KIT SOUPAPE DE DÉRIVATION X10 N/R	FE3980C080	FE3980C080	FE3980C080
C12	KIT SOUPAPE DE SÉCURITÉ 3/4"	FE3980B910	FE3980B910	FE3980B910
C13	KIT ADAPTATEURS NPT	FE3980B920	FE3980B920	FE3980B920
P01	TUYAU D'ÉCOULEMENT CHAUFFAGE CENTRAL	FE34226300	FE34226280	FE34226290
P02	TUYAU DE RETOUR CHAUFFAGE CENTRAL	FE34225470	FE34202130	FE34202290
P03	CANALISATION DE DÉRIVATION	FE3841B170	FE3841B170	FE3841B170

LISTE DES PIÈCES DÉTACHÉES - CHB



LISTE DES PIÈCES DÉTACHÉES - CHB

CODE	Description	Réf.		
		CHB 100	CHB 130	CHB 150
D01	KIT JEU DE JOINTS	FE3980B930	FE3980B930	FE3980B930
D02	KIT COUDE DE SORTIE GAZ DE COMBUSTION	FE3980C160	FE3980C160	FE3980C160
D03	JOINT DE VENTILATEUR	FE3980C100	FE3980C100	FE3980C100
D04	KIT VENTILATEUR	FE3980C250	FE3980B940	FE3980B940
D05	POINT DE TEST DE PRESSION « VENTURI	FE3980C090	FE3980C090	FE3980C090
*D06	KIT BRÛLEUR 11 R.m.	FE3980C260	FE3980C270	FE3980C130
*D07	KIT 11 INJECTEUR 1,35 mm GAZ NATUREL	FE3980C280	FE3980C290	FE3980C140
*D08	KIT 11 INJECTEUR 0,85 mm PROPANE LIQUIDE	FE3980C300	FE3980B950	FE3980C150
D09	ÉLECTRODE D'ALLUMAGE	FE3980C120	FE3980C120	FE3980C120
D10	KIT BOÎTIER PRISES	FE3980C180	FE3980C180	FE3980C180
D11	KIT ISOLATION DE LA CHAMBRE DE COMBUSTION	FE3980C310	FE3980C320	FE3980C110
D12	VANNE À GAZ VGU 54S	FE3980B960	FE3980B960	FE3980B960
D13	TRANSDUCTEUR DE PRESSION	FE3980C170	FE3980C170	FE3980C170
D14	ACCOUPLLEMENT CONDENSATION	FE3980C190	FE3980C190	FE3980C190
D15	SUPPORT MONTAGE MURAL	FE3980B970	FE3980B970	FE3980B970
D16	KIT ADAPTATEURS VENT. FM	FE3980B980	FE3980B980	FE3980B980
D17	KIT POINT DE TEST PRESSION D'AIR US (35101150)	FE3980D800	FE3980D800	FE3980D800
P04	CONDUITE DE GAZ	FE3841L460	FE3841L370	FE3841L410

* Le kit CHB 100 contient 11 éléments
 Le kit CHB 130 contient 15 éléments
 Le kit CHB 150 contient 17 éléments

Kits en option	
Description	Réf.
KIT DE CAPTEUR DE RÉSERVOIR INDIRECT	550002958
KIT DE CAPTEUR D'AIR EXTÉRIEUR	FE013018X0



2201 Dwyer Avenue, Utica, NY 13501
Tel. 800 325 5479
www.ecrinternational.com

All specifications subject to change without notice.
©2021 ECR International, Inc.