



Q90-50/75/100 Series 4

Models
Q90-50
Q90-75
Q90-100

GAS-FIRED, DIRECT VENT,
CONDENSING, HOT WATER BOILER

PARTS, KITS
AND OPTIONAL ACCESSORIES

Ordering Instructions

Order Parts through your nearest supplier.

When ordering parts, obtain Model Number and Serial Number from data plate on your boiler.

Include following information when ordering.

Part Number_____

Part Description_____

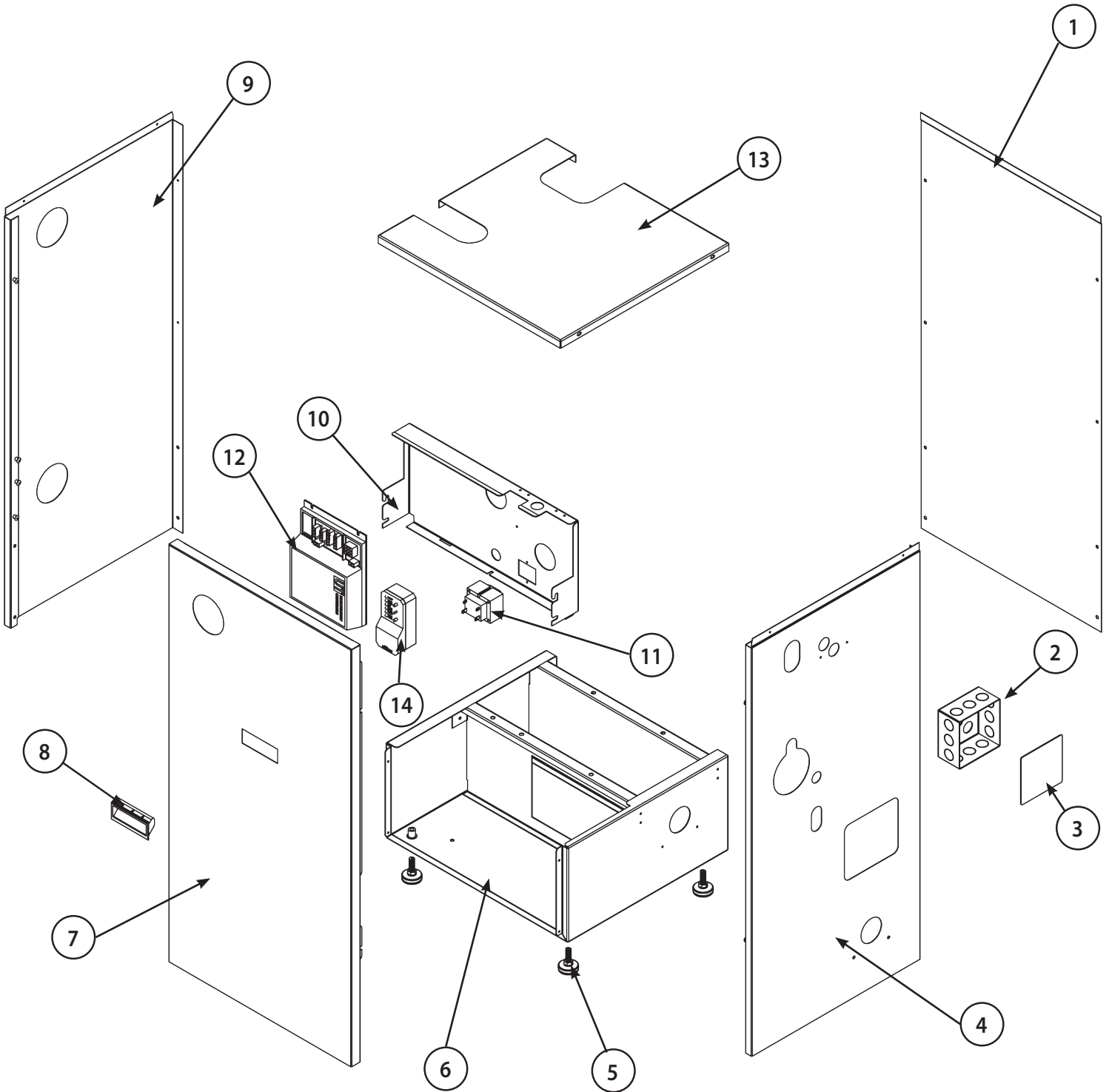
Boiler Model Number_____

Boiler Serial Number_____



Manufactured by:
ECR International Inc.
2201 Dwyer Avenue, Utica, NY 13501
Tel. 800 253 7900
www.ecrinternational.com
PN 240010122 REV. F [03/31/2018]

Jacket and Base Assembly



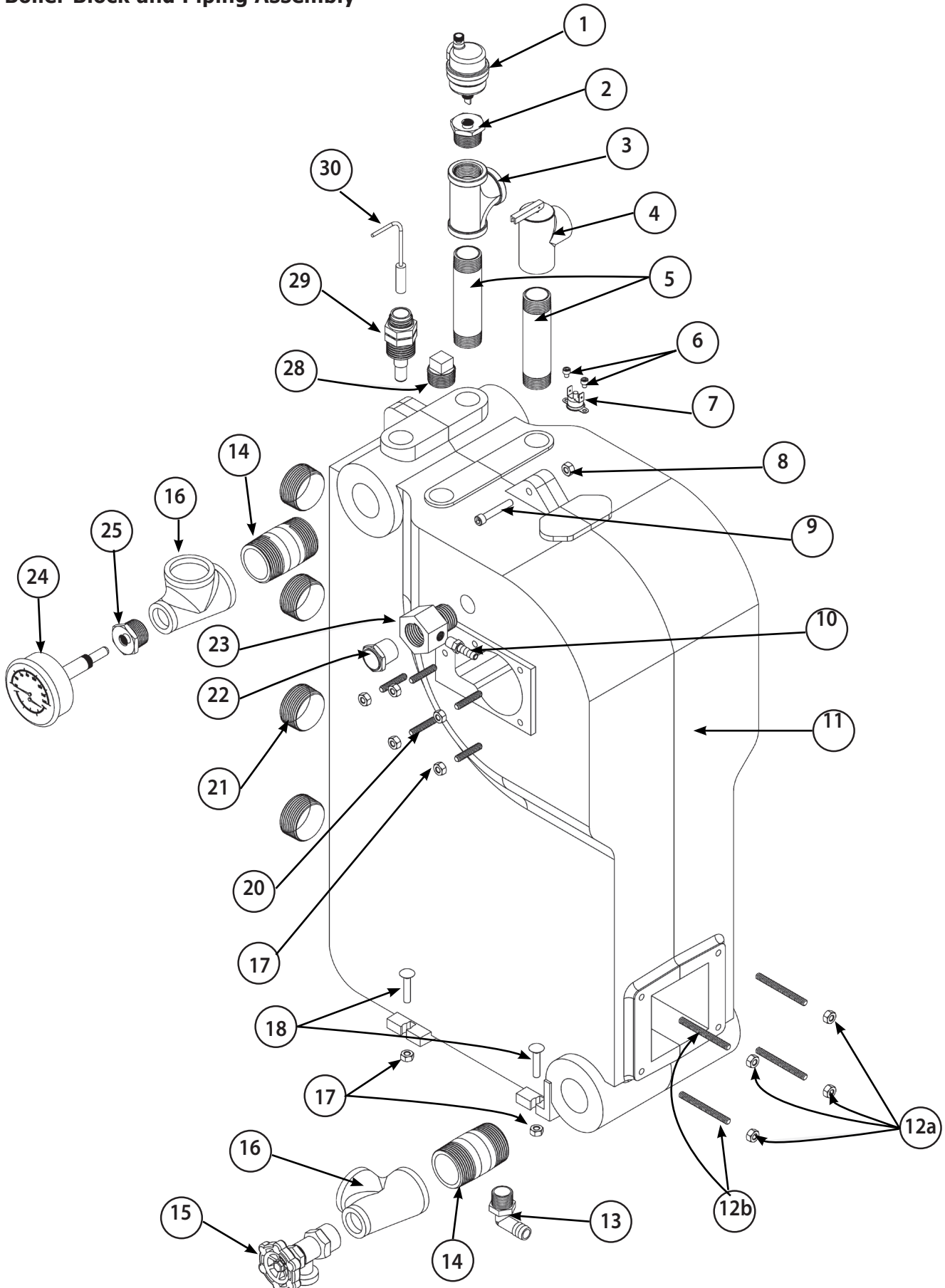
REPAIR PARTS

Jacket And Base Assembly

KEY #	DESCRIPTION	QUANTITY	ITEM NUMBER
1	BACK PANEL	1	109008720AC
2	RACO 232 4x4x2½ BOX	1	14631316
3	COVER PLATE BLANK 4" SQUARE	1	212000009
4	RIGHT PANEL	1	109008718AC
5	CO-2366 GLIDE	4	14631091
6	REPLACEMENT BASE ASSEMBLY (Includes item 5)	1	550002650
7	FRONT PANEL	1	109008717AC
8	DOOR PULL	1	28673
9	LEFT PANEL	1	109008719AC
10	CONTROL PANEL	1	109009096
11	120VAC/24VAC 40VA TRANSFORMER	1	240005330
12	UT CONTROL	1	14662803
13	TOP PANEL	1	109008732AC
14	HYDROLEVEL CONTROL	1	240010103
‡	TACO CIRCULATING PUMP	1	CI-001.03
‡	GRUNDFOS CIRCULATING PUMP	1	C1-006.01
‡	CIRCULATING PUMP HARNESS	1	240009427
‡	JACKET COMPLETE (Includes 1, 4, 8, 9, 13)	----	550002588
‡	3" CONCENTRIC VENT KIT	1	29571
‡	2" CONCENTRIC VENT KIT	1	29570

‡ - Not Shown

Boiler Block and Piping Assembly



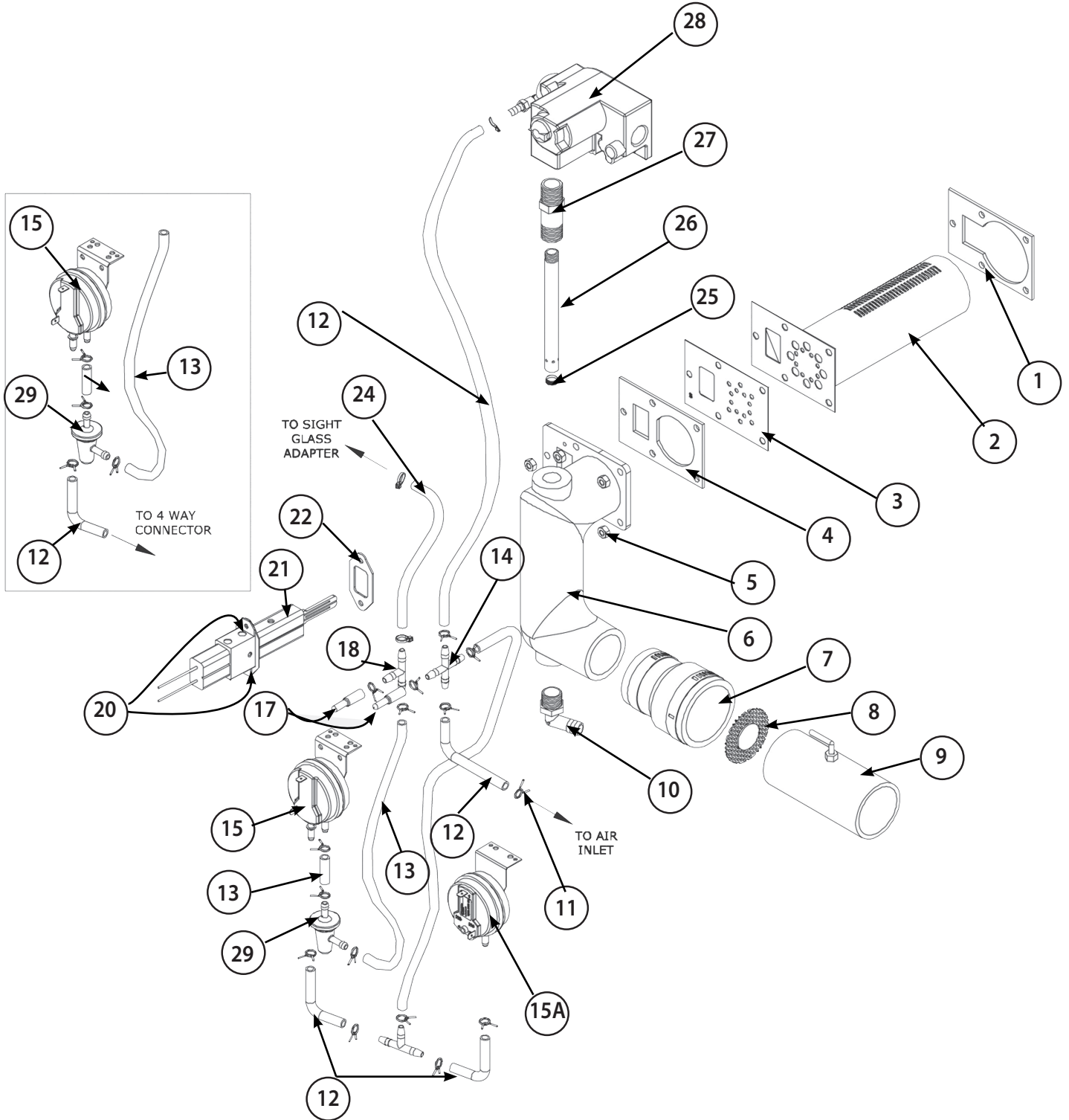
REPAIR PARTS

Boiler Block and Piping Assembly

	KEY #	ITEM NUMBER	DESCRIPTION	QTY	
550002627 INCLUDES ITEMS LISTED HERE	11	550002627	KIT BLOCK REPLACEMENT	1	
	5	14607202	NPL,3/4X4 1/2,BI,STD	2	
	6	14695802	SCR,8-32 X 3/16,RH,ALH,CAP	2	
	7	14631000	SWITCH CASTING TEMP Q90 36T26-42930 300	1	
	10	14631005	FITTING, 125HBL-4-2 1/8" X 1/4" BR.B+	1	
	12a	14695810	NUT, 1/4-20,HWS	4	
	12b	240009021	STUD, THREADED, 1/4-20 X 2-1/4	4	
	13	240009285	ELB,TBE, 1/2"NPT X 5/8" ID,HB, 62044	1	
	14	14607044	NPL,1-1/4X2-1/2,BI,STD	2	
	16	1510001	TEE,RDCR,1-1/4" X 3/4" X 1-1/4"	2	
	17	14695810	NUT, 1/4-20, HWS	13	
	18	14695040	BOLT, 1/4-20 X 1-1/4", CARRIAGE	4	
	20	14695805	STUD, THREADED, 1/4-20 X 1 1/4"	5	
	22	14619002	OBSERVATION GLASS, 3/4"	1	
	23	14631004	ADAPTER, SIGHT GLASS	1	
	**	240009284	EXHAUST SPACER BUSHING 1/4X3/8X7/8 LONG	4	
	**	240009583	GASKET, EXHAUST SPACER	4	
	**	1250010	GASKET IGNITER	1	
	**	14631023	GASKET BURNER	1	
	**	14631025	GASKET MIXER	1	
	**	14695809	SCREW, 10-32 X 3/8"	2	
	--- * NOTE: #8, 9, 21, AND 28 INSTALLED IN HEAT EXCHANGER ---				
		8*	14695810	NUT, 1/4-20,HWS	5
		9*	14695801	SCR, 1/4-20 X 1-1/2",RH,ALH,CAP	5
		21*	1395002	1-1/4 HEX SOCKET PLUG	8
		28*	1395001	3/4" SQ HD PLUG	1
		1	1580006	VENT AIR PURGE Q SERIES	1
		2	14693001	BSHG, 3/4" X 1/8",BLK	1
	3	14693076	TEE,BLK, 3/4"	1	
	4	14622011	VLV,SAFETY,RLF,30PSI,3/4,10-408-05	1	
	15	240009323	VLV,DRN,3/4,	1	
	24	1260006SP	GAUGE,TEMP/PRESS,2" SHANK	1	
	25	1060002	BUSHING, 3/4" x 1/4" BLK	1	
	29	240009283	WELL, SHORT, 1 1/2" INSRT, HL, 48-205	1	
	30	240007708	SENSOR, HIGH LIMIT, 48"	1	
	**	240008013	SENSOR MOUNTING CLIP, HW 32002656	1	

** Not Shown

Mixer and Air Pressure Switch Assembly



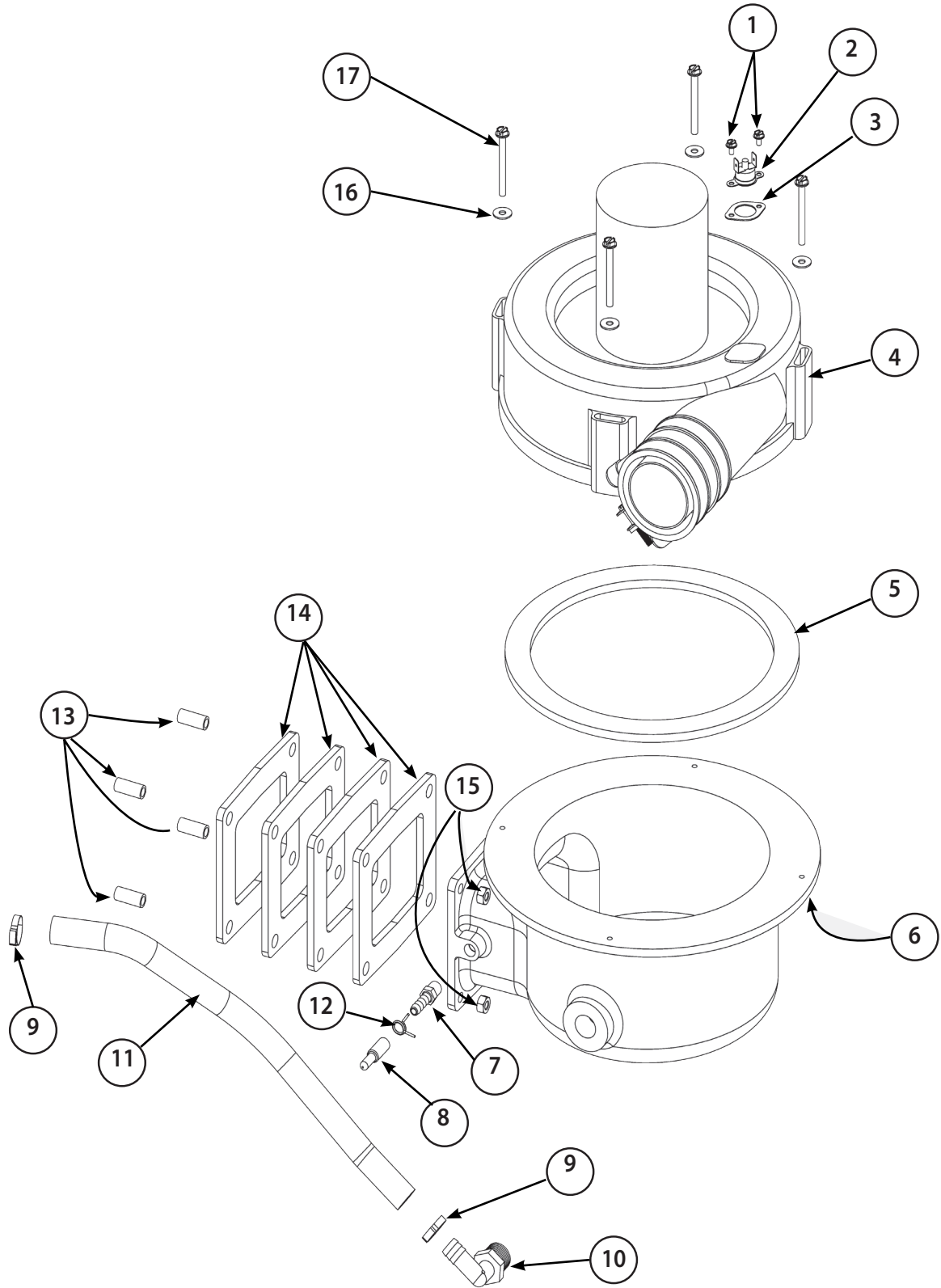
KEY #	DESCRIPTION	QUANTITY	ITEM NUMBER
1	BURNER GASKET	1	14631023
2	BURNER KIT, 90-50/75/100 NAT/LP, 0'-10,000' (Contains: 1, 2, 4,)	1	550002632
3	RESTRICTOR PLATE 90-50	1	109006405
	RESTRICTOR PLATE 90-75 NATURAL GAS	1	109006406
	RESTRICTOR PLATE 90-75 PROPANE	1	109009107
	RESTRICTOR PLATE 90-100	1	109009105

MIXER AND AIR PRESSURE SWITCH ASSEMBLY - CONTINUED

KEY #	DESCRIPTION	QUANTITY	ITEM NUMBER
4	MIXER GASKET	1	14631025
5	¼"-20 HEX NUT W/SERRATED WASHER HEAD	5	14695810
6	MIXER CASTING MACHINED	1	12101008
7	2" x 1½" FLEXIBLE COUPLING	1	14631311
8	90-100 AIR BAFFLE 1.00" DISC	1	109008977
	90-75 AIR BAFFLE 1.17" DISC	1	109008915
	90-50 AIR BAFFLE 1.55" DISC	1	109008916
9	AIR INLET	1	43800007
10	62043 ½" NPT 1/2"ID TUBE ELBOW	1	14631103
11	3/8" HOSE CLAMP HC-6ST	AS REQUIRED	14631143
12	59006 1/4" ID X 3/8" OD VINYL TUBING	AS REQUIRED	14631033
13	1/4"ID 3/8"OD VINYL TUBING (RED)	AS REQUIRED	14631314
14	¼"ID TUBE 4-WAY CONNECTOR	1	14631313
15	075/100 DIFFERENTIAL AIR PRESSURE SWITCH 1.80"	1	240010151
	50 DIFFERENTIAL AIR PRESSURE SWITCH 2.10"	1	240009613
15A	075/100 NEGATIVE PRESSURE SWITCH -0.50"	1	240009793
17	PC250-12 VINYL CAP	2	14631151
18	62064 ¼"ID TUBE TEE	AS REQUIRED	14631104
20	10-32"x 3/8" MACHINE SCREW	2	14695809
21*	HOT SURFACE IGNITER KIT	1	43800013
22	IGNITER GASKET	1	1250010
24	3/16" ID SILICONE TUBING	AS REQUIRED	1552014
25	1/8" NPT BRASS PLUG - 3/16" HEX SOCKET	1	14693805
26**	GAS ORIFICE NATURAL, 100N (0.0860, #44) 0-10,000'	1	43331090
	GAS ORIFICE NATURAL, 75N (0.0760, #48) 0-10,000'	1	43331092
	GAS ORIFICE NATURAL, 50N (0.0615) 0-10,000'	1	43331094
	GAS ORIFICE PROPANE, 100P (0.0670, #51) 0-10,000'	1	43331091
	GAS ORIFICE PROPANE, 75P (0.0531) 5,000-10,000'	1	43331096
	GAS ORIFICE PROPANE, 75P (0.0605) 0-5,000'	1	43331093
	GAS ORIFICE PROPANE, 50P (0.0492) 0-10,000'	1	43331095
27	BUSHING WITH HEX, Q90 MIXER	1	240009289
28	HONEYWELL GAS VALVE VR8205	1	14631307
29	WATER TRAP	1	240010139
Not Shown	NATURAL TO PROPANE CONVERSION KIT, 90-50, 0'-10,000'	1	550002631
	NATURAL TO PROPANE CONVERSION KIT, 90-75, 0'-5,000'	1	550002630
	NATURAL TO PROPANE CONVERSION KIT, 90-75, 5,000'-10,000'	1	550002629
	NATURAL TO PROPANE CONVERSION KIT, 90-100, 0'-10,000'	1	550002700
	PROPANE TO NATURAL CONVERSION KIT, 90-50, 0-10,000'	1	550002635
	PROPANE TO NATURAL CONVERSION KIT, 90-75, 0-10,000'	1	550002634
	PROPANE TO NATURAL CONVERSION KIT, 90-100, 0-10,000'	1	550002701

* - Includes item numbers 20, 21 & 22. ** - Includes item number 25

Flue Adapter and Exhaust Assembly



REPAIR PARTS

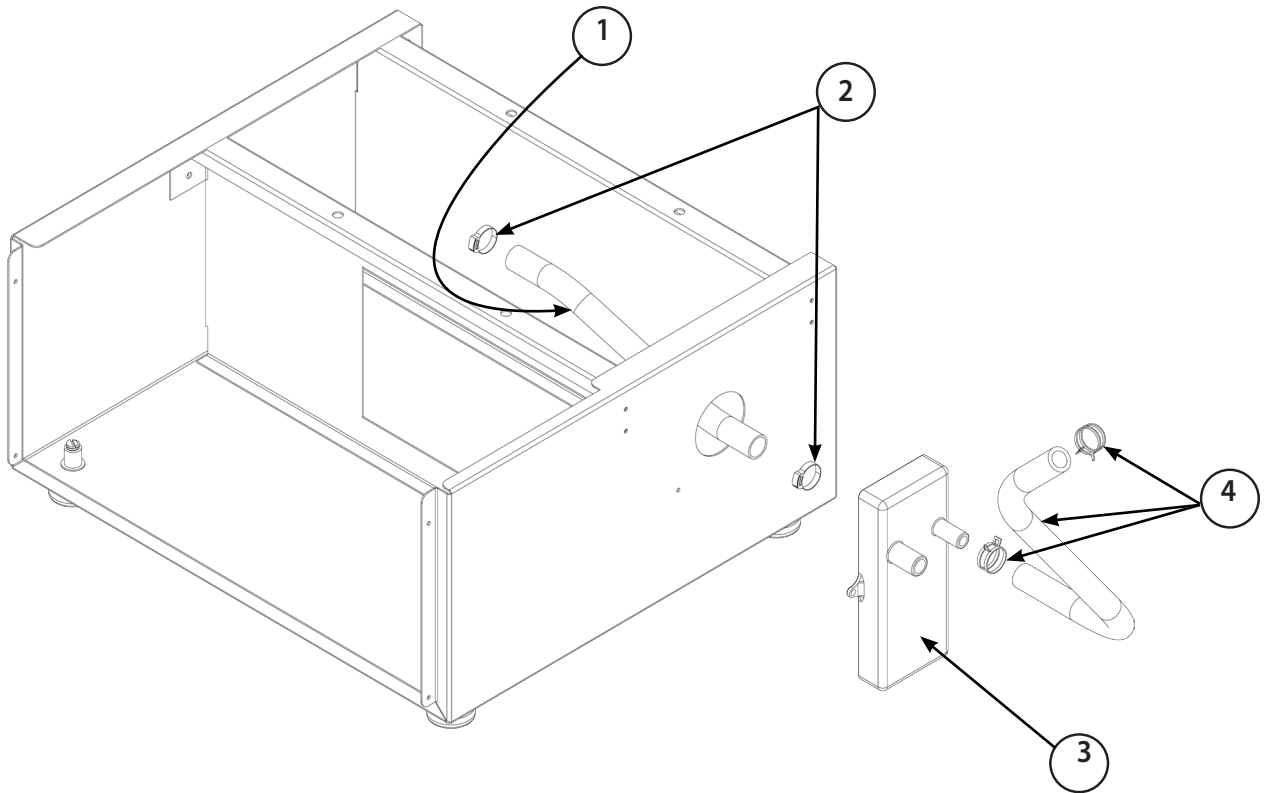
Flue Adapter and Exhaust Assembly

	KEY #	DESCRIPTION	QTY.	ITEM NUMBER
Kit 550002628 Includes		INDUCED DRAFT BLOWER KIT FOR MODELS 50/75 [INCLUDES items 1,2,3,4,5,16,17]	1	550002628
	1	SCREW, 6 X 1/4, SLT, HH	2	HW06501
	2	36T X 11-22491 INDUCER TEMP SAFETY SWITCH	1	14631303
	3	VENT SWITCH GASKET	1	14631028
	4	FLUE GAS BLOWER WITH VENT PIPE CONNECTOR	1	240009288
	5	BLOWER GASKET	1	14631026
	16	WASHER, #10 X 1/2" OD	4	240006203
	17	SCREW, 10-24X3" SLT HWH SZN	4	240007745
Kit 550002699 Includes		INDUCED DRAFT BLOWER KIT FOR MODEL 100 [INCLUDES items 1,2,3,4,5,16,17]	1	550002699
	1	SCREW, 6 X 1/4, SLT, HH	1	HW06501
	2	36T X 11-22491 INDUCER TEMP SAFETY SWITCH	1	14631303
	3	VENT SWITCH GASKET	1	14631028
	4	FLUE GAS BLOWER WITH VENT PIPE CONNECTOR	1	240009791
	5	BLOWER GASKET	1	14631026
	16	WASHER, #10 X 1/2" OD	4	240006203
	17	SCREW, 10-24X3" SLT HWH SZN	4	240007745
	6	FLUE ADAPTER	1	12101021
	7*	1/8" NPT 1/4" HOSE ID BRASS BARB FITTING	1	14631005
	8	PC250-12 VINYL CAP	1	14631151
	9	57134 3/4" SNAP GRIP CLAMP	2	14631141
	10	62043 1/2" NPT' x 1/2" ID TUBE ELBOW	1	14631103
	11	59019 1/2" ID' x 1/8" THK VINYL TUBE	22"	14631035
	12	3/8" HOSE CLAMP HC-6ST	1	14631143
	13	EXHAUST SPACER BUSHING 1/4 ID X 3/8 OD X 7/8 LONG	4	240009284
	14	GASKET, EXHAUST SPACER	4	240009583
	15	1/4"-20 HEX NUT W/SERRATED WASHER HEAD	4	14695810
	**	VENT PIPE 2" CPVC SCH-40 X 29 1/2" LONG S636	2	240006820
	**	VENT PIPE COUPLING 2" CPVC SCH-80 S636	1	240006822
	**	VENT PIPE ELBOW 2" CPVC SCH 40 S636	1	240009663
	**	VENT PIPE 2" CPVC SCH-40 X 2 1/2" LONG S636	1	240006821

* - Combustion Test Port

** - Not shown

Condensate Drain Trap Assembly



KEY #	DESCRIPTION	QUANTITY	ITEM NUMBER
1	59020 TUBE, VINYL, 5/8" ID x 13/16" OD	9.5"	240009291
2	57134 3/4" SNAP GRIP CLAMP	2	14631141
3	CONDENSATE TRAP ASSEMBLY	1	240009287
4	TUBE 1/2" ID EPDM60 WITH CLAMPS	1	240010489

Wiring Harness

DESCRIPTION	QUANTITY	ITEM NUMBER
WIRING HARNESS Q90-100	1	240010102
WIRING HARNESS Q90-50, Q90-75	1	240010101



2201 Dwyer Avenue, Utica, NY 13501

Tel. 800 253 7900

www.ecrinternational.com

All specifications subject to change without notice.

©2018 ECR International, Inc.