



WPSB SERIES II

Models
WPSB-3D
WPSB-3DP
WPSB-4D
WPSB-4DP
WPSB-5D
WPSB-5DP
WPSB-6D
WPSB-6DP
WPSB-7D
WPSB-7DP
WPSB-8D
WPSB-8DP
WPSB-9D
WPSB-9DP

**GAS-FIRED
HOT WATER BOILERS**

**PARTS, KITS
AND OPTIONAL ACCESSORIES**

Ordering Instructions

Order Parts through your nearest supplier.

When ordering parts, obtain Model Number and Serial Number from data plate on your boiler.

Include following information when ordering.

Part Number _____

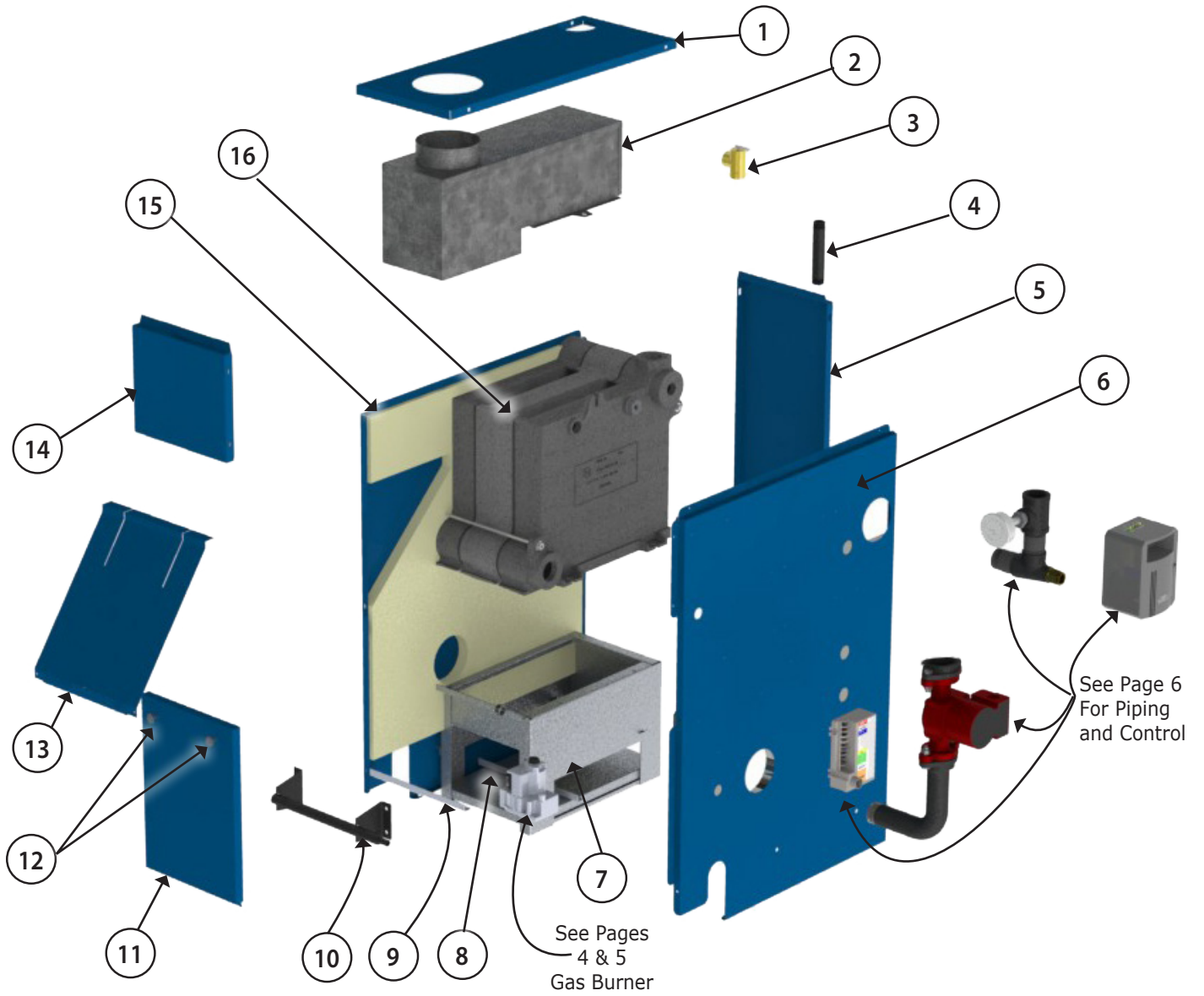
Part Description _____

Boiler Model Number _____

Boiler Serial Number _____



Manufactured by:
ECR International Inc.
2201 Dwyer Avenue, Utica, NY 13501
Tel. 800 253 7900
www.ecrinternational.com
PN 240009048 REV. G [05/20/2019]



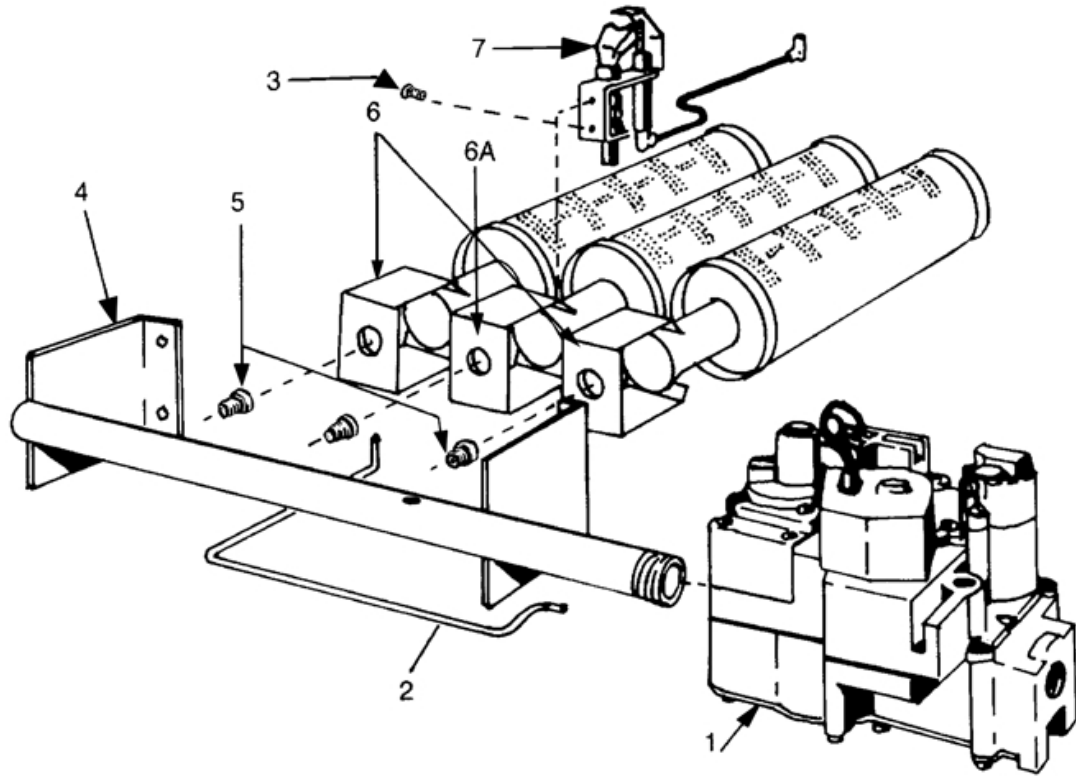
REPAIR PARTS

JACKET ASSEMBLY

KEY NO.	DESCRIPTION	3	4	5	6	7	8	9
		SECTION	SECTION	SECTION	SECTION	SECTION	SECTION	SECTION
		Part No.	Part No.	Part No.	Part No.	Part No.	Part No.	Part No.
‡	Jacket Assy Complete	42500873AC	42500874AC	42500875AC	42500876AC	42500877AC	42500878AC	42500879AC
1	Jacket, Top Panel	42500843AC	42500844AC	42500845AC	42500846AC	42500847AC	42500848AC	42500849AC
2	Draft Diverter	42500673	42500674	42500675	42500676	42500677	42500678	42500679
3	Safety Relief Valve	14622011						
4	¾" x 6½" Adapter	14607002						
5	Jacket, Back Panel	42500833	42500834	42500835	42500836	42500837	42500838	42500839
6	Jacket, Right Side Panel	42500802	42500802	42500802	42500802	42500802	42500802	42500802
7a	Base	42500663	42500664	42500665	42500666	42500667	42500668	42500669
7b	Base Insulation							
	- Base Sides (2)	14614130	14614130	14614130	14614130	14614130	14614130	14614130
	- Base Front	14614113	14614114	14614115	14614116	14614117	14614118	14614119
	- Base Rear	14614123	14614124	14614125	14614126	14614127	14614128	14614129
8	Base Baffle	42500643	42500644	42500645	42500646	42500647	42500648	42500649
9	Jacket Tie Bar	42500653	42500654	42500655	42500656	42500657	42500658	42500659
10	Gas Manifold	See Pages 4 & 5						
11	Jacket, Diverter Panel	42500813AC	42500814AC	42500815AC	42500816AC	42500817AC	42500818AC	42500819AC
12	Knob, Service Door (Pair)	13702153	13702153	13702153	13702153	13702153	13702153	13702153
13	Jacket, Diverter	42500823AC	42500824AC	42500825AC	42500826AC	42500827AC	42500828AC	42500829AC
14	Jacket, Front Panel	42500811AC	42500804AC	42500805AC	42500806AC	42500807AC	42500808	42500809
15	Jacket, Left Side Panel	42500801AC	42500801AC	42500801AC	42500801AC	42500801AC	42500801AC	42500801AC
16	Block Assembly (19, 16, 15, 14, 8)	41000331	41000431	41000531	41000631	41000731	41000831	41000931
‡	Combustible Floor Plate	14614031	14614031	14614031	14614031	14614032	14614032	14614032
‡	Cerafelt Gasket	14614018	14614018	14614018	14614018	14614018	14614018	14614018
‡	Vent Damper	240006937	240006938	240006938	240006939	240006939	240006939	240006939
‡	Base Assembly Includes 7a, 7b & 8	43300663	43300664	43300665	43300666	43300667	43300668	43300669

‡ Not illustrated

FOR USE WITH NATURAL GAS ONLY



NOTE: Actual gas valve may look different than gas valve shown

NATURAL GAS BURNER & MANIFOLD PARTS								
<i>This is a repair parts list – NOT a packing list!</i>								
KEY NO.	DESCRIPTION	3 Section	4 Section	5 Section	6 Section	7 Section	8 Section	9 Section
1	Gas Valve, Natural Gas	14662052	14662052	14662052	14662058	14662058	14662058	14662058
2	Pilot Tube	14615005	14615005	14615005	14615005	14615005	14615006	14615006
3	10-32 x 3/16" Slotted Hex Head Screws	14695301	14695301	14695301	14695301	14695301	14695301	14695301
4	Gas Manifold	14616033	14616034	14616035	14616013	14616014	14616015	14616016
5	Main Burner Orifice*	14615031	14615031	14615031	14615035	14615035	14615035	14615035
6	Main Burner Regular**	14615532	14615532	14615532	14615532	14615532	14615532	14615532
6A	Main Burner, Pilot Mount	14615531	14615531	14615531	14615531	14615531	14615531	14615531
7	Pilot	14662092	14662092	14662092	14662092	14662092	14662092	14662092
‡	Rollout Shield	42500933	42500934	42500935	42500936	42500937	42500938	42500939

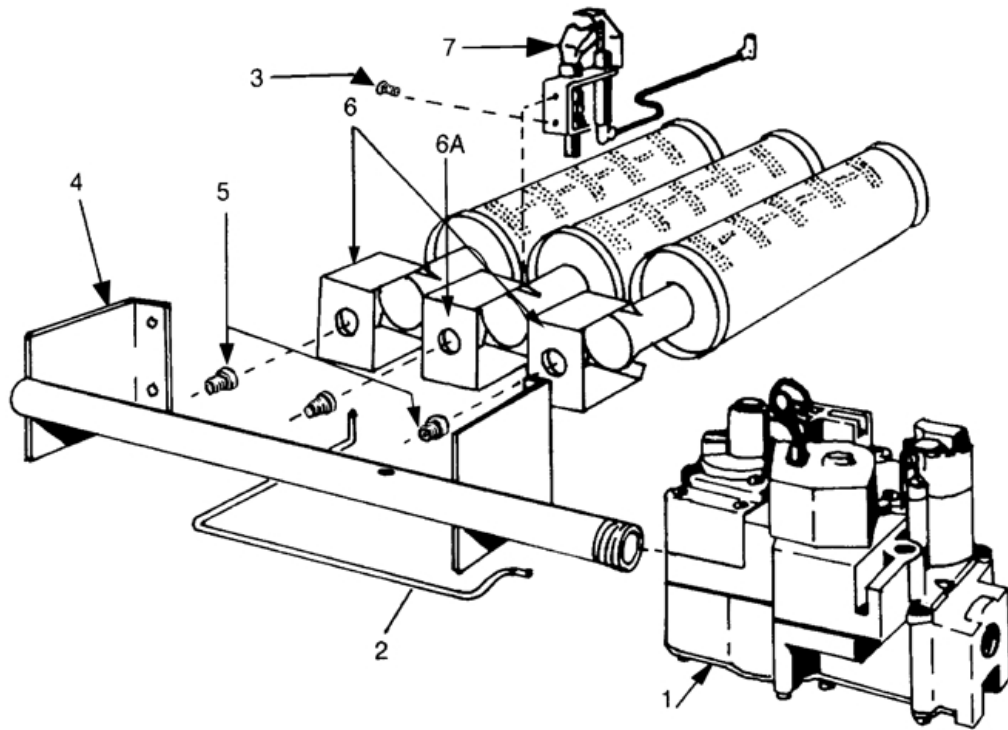
*Requires 1 less than the number of sections.

**Requires 2 less than the number of sections.

‡ Not illustrated.

Quantity is 1 unless otherwise noted.

FOR USE WITH PROPANE GAS ONLY



NOTE: Actual gas valve may look different than gas valve shown

PROPANE GAS BURNER & MANIFOLD PARTS								
<i>This is a repair parts list – NOT a packing list!</i>								
KEY NO.	DESCRIPTION							
		3 Section	4 Section	5 Section	6 Section	7 Section	8 Section	9 Section
Electronic Intermittent Ignition (Shown)								
1	Gas Valve, LP	240009866	240009866	240009866	240008809	240008809	240008809	240008809
2	Pilot Tube	14615005	14615005	14615005	14615005	14615005	14615006	14615006
3	10-32 x 3/16" Slotted Hex Head Screws	14695301	14695301	14695301	14695301	14695301	14695301	14695301
4	Gas Manifold	14616010	14616011	14616012	14616013	14616014	14616015	14616016
5	Main Burner Orifice*	14615036	14615036	14615036	14615036	14615036	14615036	14615036
6	Main Burner Regular**	14615532	14615532	14615532	14615532	14615532	14615532	14615532
6A	Main Burner, Pilot Mount	14615531	14615531	14615531	14615531	14615531	14615531	14615531
7	Pilot Burner (includes)***	14662092						
		PB00208						
		14662087						
‡	Rollout Shield	42500933	42500934	42500935	42500936	42500937	42500938	42500939

* Requires 1 less than the number of sections.

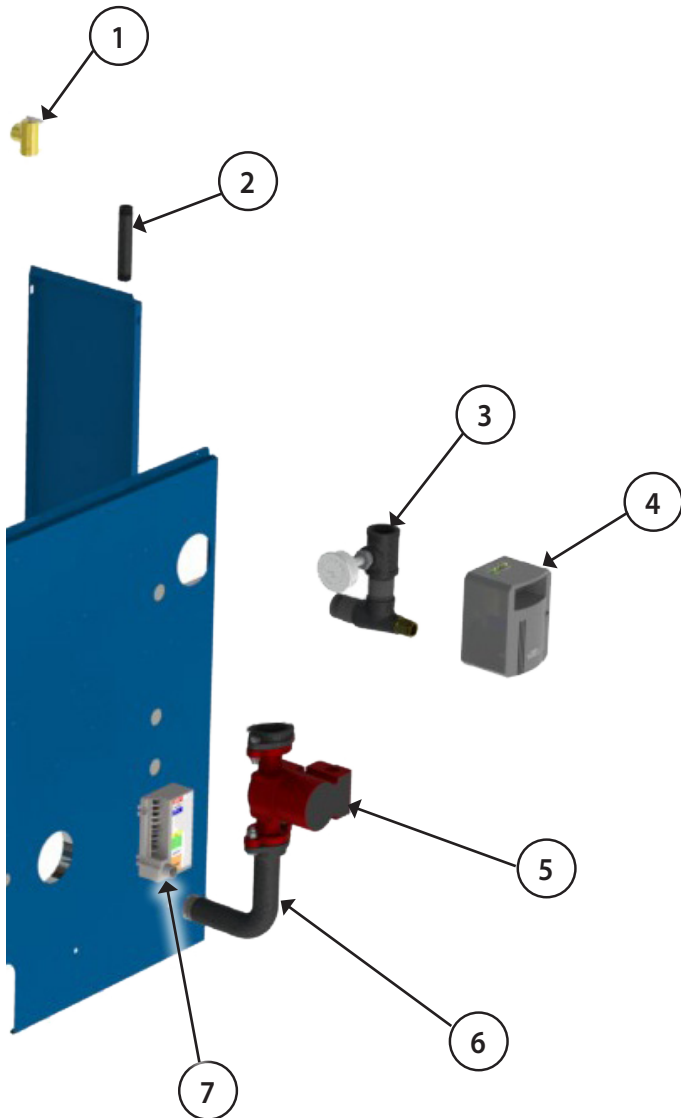
**Requires 2 less than the number of sections.

‡ Not illustrated.

Quantity is 1 unless otherwise noted.

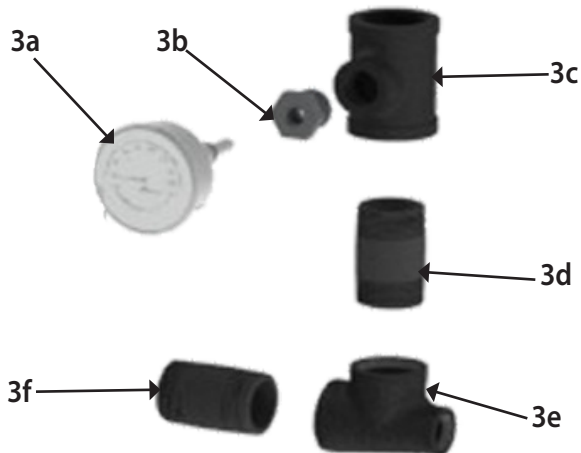
*** Pilot shipped natural gas only orifice and fitting required for LP conversion

BOILER CONTROLS AND PIPING



Key No.	Description	Part No.	
1	3/4" ASME Relief Valve	14622011	
2	3/4" x 6 1/2" Nipple	14607002	
3	3a	Temperature Pressure Gauge - 2" shank	1260006SP
	3b	Bushing, 3/4" x 1/4", Black Iron	1060002
	3c	Tee, 1 1/4" x 1 1/4" x 3/4", Black Iron	PF05901
	3d	Adapter, 1 1/4" x 2 1/2", Black Iron	14607044
	3e	1 1/4" x 3/4" x 1 1/4" Tee	1510001
	3f	1 1/4" x 2 1/2" Nipple	14607044
4	Hydrolevel Control	240009113	
‡	Replacement Sensor Only For Hydrolevel 3250 (12")	240009989	
5	Grundfos Pump UP15-42F Circulator	CI006.01	
	Taco Pump 007	CI-001.03	
6	1 1/4" Bent Return Adapter	14607003	
7	Intermittent Pilot Control	14662070	
‡	Sensor Clip	240008013	
‡	Sensor Well	240007709	
‡	Blocked Vent Safety Switch (36TX16-6282) 280°F	1500009	
‡	Rollout Switch	14629002	
‡	5" Vent Damper	240006937	
‡	6" Vent Damper	240006938	
‡	7" Vent Damper	240006939	
‡	2 1/2" x 1 1/4" Bushing (2 Required)	14693008	
‡	2 1/2" Plug	14693024	
‡	2 1/2" x 3/4" Bushing	14693083	
‡	1/2" Plug (3 Required)	1395003	
‡	400°F Black Silicone Rubber Adhesive Sealant (10.3 oz. Cartridge)	240006837	

Temperature Pressure Gauge Assembly



‡ Not illustrated

REPAIR PARTS**MISCELLANEOUS PARTS**

DESCRIPTION	PART NUMBER	QTY.
Circulator Harness	37519501	1
Damper Harness, 60"	240005480	1
Wire Harness, Rollout/Blocked Vent Safety Switch	240010924	2
Wire Harness, Gas Valve	43300942	1
Strain Relief Connector	EF-016.01	1
Wire Clip	240010487	1
Bushing, 7/8 to 3/4	206000023	1
Strain Relief Bushing	14634032	2
Screw, 10 x 12	14695074	2



2201 Dwyer Avenue, Utica, NY 13501

Tel. 800 253 7900

www.ecrinternational.com

All specifications subject to change without notice.

©2019 ECR International, Inc.