



DXL SERIES II

CAST IRON GAS FIRED BOILERS FOR FORCED HOT WATER

REPAIR PARTS AND OPTIONAL ACCESSORIES

Models

DXL-50

DXL-75

DXL-100

DXL-125

DXL-150

DXL-170

DXL-200

Ordering Instructions

Order Parts through your nearest supplier.

When ordering parts, obtain Model Number and Serial Number from data plate on your boiler.

Include following information when ordering.

Part Number _____

Part Description _____

Boiler Model Number _____

Boiler Serial Number _____



ECR international

Manufactured by:

ECR International Inc.

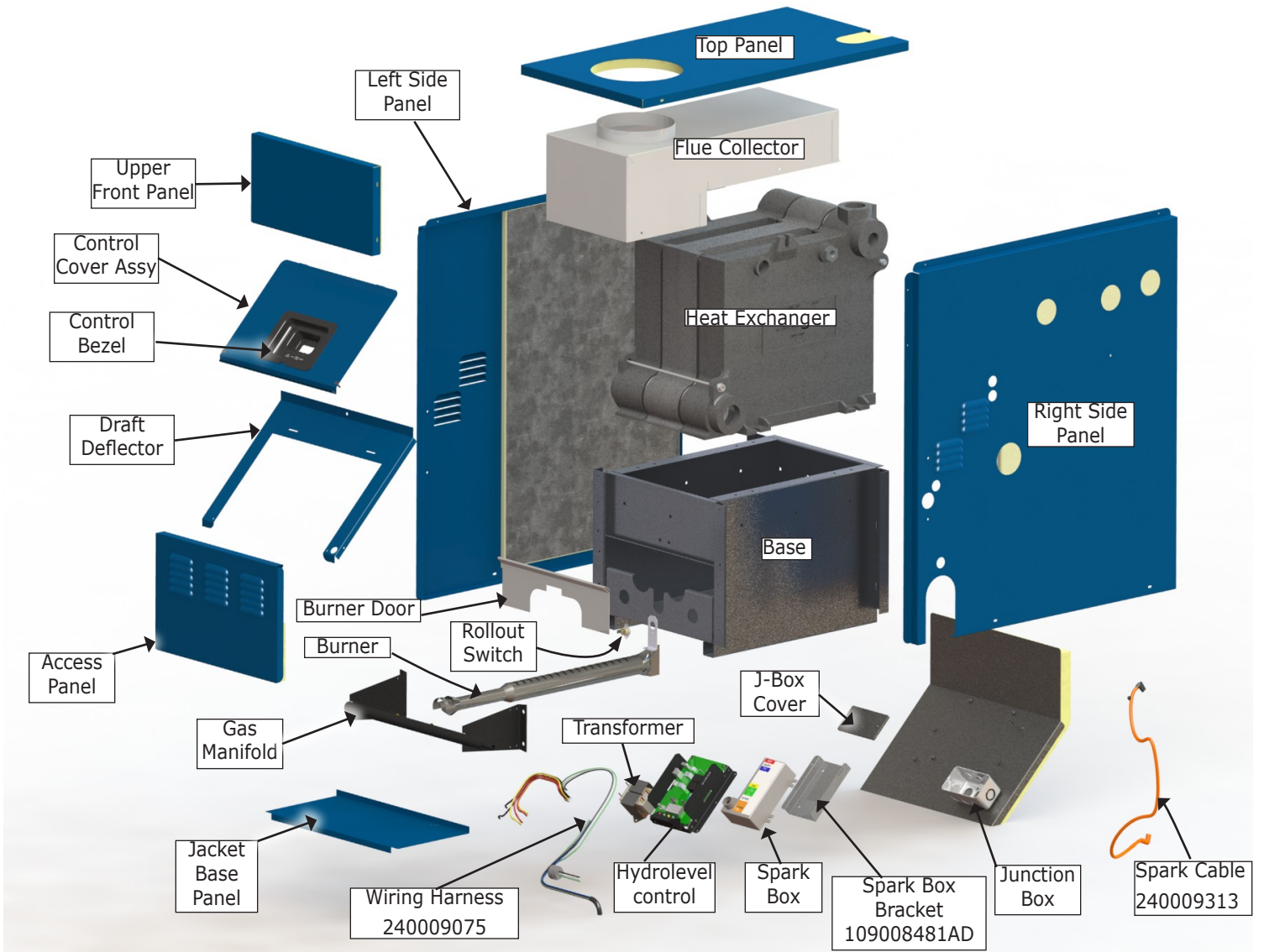
2201 Dwyer Avenue, Utica, NY 13501

Tel. 800 253 7900

www.ecrinternational.com

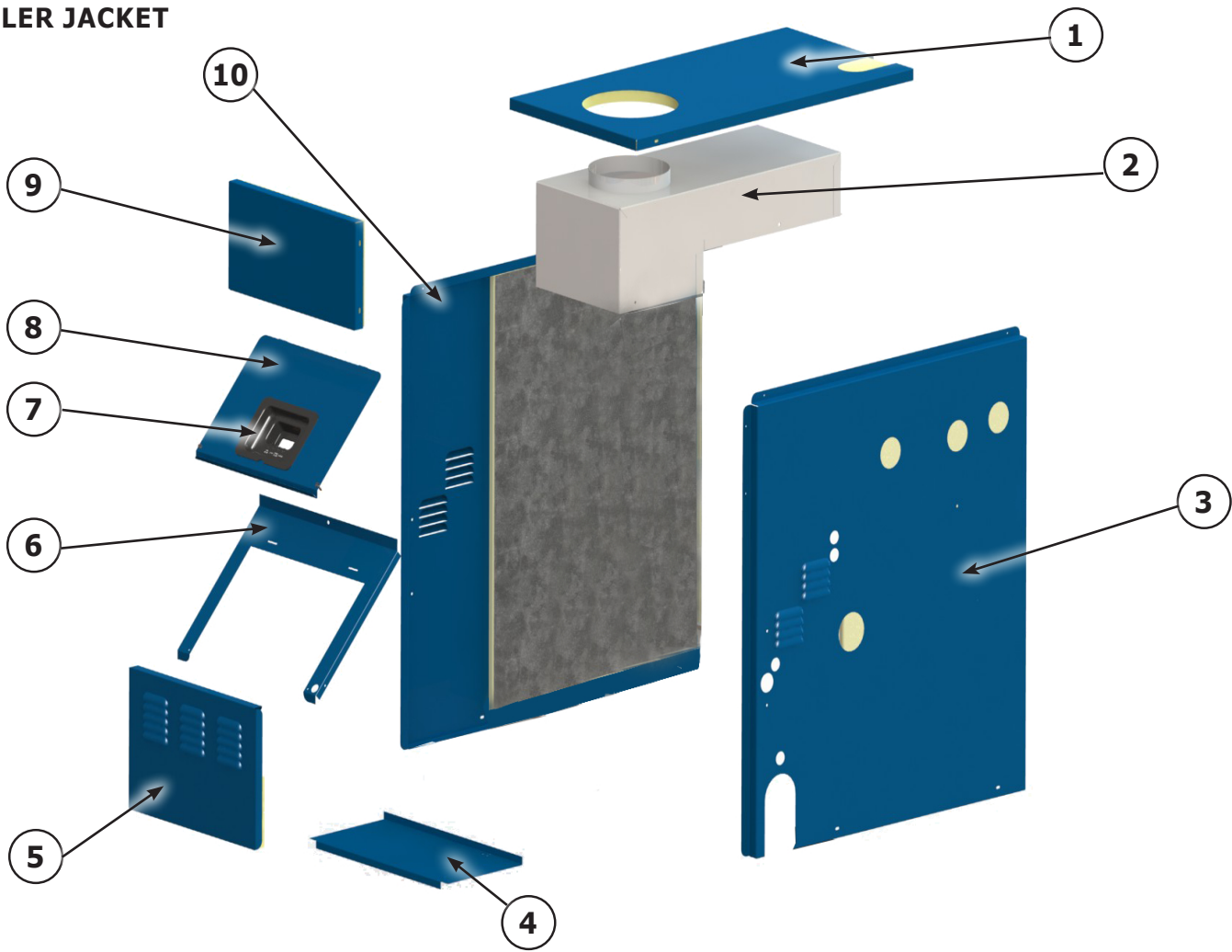
PN 240009042 REV. L [06/01/2019]

REPLACEMENT PARTS - EXPLODED VIEW



REPLACEMENT PARTS - JACKET

BOILER JACKET



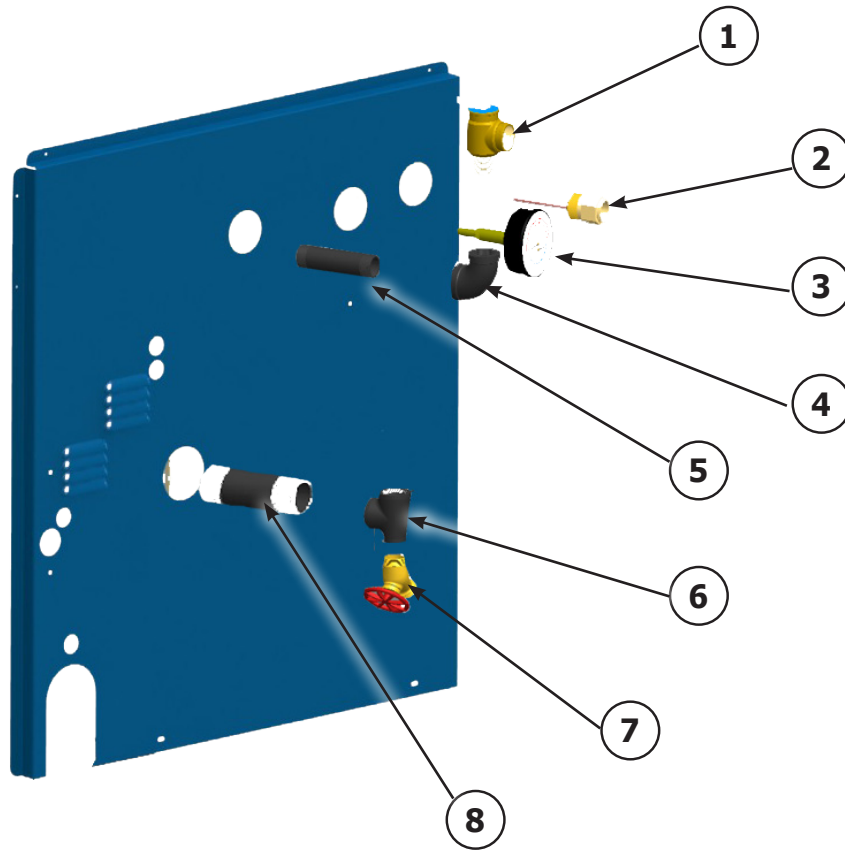
| Item # | Boiler Size | 50 | 75/100 | | 125 | 150 | 170/200 | |
|--------|---|-------------|-------------|-----------|-------------|-------------|-------------|------------|
| | Complete Jacket Kit # | 550002999 | 550003000 | | 550003001 | 550003002 | 550003003 | |
| 1 | Top Panel | 31621501AC | 31621502AC | | 31621503AC | 31621504AC | | 31621505AC |
| 2 | Flue Collector | 3462101 | 3462108 | 3462102 | 3462107 | 3462103 | 3462109 | 3462104 |
| 3 | Right Panel | 109008493AC | | | | | | |
| 4 | Base Panel | 3161201AC | 3161202AC | | 109008530AC | | 109008531AC | |
| 5 | Lower Access Panel | 109008737AC | 109008738AC | | 109008739AC | | 109008740AC | |
| 6 | Draft Deflector | 109009425AC | 109009426AC | | 109009427AC | 109009428AC | 109009429AC | |
| 7 | Control Bezel* | 240009256 | | | | | | |
| 8 | Control Cover* | 109008755AC | 109008756AC | | 109008757AC | | 109008758AC | |
| 9 | Upper Access Panel | 109008761AC | 109008762AC | | 109008763AC | 109008764AC | 109008765AC | |
| 10 | Left Jacket Panel | 109008495AC | | | | | | |
| † | Damper | 240006936 | 240006937 | 240006938 | | 240006939 | | 240006940 |
| † | Nylon Spacer for Control Bezel (4 Required) | 240007749 | | | | | | |
| † | Rear Panel | 3162601AC | 3162602AC | | 3162603AC | | 3162604AC | |

* Not included in Complete Jacket Assy Kit.

† Not Shown

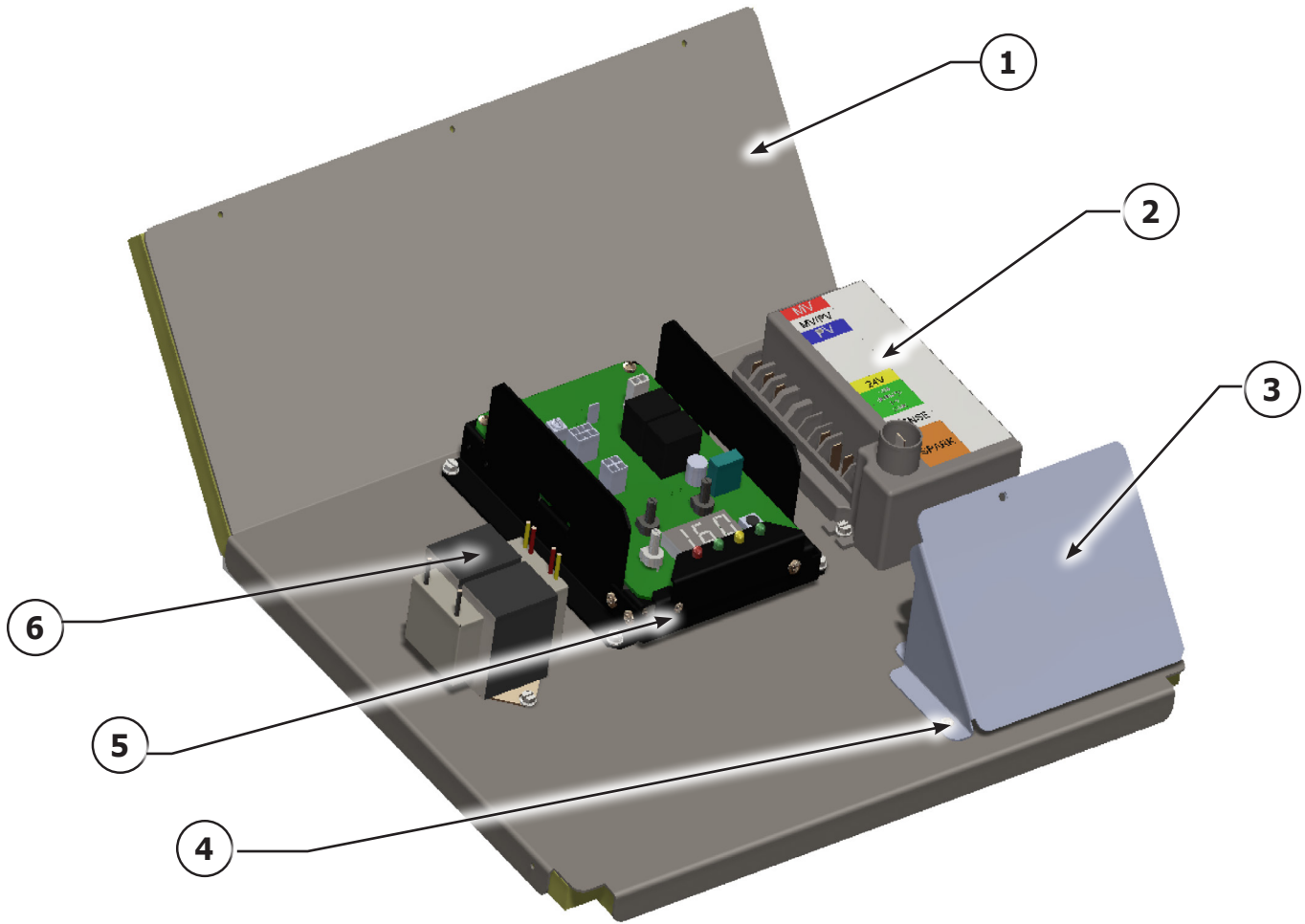
REPLACEMENT PARTS - PIPING & CONTROLS

PIPING & CONTROLS



| ITEM | DESCRIPTION | P/N | QTY. |
|------------------|---------------------------------|-----------|------|
| 1 | RELIEF VALVE 30# | VR-001.01 | 1 |
| 2 | WELL HYDROLEVEL 3/4"X 1 1/2" | 240007709 | 1 |
| 3 | TEMPERATURE PRESSURE GAUGE | 1260006 | 1 |
| 4 | PIPE - ELBOW 3/4" 90° | 1190001 | 1 |
| 5 | PIPE - NPL 3/4"X4" | 1310001 | 1 |
| 6 | PIPE TEE 1 1/4" X 3/4" X 1 1/4" | 1510001 | 1 |
| 7 | DRAIN - SHORT | 240009323 | 1 |
| 8 | PIPE - NPL 1 1/4 X 4 1/2 NPT | 1310002 | 1 |
| * | DAMPER HARNESS | 240006309 | 1 |
| * | GAS VALVE/IGNITER HARNESS | 37413602 | 1 |
| * | CIRCULATOR HARNESS | 240009421 | 1 |
| * | TEMPERATURE SENSOR, 48" | 240007708 | 1 |
| * | TEMPERATURE SENSOR GROMMET | 240007713 | 1 |
| * Item not shown | | | |

REPLACEMENT PARTS - CONTROL MODULE



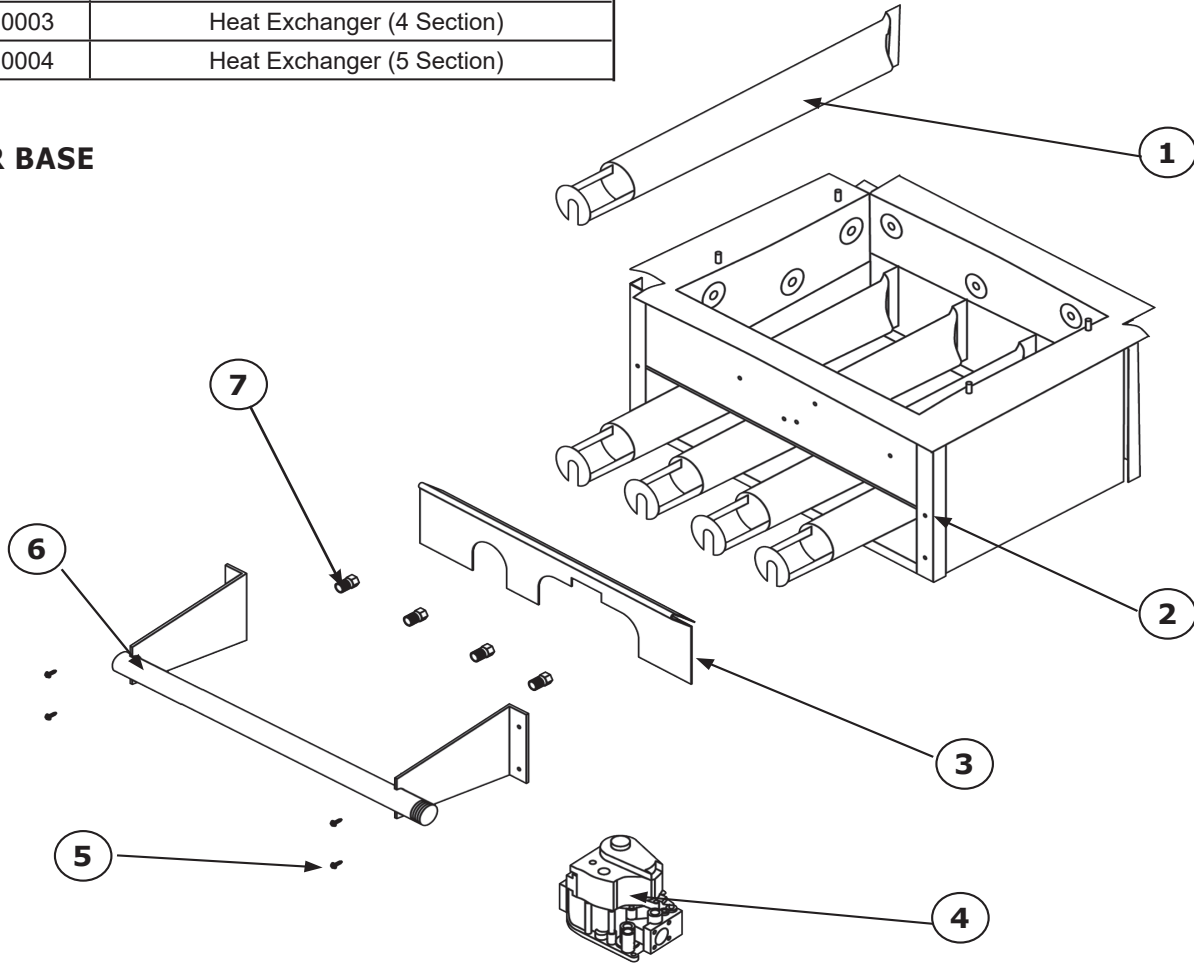
| ITEM | DESCRIPTION | P/N | QTY. |
|------------------|--------------------------------------|-------------|------|
| 1 | 2 SECTION PANEL WITH INSULATION | 109008652 | 1 |
| | 3 SECTION PANEL WITH INSULATION | 109008653 | 1 |
| | 4 SECTION PANEL WITH INSULATION | 109008654 | 1 |
| | 5 SECTION PANEL WITH INSULATION | 109008655 | 1 |
| 2 | INTERMITTENT PILOT CONTROL 1003-620A | 14662070 | 1 |
| | PILOT CONTROL BRACKET | 109008481AD | 1 |
| 3 | DXL J-BOX | 212000017 | 1 |
| | J-BOX COVER | 212000018 | 1 |
| 4 | HEX WASHER SCREW #8-32X1/2" B POINT | 201000024 | 8 |
| 5 | 2012 HYDROLEVEL CTRL MODULE | 240009076 | 1 |
| 6 | BASLER TRANSFORMER | 240007897 | 1 |
| * | WIRE HARNESS | 240009075 | 1 |
| * Item not shown | | | |

REPLACEMENT PARTS - HEAT EXCHANGER & BOILER BASE

HEAT EXCHANGER

| Fully Assembled Heat Exchangers | |
|---------------------------------|----------------------------|
| 912000001 | Heat Exchanger (2 Section) |
| 912000002 | Heat Exchanger (3 Section) |
| 912000003 | Heat Exchanger (4 Section) |
| 912000004 | Heat Exchanger (5 Section) |

BOILER BASE



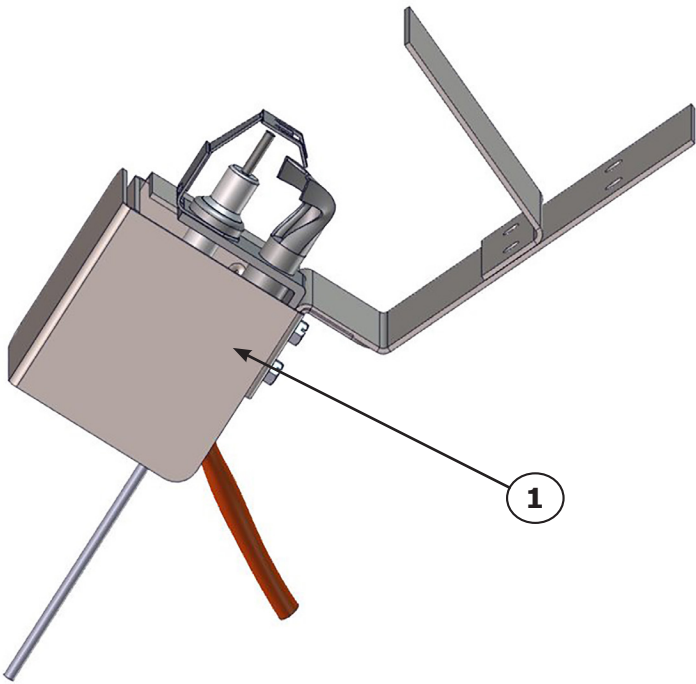
| Item # | Description | Part # | Qty. |
|--------|-------------------------------|------------|------|
| 1 | BURNER TUBE 1 1/2" - 50 | 240005543 | 1 |
| | BURNER TUBE 1 1/2" - 75, 100 | | 2 |
| | BURNER TUBE 1 1/2" - 125, 150 | | 3 |
| | BURNER TUBE 1 1/2" - 170, 200 | | 4 |
| 2 | BASE W/INSUL - 50 | 5611601 | 1 |
| | BASE W/INSUL - 75, 100 | 5611602 | |
| | BASE W/INSUL - 125, 150 | 3001823 | |
| | BASE W/INSUL - 170, 200 | 5611604 | |
| 3 | BURNER DOOR - 50 | 109009071 | 1 |
| | BURNER DOOR - 75, 100 | 109009072 | |
| | BURNER DOOR - 125, 150 | 109009073 | |
| | BURNER DOOR - 170, 200 | 109009074 | |
| 6 | MANIFOLD - 50 | 356-2-1.01 | 1 |
| | MANIFOLD - 75 & 100 | 356-2-1.02 | |
| | MANIFOLD - 125 & 150 | 356-2-1.03 | |
| | MANIFOLD - 170 & 200 | 356-2-1.04 | |

| Item # | Description | Part # | Qty. |
|-----------|--|------------|------|
| 5 | SCREW 1/4 - 20 X 1/2 SELF TAP | HW-005.01 | 4 |
| 4 | GAS VALVE VR8204H - 50 - 150 SPARK NAT | VG01101 | 1 |
| | GAS VALVE VR8304H4 - 170-200 SPARK NAT | VG01103 | |
| | GAS VALVE VR8304 - 50-200 SPARK LP | VG01104 | |
| 7 | ORIFICE 3.2mm NAT - 50, 100, 150, 200, | 240007406 | * |
| | ORIFICE 2.9mm NAT - 125, 170 | 240007403 | |
| | ORIFICE 2.8mm NAT - 75 | 240007402 | |
| | ORIFICE #45 LP - 50 | 3551520 | |
| | ORIFICE #47 LP - 100, 150, 200 | 355-1-5.04 | |
| NOT SHOWN | ORIFICE #49 LP - 125 & 170 | 355-1-5.06 | 1 |
| | ORIFICE #50 LP - 75 | 355-1-5.07 | |
| | COMBUSTIBLE BASE FLOORING - 50 | 325-2-8.01 | |
| | COMBUSTIBLE BASE FLOORING - 75, 100 | 325-2-8.02 | |
| | COMBUSTIBLE BASE FLOORING - 125, 150 | 325-2-8.03 | |
| | COMBUSTIBLE BASE FLOORING - 170, 200 | 325-2-8.04 | |

* Orifice Quantities: Model 50 - qty 1; Model 75 & 100- qty 2; Model 125 & 150- qty 3; Model 170 & 200- qty 4

REPLACEMENT PARTS - PILOT

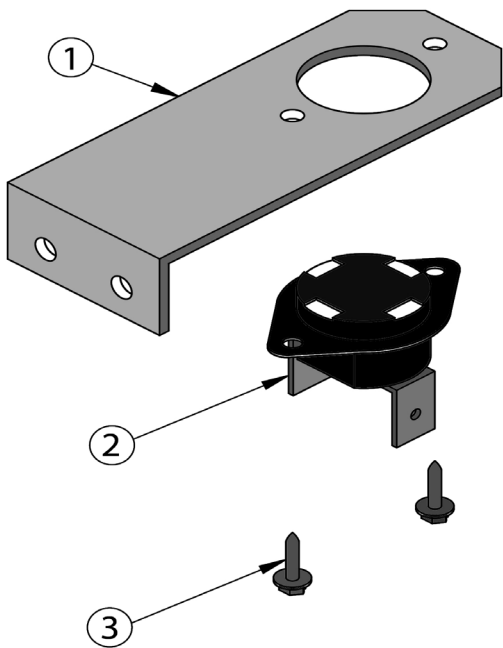
SPARK PILOT



| Spark Pilot Kit - Natural Gas 550003039 | | |
|---|---------------------------------------|------|
| Spark Pilot Kit - LP/Propane 550003040 | | |
| Item # | Description | Qty. |
| 1 | PILOT AND BRACKET ASSEMBLY (NAT. GAS) | 1 |
| | PILOT AND BRACKET ASSY (LP/PROPANE) | 1 |
| * | BRACKET SCREW | 2 |
| * | COMPRESSION FITTING | 1 |
| * NOT SHOWN | | |

ROLLOUT & BLOCKED VENT SAFETY SWITCH

2, 3 Section Shown



| Item # | Description | Part # | Qty. |
|--------|---|-----------|------|
| 1 | 2 SECTION TEMP. SENSOR BRACKET | 32611001 | 1 |
| | 3 SECTION TEMP. SENSOR BRACKET | 3262001 | 1 |
| | 4 SECTION TEMP. SENSOR BRACKET | 109008517 | 1 |
| | 5 SECTION TEMP. SENSOR BRACKET | 109008518 | 1 |
| 2 | CONTROL-FIXED TEMPERATURE THERMO (BLOCKED VENT SAFETY SWITCH) | AQ02101 | 1 |
| 3 | SCREW - #6 X ¼ HEX HD | HW06501 | 2 |



2201 Dwyer Avenue, Utica, NY 13501

Tel. 800 253 7900

www.ecrinternational.com

All specifications subject to change without notice.

©2019 ECR International, Inc.