

CONVERSION KIT INSTRUCTIONS

NATURAL GAS TO LP & LP TO NATURAL GAS

050 Kit #550002303,
075 Kit #550002304,
100 Kit #550002305,
150 Kit #550002306,
200 Kit #550002307
299 Kit #550002799

⚠ WARNING

This conversion kit shall be installed by a qualified service agency in accordance with the manufacturer's instructions and all applicable codes and requirements of the authority having jurisdiction. If the information in these instructions is not followed exactly, a fire, an explosion or production of carbon monoxide may result causing property damage, personal injury or loss of life. The qualified service agency is responsible for the proper installation of this kit. The installation is not proper and complete until the operation of the converted appliance is checked as specified in the manufacturer's instructions supplied with the kit.

Kit installation shall be completed by qualified agency.

⚠ WARNING

Fire, explosion, asphyxiation and electrical shock hazard. Improper installation could result in death or serious injury. Read this instruction and understand all requirements, including requirements of authority having jurisdiction, before beginning installation. Installation not complete until appliance operation verified per Installation, Operation & Maintenance Manual provided with boiler.

Converting Boiler From Natural Gas To LP:

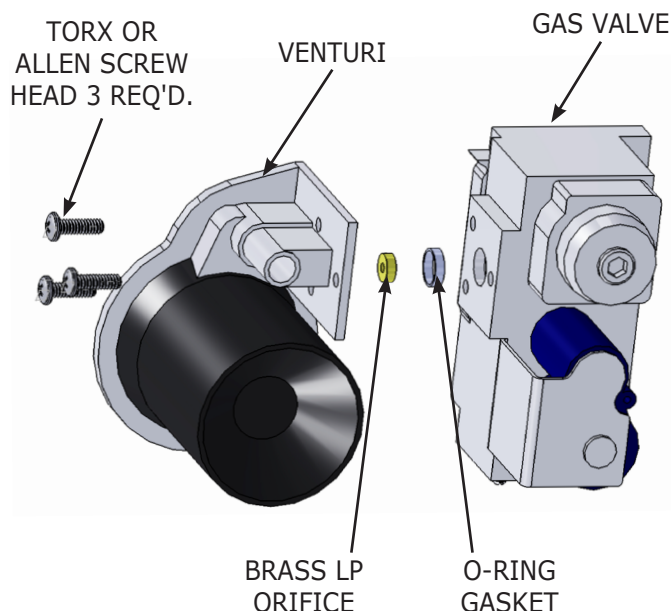
1. Follow instructions To TURN OFF GAS TO APPLIANCE found on Operating Instructions label on boiler or in Installation, Operation & Maintenance Manual. Verify all electrical power to boiler is turned off.

⚠ WARNING

Electrical shock hazard. Turn OFF electrical power supply at service panel.

2. Remove upper jacket from boiler.
3. Follow instruction TO TURN OFF GAS TO APPLIANCE. Verify electrical power is OFF.
4. Remove screws as shown in figures 1 & 2. Carefully separate gas valve.

**Figure - 1 Disconnect Venturi Body from Gas Valve
050/075/100/150/200**



5. Insert LP orifice as shown in figures 1 & 2. See Table 1 for orifice size.
6. 050 Mbh thru 200, O-ring gasket shown in figure 1 must remain in place.
7. Connect gas valve using previously removed screws.
8. Place "Natural to LP" and "Converted by" labels onto boiler as shown in figures 4 & 5.
9. Replace upper jacket.
10. Follow instructions in "Start-up Procedure" section of boiler's Installation, Operation & Maintenance Manual for proper startup and verification procedures.

Kit installation shall be completed by qualified agency.

⚠ WARNING

Fire, explosion, asphyxiation and electrical shock hazard. Improper installation could result in death or serious injury. Read this instruction and understand all requirements, including requirements of authority having jurisdiction, before beginning installation. Installation not complete until appliance operation verified per Installation, Operation & Maintenance Manual provided with boiler.

Converting Boiler From LP To Natural Gas:

1. Follow instructions To TURN OFF GAS TO APPLIANCE found on Operating Instructions label on boiler or in Installation, Operation & Maintenance Manual. Verify all electrical power to boiler is turned off.

⚠ WARNING

Electrical shock hazard. Turn OFF electrical power supply at service panel.

2. Remove upper jacket from boiler.
3. Follow instruction TO TURN OFF GAS TO APPLIANCE. Verify electrical power is OFF.
4. Remove screws as shown in figures 1 & 2. Carefully separate gas valve.
5. Remove orifice as shown in figures 1 & 2.
6. 050 Mbh thru 200, O-ring gasket shown in figure 1 must remain in place.
7. Connect gas valve using previously removed screws.
8. Place "LP to Natural" and "Converted by" labels onto boiler as shown in figures 4 & 5.
9. Replace upper jacket.
10. Follow instructions in "Start-up Procedure" section of boiler's Installation, Operation & Maintenance Manual for proper startup and verification procedures.

Figure - 2 Disconnect Gas Valve Top Flange -299

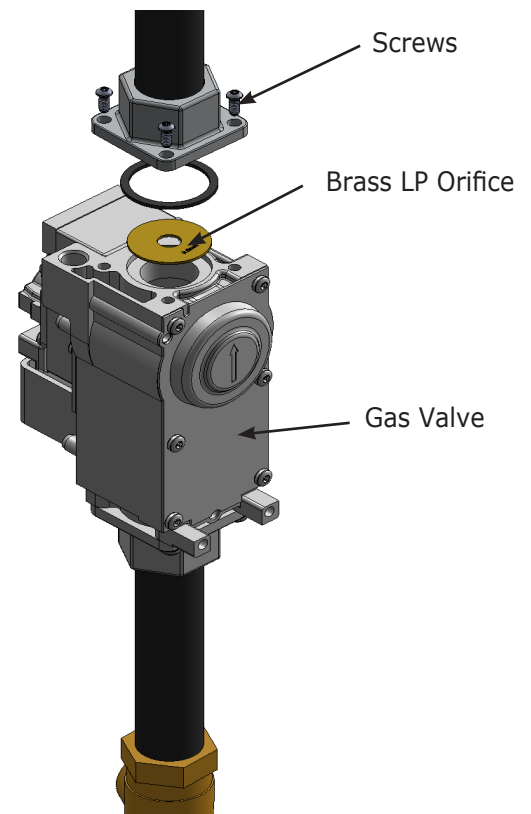


Figure - 3 Brass LP Orifice

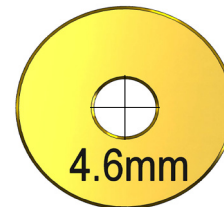


Table 1 - LP Orifice

Propane Orifice Chart		
Model	Part No.	Size
050	240008864	3.8mm
075	1350018	3.9mm
100	240008263	4.6mm
150	240008865	5.4mm
200	240008866	5.9mm
299	240009904	9.6mm

Figure - 4 Conversion Label Placement, 050/075/100/150/200

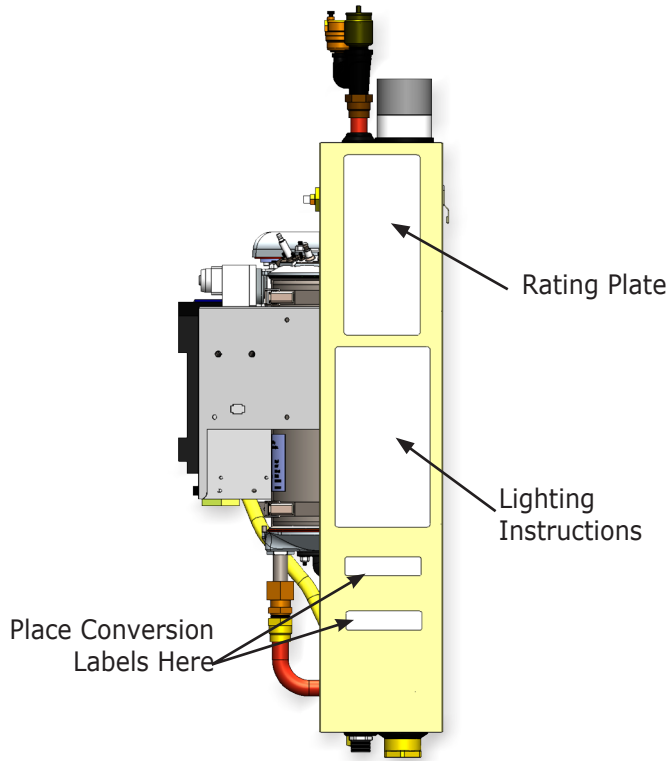


Figure - 5 Conversion Label Placement, 299

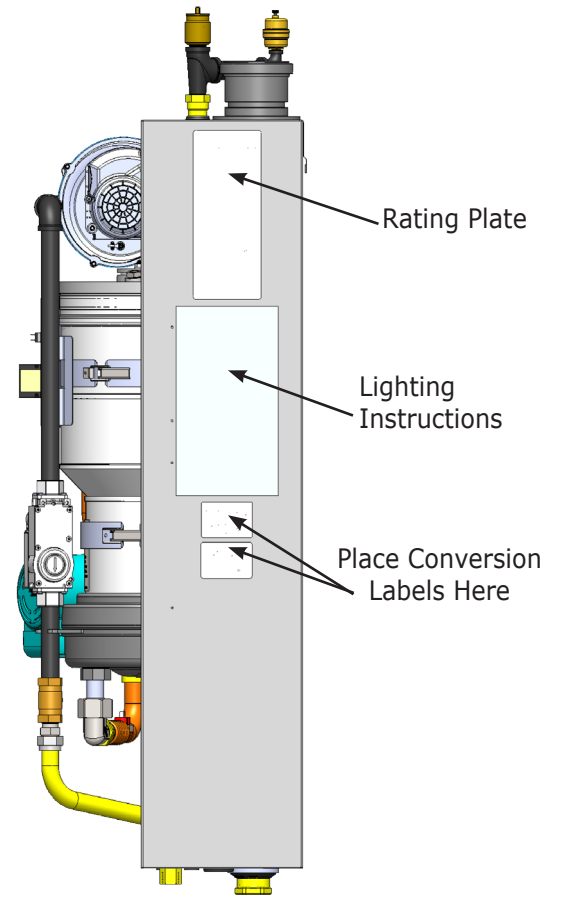


Table 2 - Parts Lists

050 Gas Conversion Kit # 550002303		
DESCRIPTION	PART #	QTY
Orifice, LP, 3.8mm	240008864	1
Label, "Converted By"	240008688	2
Label, "Nat to LP" conversion plate	240008961	1
Label, "LP to Nat" conversion plate	240008962	1
Instructions	240008957	1
075 Gas Conversion Kit # 550002304		
DESCRIPTION	PART #	QTY
Orifice, LP, 3.9mm	1350018	1
Label, "Converted By"	240008688	2
Label, "Nat to LP" conversion plate	240008961	1
Label, "LP to Nat" conversion plate	240008962	1
Instructions	240008957	1
100 Gas Conversion Kit #550002305		
DESCRIPTION	PART #	QTY
Orifice, LP, 4.6mm	240008263	1
Label, "Converted By"	240008688	2
Label, "Nat to LP" conversion plate	240008961	1
Label, "LP to Nat" conversion plate	240008962	1
Instructions	240008957	1
150 Gas Conversion Kit #550002306		
DESCRIPTION	PART #	QTY
Orifice, LP, 5.4mm	240008865	1
Label, "Converted By"	240008688	2
Label, "Nat to LP" conversion plate	240008961	1
Label, "LP to Nat" conversion plate	240008962	1
Instructions	240008957	1
200 Gas Conversion Kit #550002307		
DESCRIPTION	PART #	QTY
Orifice, LP, 5.9mm	240008866	1
Label, "Converted By"	240008688	2
Label, "Nat to LP" conversion plate	240008961	1
Label, "LP to Nat" conversion plate	240008962	1
Instructions	240008957	1
299 Gas Conversion Kit #550002799		
DESCRIPTION	PART #	QTY
Orifice, LP, 9.6mm	240009904	1
Label, "Converted By"	240008688	2
Label, "Nat to LP" conversion plate	240008961	1
Label, "LP to Nat" conversion plate	240008962	1
Instructions	240008957	1