

CONVERSION KIT INSTRUCTIONS

NATURAL GAS TO LP & LP TO NATURAL GAS

050 Kit #550002303,
075 Kit #550002304,
100 Kit #550002305,
150 Kit #550002306,
200 Kit #550002307

⚠ WARNING

Conversion kit shall be installed by qualified service agency in accordance with manufacturer's instructions and all applicable codes and requirements of authority having jurisdiction. If information in these instructions is not followed exactly, a fire, explosion or production of carbon monoxide may result causing property damage, personal injury or loss of life. Qualified service agency is responsible for proper installation of this kit. Installation is not proper and complete until operation of converted appliance is checked as specified in manufacturer's instructions supplied with the kit.

Converting Boiler From Natural Gas To LP:

1. Remove upper jacket from boiler.
2. Follow instruction TO TURN OFF GAS TO APPLIANCE. Verify electrical power is OFF.
3. Carefully separate venturi body from gas valve by removing (3) T-20 screws.
4. Insert LP orifice into o-ring gasket as shown in Figure 1. See Table 1 for orifice size.
5. Connect venturi body to gas valve using (3) T-20 screws.
6. Place Natural to LP and Converted by labels onto boiler as shown in Figure 3.
7. Replace upper jacket.
8. Follow instructions in "Start-up Procedure" section of boiler's Installation, Operation & Maintenance Manual for proper startup and verification procedures.

Figure - 1 Disconnect Venturi Body from Gas Valve

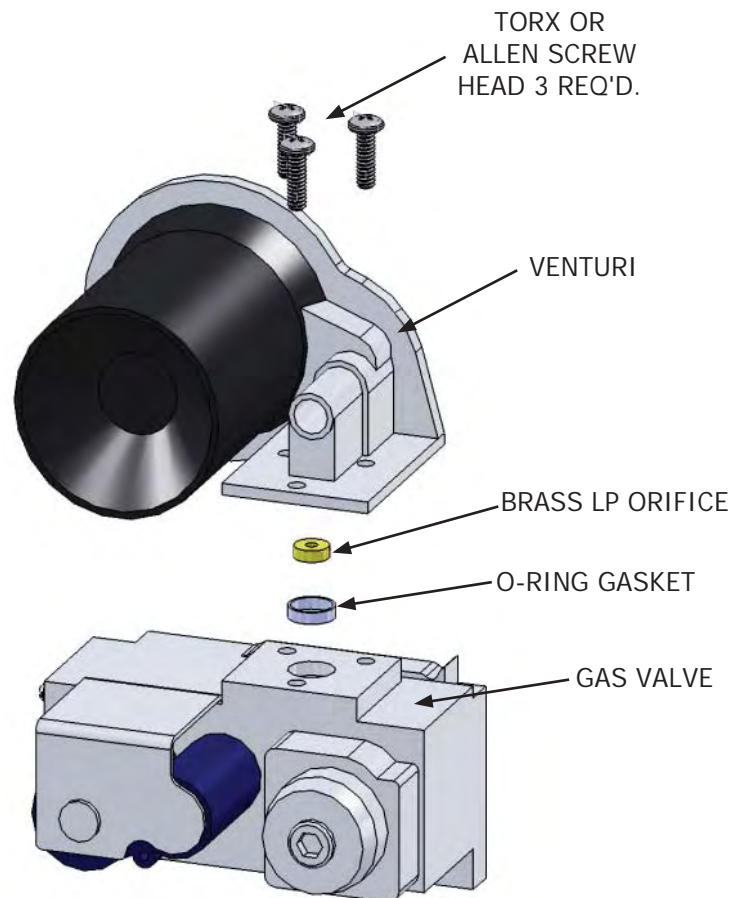


Figure - 2 Brass LP Orifice



Converting Boiler From LP To Natural Gas:

1. Remove upper jacket from boiler.
2. Carefully separate venturi body from gas valve by removing (3) T-20 screws.
3. Remove orifice as shown in Figure 1, leaving O-ring gasket in place.
4. Connect Venturi body to gas valve using (3) T-20 screws.
5. Place LP to Natural and Converted by labels onto boiler as shown in Figure 3.
6. Replace upper jacket.
7. Follow instructions in "Start-up Procedure" section of boiler's Installation, Operation & Maintenance Manual for proper startup and verification procedures.

Table 1 - LP Orifice

Propane Orifice Chart		
Model	Part No.	Size
050	240008864	3.8mm
075	1350018	3.9mm
100	240008263	4.6mm
150	240008865	5.4mm
200	240008866	5.9mm

Figure - 3 Conversion Label Placement

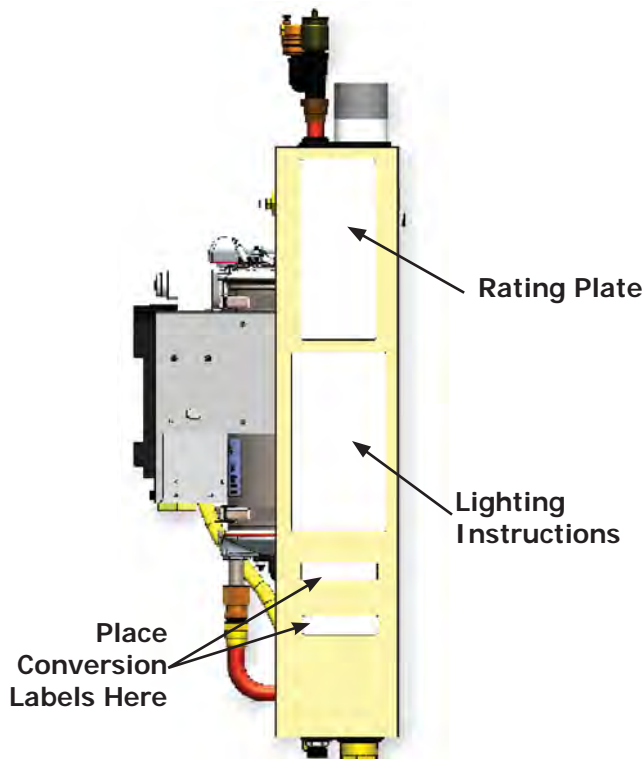


Table 2 - Parts Lists

050 Gas Conversion Kit # 550002303		
DESCRIPTION	PART #	QTY
Orifice, LP, 3.8mm	240008864	1
Label, "Converted By"	240008688	2
Label, "Nat to LP" conversion plate	240008961	1
Label, "LP to Nat" conversion plate	240008962	1
Instructions	240008957	1
075 Gas Conversion Kit # 550002304		
DESCRIPTION	PART #	QTY
Orifice, LP, 3.9mm	1350018	1
Label, "Converted By"	240008688	2
Label, "Nat to LP" conversion plate	240008961	1
Label, "LP to Nat" conversion plate	240008962	1
Instructions	240008957	1
100 Gas Conversion Kit #550002305		
DESCRIPTION	PART #	QTY
Orifice, LP, 4.6mm	240008263	1
Label, "Converted By"	240008688	2
Label, "Nat to LP" conversion plate	240008961	1
Label, "LP to Nat" conversion plate	240008962	1
Instructions	240008960	1
150 Gas Conversion Kit #550002306		
DESCRIPTION	PART #	QTY
Orifice, LP, 5.4mm	240008865	1
Label, "Converted By"	240008688	2
Label, "Nat to LP" conversion plate	240008961	1
Label, "LP to Nat" conversion plate	240008962	1
Instructions	240008957	1
200 Gas Conversion Kit #550002307		
DESCRIPTION	PART #	QTY
Orifice, LP, 5.9mm	240008866	1
Label, "Converted By"	240008688	2
Label, "Nat to LP" conversion plate	240008961	1
Label, "LP to Nat" conversion plate	240008962	1
Instructions	240008957	1