



## Models

DKVLT-050

DKVLT-075

DKVLT-100

DKVLT-150

DKVLT-200

# HELIX<sup>VLT</sup>

VERTICAL LASER TUBE

WALL MOUNTED  
CONDENSING GAS BOILER

**PARTS, KITS &  
OPTIONAL ACCESSORIES**



Manufactured by:

**ECR International, Inc.**

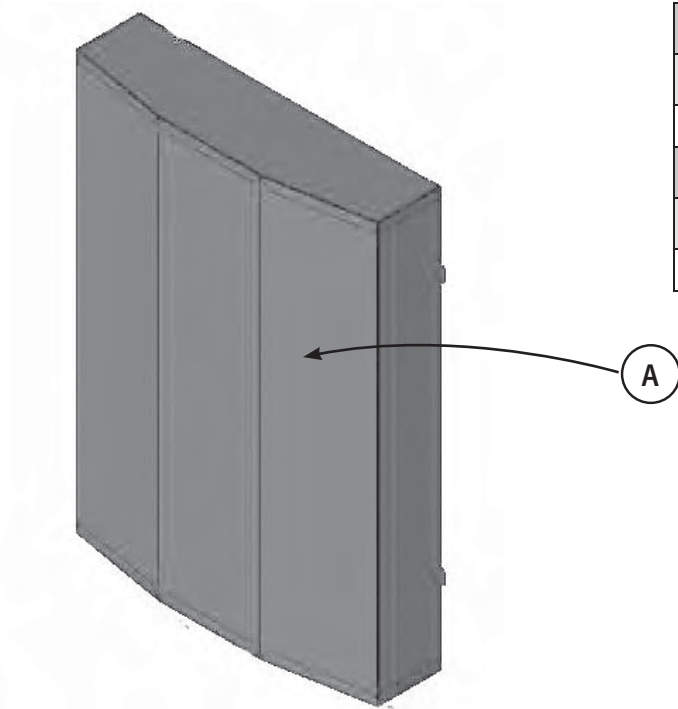
2201 Dwyer Avenue, Utica NY 13504-4729

web site: [www.ecrinternational.com](http://www.ecrinternational.com)

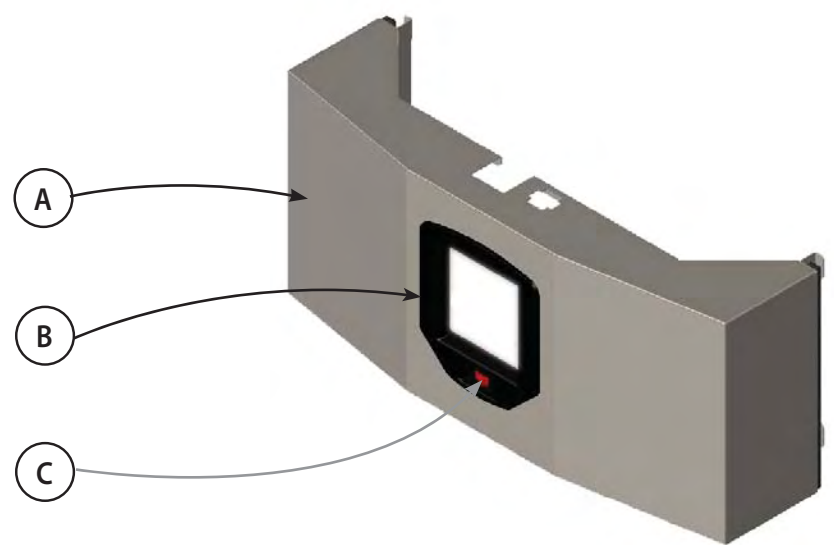
P/N# 240008889, Rev. A [05/2011]

This Page Intentionally Left Blank

## PARTS & KITS



<b>050/075/100 Upper Jacket Kit # 550002309</b>			
Item	DESCRIPTION	PART #	QTY
A	Upper Jacket w/Gasket	-	1
<b>150/200 Upper Jacket Kit # 550002310</b>			
Item	DESCRIPTION	PART #	QTY
A	Upper Jacket w/Gasket	-	1



<b>050/075/100 Lower Jacket Kit # 550002313</b>				
Jacket Kit 550002313 includes all items listed	Item	DESCRIPTION	PART #	QTY
	A	Lower Jacket Assembly w/gasket	-	1
	B	Plastic Bezel	108000182	1
	C	Rocker Switch 10A,250V,LRA91	1500012	1
<b>150/200 Lower Jacket Kit # 550002314</b>				
Jacket Kit 550002314 includes all items listed	Item	DESCRIPTION	PART #	QTY
	A	Lower Jacket Assembly w/gasket	-	1
	B	Plastic Bezel	108000182	1
	C	Rocker Switch 10A,250V,LRA91	1500012	1

**PARTS & KITS**



## PARTS & KITS

### 050 Heat Exchanger Kit # 550002271

Heat Exchanger Kit #550002271 includes all items listed	ITEM	DESCRIPTION	PART #	QTY
	A	Heat Exchanger Module (includes: Igniter, Flame Sensor)	-	1
	B	Fitting Compression, Straight 20mm, tube x 3/4 NPT	-	1
	C	Fitting, Compression 90°, 20 mm tube x 3/4 NPT	-	1
	*	Instructions	240008928	1

### 075 Heat Exchanger Kit # 550002272

Heat Exchanger Kit #550002272 includes all items listed	ITEM	DESCRIPTION	PART #	QTY
	A	Heat Exchanger Module (includes: Igniter, Flame Sensor)	-	1
	B	Fitting Compression, Straight 20mm, tube x 3/4 NPT	-	1
	C	Fitting, Compression 90°, 20 mm tube x 3/4 NPT	-	1
	*	Instructions	240008928	1

### 100 Heat Exchanger Kit # 550002273

Heat Exchanger Kit #550002273 includes all items listed	ITEM	DESCRIPTION	PART #	QTY
	A	Heat Exchanger Module (includes: Igniter, Flame Sensor)	-	1
	B	Fitting Compression, Straight 20mm, tube x 3/4 NPT	-	1
	C	Fitting, Compression 90°, 20 mm tube x 3/4 NPT	-	1
	*	Instructions	240008928	1

### 150 Heat Exchanger Kit # 550002274

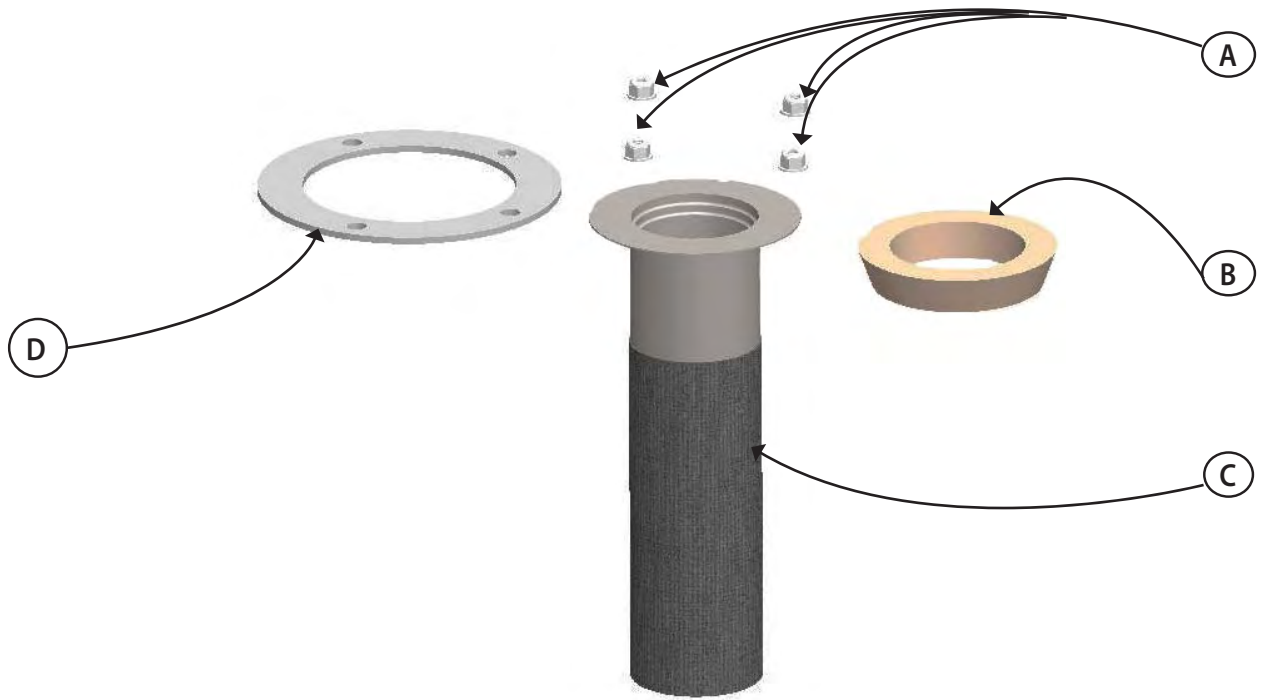
Heat Exchanger Kit #550002274 includes all items listed	ITEM	DESCRIPTION	PART #	QTY
	A	Heat Exchanger Module (includes: Igniter, Flame Sensor)	-	1
	B	Fitting Compression, Straight 25 mm, tube x 1 NPT	-	1
	C	Fitting, Compression 90°, 25 mm tube x 1 NPT	-	1
	*	Instructions	240008928	1

### 200 Heat Exchanger Kit # 550002275

Heat Exchanger Kit #00002275 includes all items listed	ITEM	DESCRIPTION	PART #	QTY
	A	Heat Exchanger Module (includes: Igniter, Flame Sensor)	-	1
	B	Fitting Compression, Straight 25 mm, tube x 1 NPT	-	1
	C	Fitting, Compression 90°, 25 mm tube x 1 NPT	-	1
	*	Instructions	240008928	1

\* Not Shown

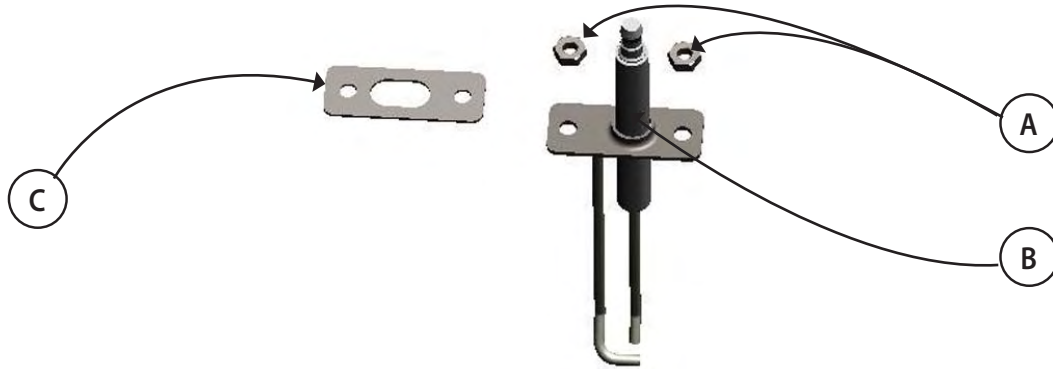
**PARTS & KITS**



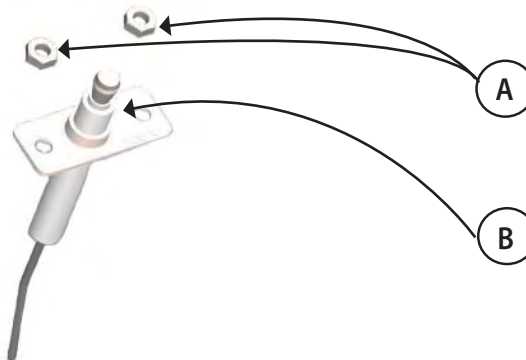
## PARTS & KITS

<b>050 Replacement Burner Kit # 550002276</b>				
	<b>ITEM</b>	<b>DESCRIPTION</b>	<b>PART #</b>	<b>QTY</b>
Replacement Burner Kit #550002276 includes all items listed	<b>A</b>	1/4-20 Nut	-	4
	<b>B</b>	Burner Sleeve, Refractory	-	1
	<b>C</b>	Burner 50K BTU	-	1
	<b>D</b>	Gasket, Air/Fuel Inlet	-	1
	<b>*</b>	Instructions	240008933	1
<b>075 Replacement Burner Kit # 550002277</b>				
	<b>ITEM</b>	<b>DESCRIPTION</b>	<b>PART #</b>	<b>QTY</b>
Replacement Burner Kit #550002277 includes all items listed	<b>A</b>	1/4-20 Nut	-	4
	<b>B</b>	Burner Sleeve, Refractory	-	1
	<b>C</b>	Burner 75K BTU	-	1
	<b>D</b>	Gasket, Air/Fuel Inlet	-	1
	<b>*</b>	Instructions	240008933	1
<b>100 Replacement Burner Kit # 550002278</b>				
	<b>ITEM</b>	<b>DESCRIPTION</b>	<b>PART #</b>	<b>QTY</b>
Replacement Burner Kit #550002278 includes all items listed	<b>A</b>	1/4-20 Nut	-	4
	<b>B</b>	Burner Sleeve, Refractory	-	1
	<b>C</b>	Burner 100K BTU	-	1
	<b>D</b>	Gasket, Air/Fuel Inlet	-	1
	<b>*</b>	Instructions	240008933	1
<b>150/200 Replacement Burner Kit # 550002279</b>				
	<b>ITEM</b>	<b>DESCRIPTION</b>	<b>PART #</b>	<b>QTY</b>
Replacement Burner Kit #550002279 includes all items listed	<b>A</b>	1/4-20 Nut	-	4
	<b>B</b>	Burner Sleeve, Refractory	-	1
	<b>C</b>	Burner 150/200K BTU	-	1
	<b>D</b>	Gasket, Air/Fuel Inlet	-	1
	<b>*</b>	Instructions	240008933	1
<b>50/075/100/150/200 Burner Inspection Kit # 550002280</b>				
	<b>ITEM</b>	<b>DESCRIPTION</b>	<b>PART #</b>	<b>QTY</b>
Replacement Inspection Kit #550002280 includes all items listed	<b>A</b>	1/4-20 Nut	-	4
	<b>B</b>	Burner Sleeve, Refractory	-	1
	<b>D</b>	Gasket, Air/Fuel Inlet	-	1
	<b>*</b>	Instructions	240008931	1
* Not Shown				

**PARTS & KITS**



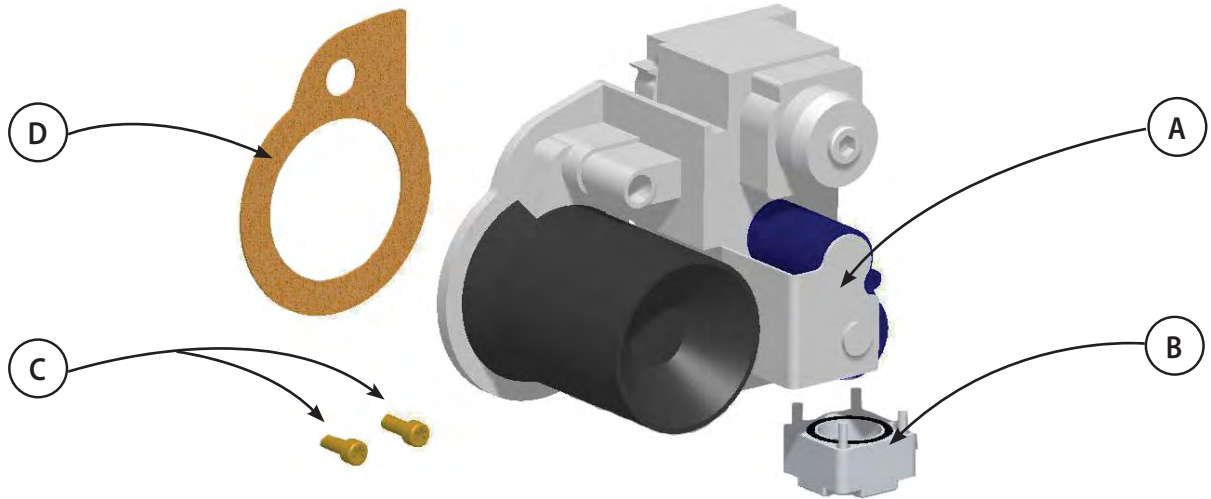
<b>050/075/100 Igniter Kit # 550002281</b>				
	ITEM	DESCRIPTION	PART #	QTY
Igniter Kit #550002281 includes all items listed	A	8-32, Nut	-	2
	B	Igniter	-	1
	C	Igniter Gasket	-	1
	*	Instructions	240008592	1
<b>150/200 Igniter Kit # 550002282</b>				
	ITEM	DESCRIPTION	PART #	QTY
Igniter Kit #550002282 includes all items listed	A	8-32, Nut	-	2
	B	Igniter	-	1
	C	Igniter Gasket	-	1
	*	Instructions	240008592	1
* Not Shown				



<b>050/075/100 Flame Sensor Kit # 550002283</b>				
	ITEM	DESCRIPTION	PART #	QTY
Flame Rod Kit #550002283 includes all items listed	A	8-32, Nut	-	2
	B	Sensor, Flame	-	1
	*	Instructions	240008593	1
	<b>150/200 Flame Sensor Kit # 550002284</b>			
	ITEM	DESCRIPTION	PART #	QTY
Flame Rod Kit #550002284 includes all items listed	A	8-32, Nut	-	2
	B	Sensor, Flame	-	1
	*	Instructions	240008593	1
	* Not Shown			

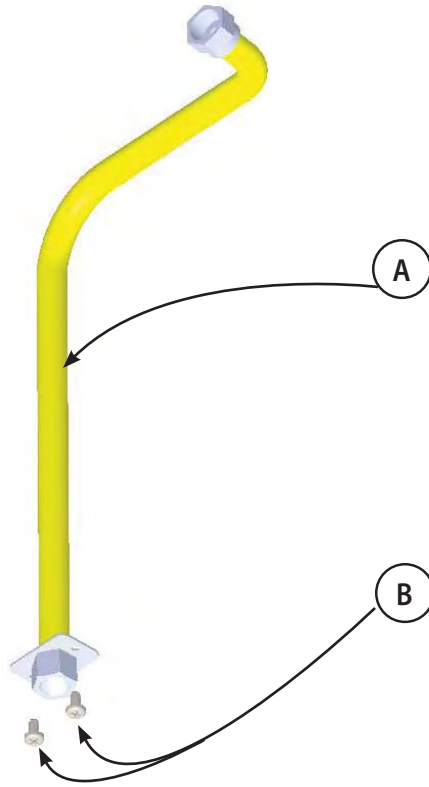


## PARTS & KITS



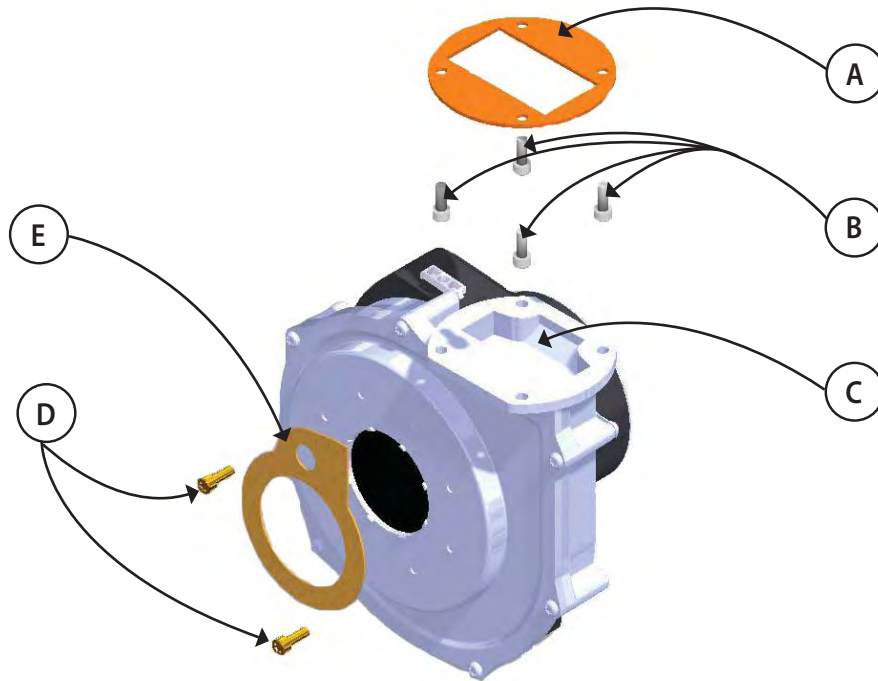
<b>050 Gas Valve Kit # 550002329</b>				
Gas Valve Kit #550002287 includes all items listed	A	Gas Valve, 050, VK4115V	-	1
	B	1/2" Flange 45900 400-122B O-Rings & Screws	1235008	1
	C	Screw, T25 Torx	-	2
	D	Gasket, Cork	1250021	1
	*	Instructions	240008939	1
<b>075 Gas Valve Kit # 550002285</b>				
	ITEM	DESCRIPTION	PART #	QTY
Gas Valve Kit #550002285 includes all items listed	A	Gas Valve, 075, VK4115V	-	1
	B	1/2" Flange 45900 400-122B O-Rings & Screws	1235008	1
	C	Screw, T25 Torx	-	2
	D	Gasket, Cork	1250021	1
	*	Instructions	240008939	1
<b>100 Gas Valve Kit # 550002286</b>				
Gas Valve Kit #550002286 includes all items listed	A	Gas Valve, 100, VK4115V	-	1
	B	1/2" Flange 45900 400-122B O-Rings & Screws	1235008	1
	C	Screw, T25 Torx	-	2
	D	Gasket, Cork	1250021	1
	*	Instructions	240008939	1
<b>150 Gas Valve Kit # 550002287</b>				
Gas Valve Kit #550002287 includes all items listed	A	Gas Valve, 150, VK4115F	-	1
	B	1/2" Flange 45900 400-122B O-Rings & Screws	1235008	1
	C	Screw, T25 Torx	-	2
	D	Gasket, Cork	1250021	1
	*	Instructions	240008939	1
<b>200 Gas Valve Kit # 550002288</b>				
Gas Valve Kit #550002288 includes all items listed	A	Gas Valve, 200, VK4115F	-	1
	B	1/2" Flange 45900 400-122B O-Rings & Screws	1235008	1
	C	Screw, T25 Torx	-	2
	D	Gasket, Cork	1250021	1
	*	Instructions	240008939	1
* Not Shown				

## PARTS & KITS



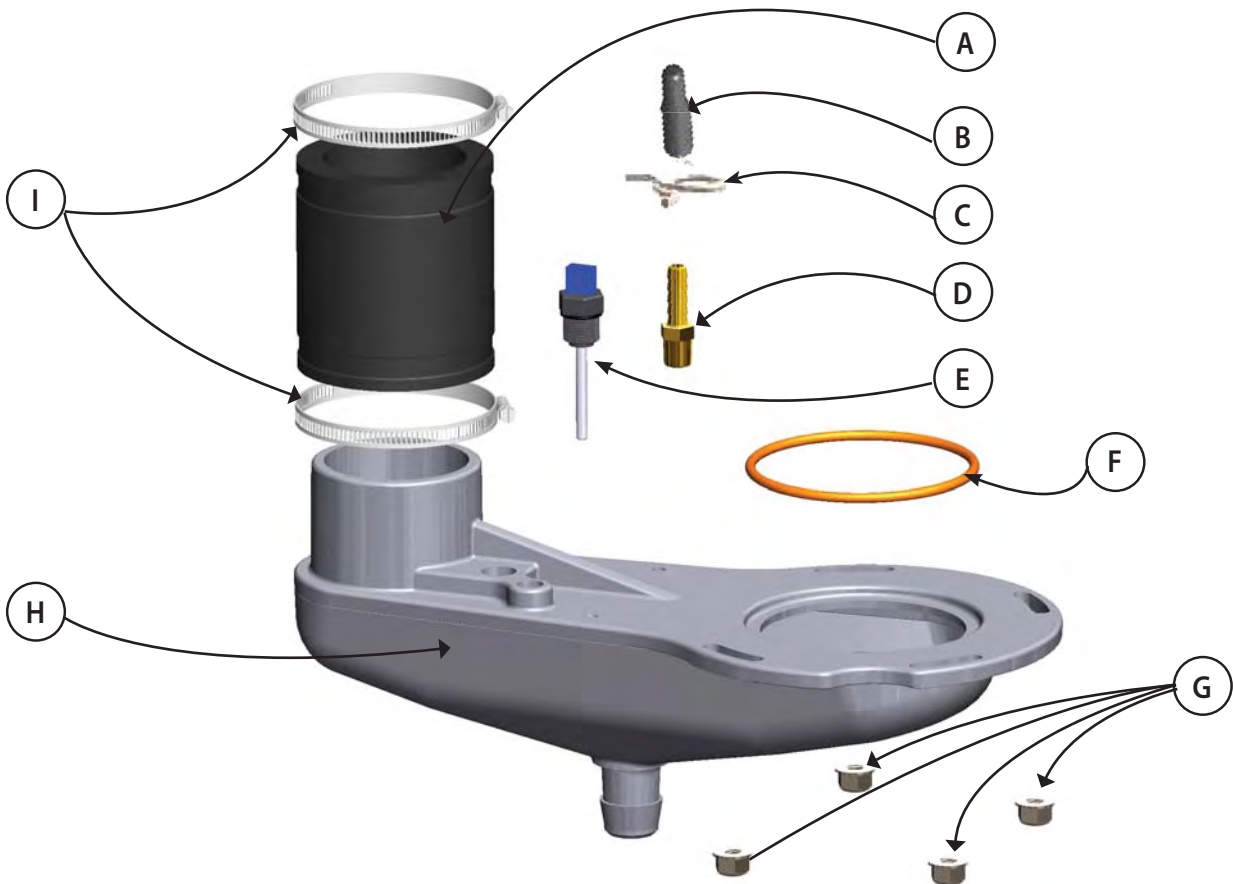
<b>050/075/100 Flexible Gas Line Kit # 550002289</b>				
Flexible Gas Line Kit #550002289 includes all items listed	ITEM	DESCRIPTION	PART #	QTY
	A	Flexible Gas Line 23½"	-	1
	B	Screw, 12-24x1/2 Type F, Philips, PH Zinc	-	2
	*	Instructions	240008941	1
<b>150/200 Flexible Gas Line Kit # 550002290</b>				
Flexible Gas Line Kit #550002290 includes all items listed	ITEM	DESCRIPTION	PART #	QTY
	A	Flexible Gas Line 28"	-	1
	B	Screw, 12-24x1/2 Type F, Philips, PH Zinc	-	2
	*	Instructions	240008941	1
* Not Shown				

## PARTS, KITS



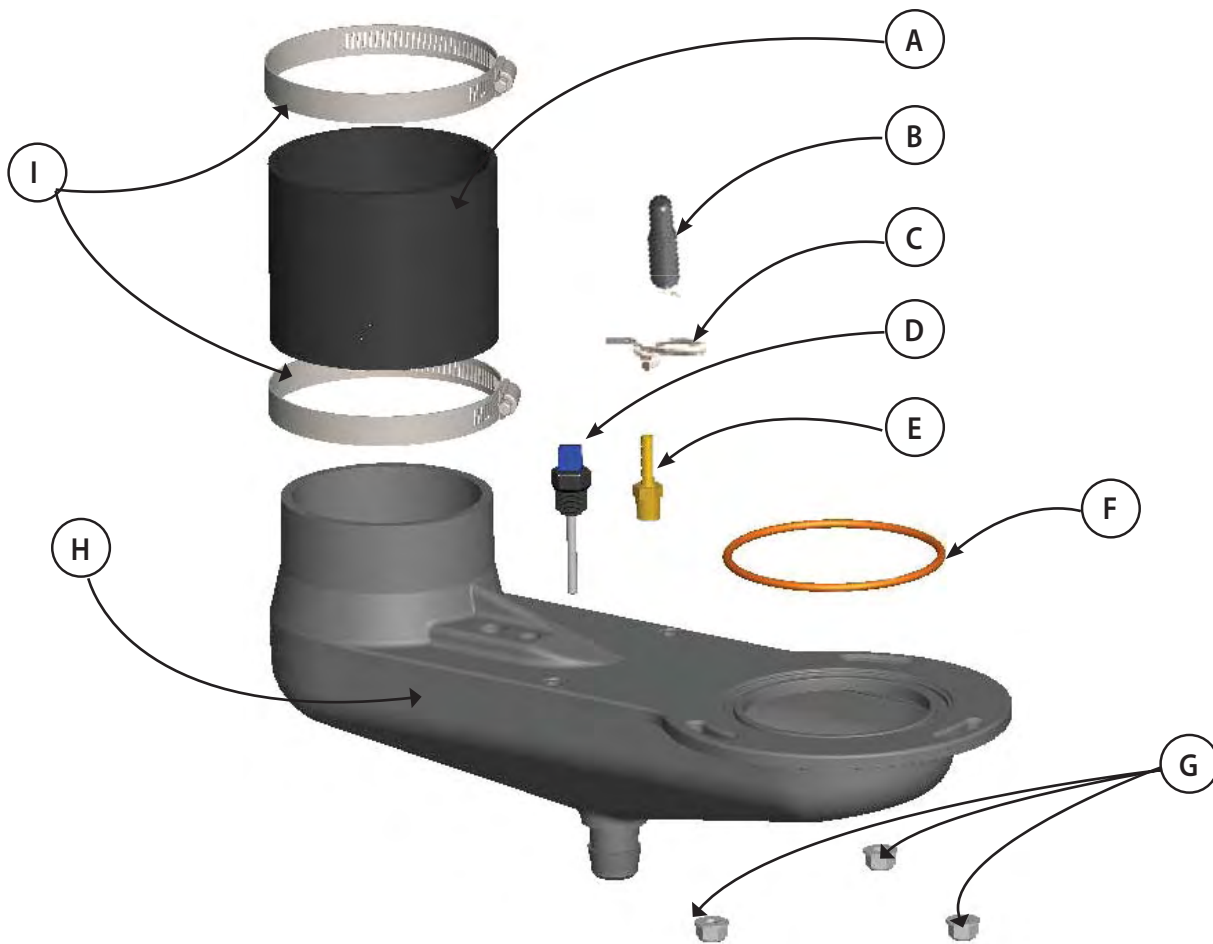
<b>050/075/100 Blower Kit # 550002291</b>				
	ITEM	DESCRIPTION	PART #	QTY
Blower Motor Kit #550002291 includes all items listed	A	Red Gasket, Fan/Transition Piece	1250007	1
	B	Screw, 10-24 X 1/2" SS Socket Head Cap	-	4
	C	Blower, 120 V 50/60 HZ, RG130/0800-3612	-	1
	D	Screw, T25 Torx	-	2
	E	Gasket, Cork	1250021	1
	*	Instructions	240008943	1
<b>150 Blower Kit # 550002292</b>				
	ITEM	DESCRIPTION	PART #	QTY
Blower Motor Kit #550002292 includes all items listed	A	Red Gasket, Fan/Transition Piece	1250007	1
	B	Screw, 10-24 X 1/2" SS Socket Head Cap	-	4
	C	Blower, 120 V 50/60 HZ, RG148/1200-3612	-	1
	D	Screw, T25 Torx	-	2
	E	Gasket, Cork	1250021	1
	*	Instructions	240008943	1
<b>200 Blower Kit # 550002293</b>				
	ITEM	DESCRIPTION	PART #	QTY
Blower Motor Kit #550002293 includes all items listed	A	Red Gasket, Fan/Transition Piece	1250007	1
	B	Screw, 10-24 X 1/2" SS Socket Head Cap	-	4
	C	Blower, 120 V 50/60 HZ, RG148/1200-3633	-	1
	D	Screw, T25 Torx	-	2
	E	Gasket, Cork	1250021	1
	*	Instructions	240008943	1
* Not Shown				

**PARTS, KITS**



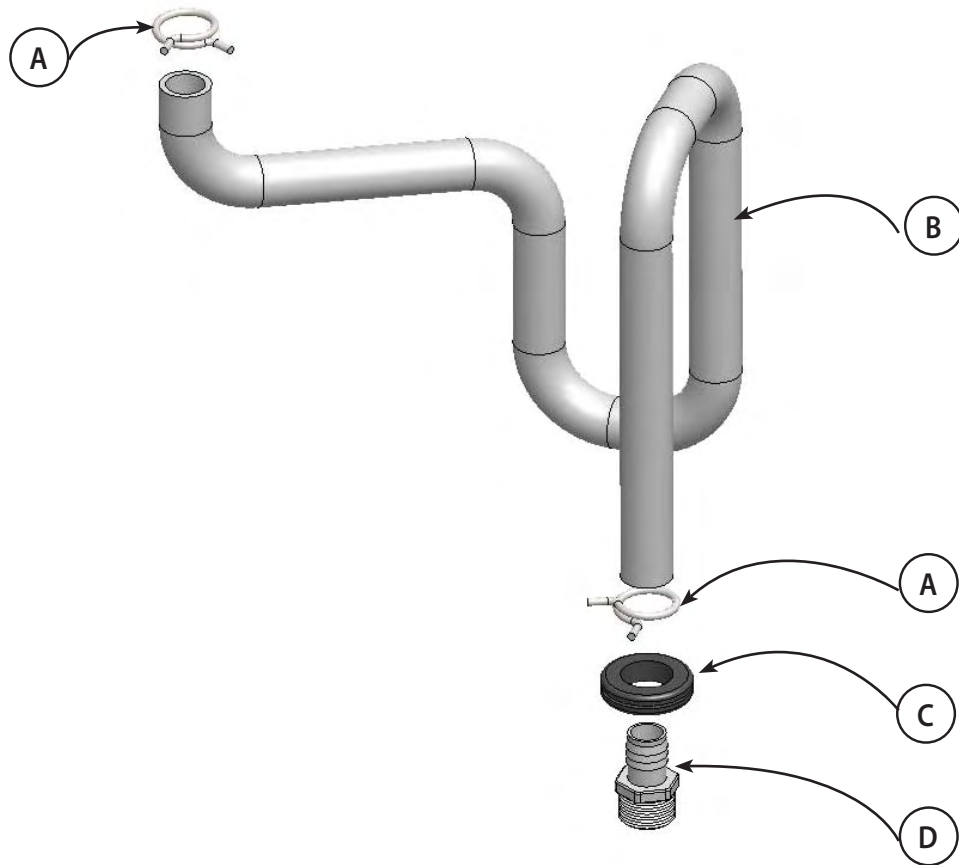
<b>050/075/100 Condensate Collector Kit # 550002294</b>				
	ITEM	DESCRIPTION	PART #	QTY
Condensate Collector Kit #550002294 includes all items listed	A	Flexible Coupling	-	1
	B	Cap black vinyl 3/16"	1230006	1
	C	Clamp, Spring Tension	1110001	1
	D	Hose Barb	1230010	1
	E	Sensor, Vent Temperature	240008227	1
	F	Gasket, Condensate Collector	240008261	1
	G	Nut, 1/4-20 HWS	-	4
	H	Condensate Collector Plastic	-	1
	I	Hose Clamp	-	2
	*	Instructions	240008946	1
* Not Shown				

**PARTS, KITS**



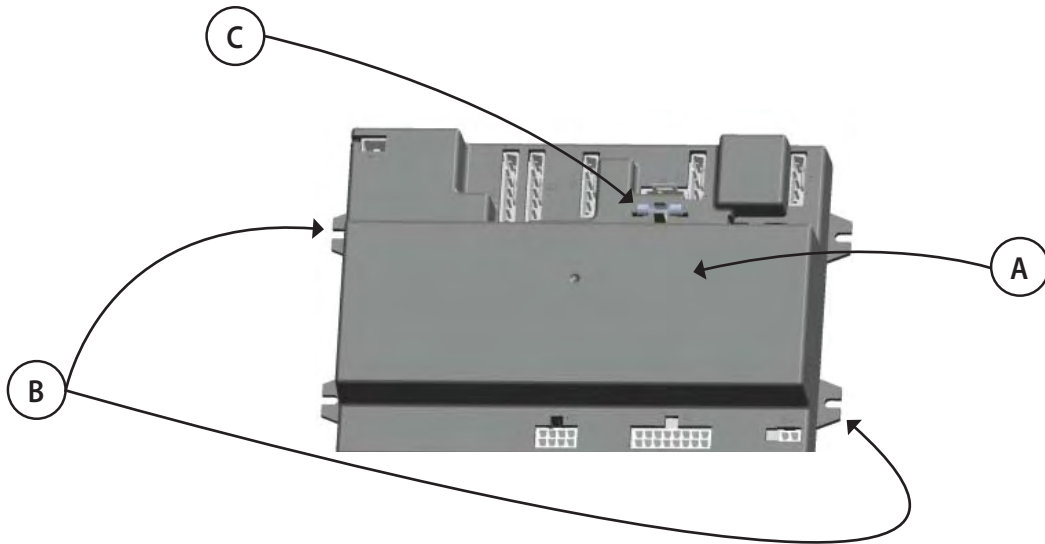
<b>150/200 Condensate Collector Kit # 550002295</b>				
	ITEM	DESCRIPTION	PART #	QTY
Condensate Collector Kit #550002295 includes all items listed	A	Flexible Coupling	-	1
	B	Cap black vinyl 3/16"	1230006	1
	C	Clamp, Spring Tension	1110001	1
	D	Sensor, Vent Temperature	240008227	1
	E	Hose Barb	1230010	1
	F	Gasket, Condensate Collector	240008699	1
	G	Nut, 1/4-20 HWS	-	3
	H	Condensate Collector Plastic	-	1
	I	Hose Clamp	-	2
	*	Instructions	240008946	1
* Not Shown				

**PARTS, KITS**



<b>050/075/100 Condensate Trap Kit # 550002296</b>				
	ITEM	DESCRIPTION	PART #	QTY
Condensate Trap Kit #550002296 includes all items listed	A	Collet Clip, 1-1/8"	240008406	2
	B	Condensate Trap	-	1
	C	Grommet, Heyco 1" ID x 1.75" OD	-	1
	D	Coupling, Barbed 3/4"	-	1
	*	Instructions	240008948	1
<b>150/200 Condensate Trap Kit # 550002297</b>				
	ITEM	DESCRIPTION	PART #	QTY
Condensate Trap Kit #550002297 includes all items listed	A	Collet Clip, 1-1/8"	240008406	2
	B	Condensate Trap	-	1
	C	Grommet, Heyco 1" ID x 1.75" OD	-	1
	D	Coupling, Barbed 3/4"	-	1
	*	Instructions	240008948	1
* Not Shown				

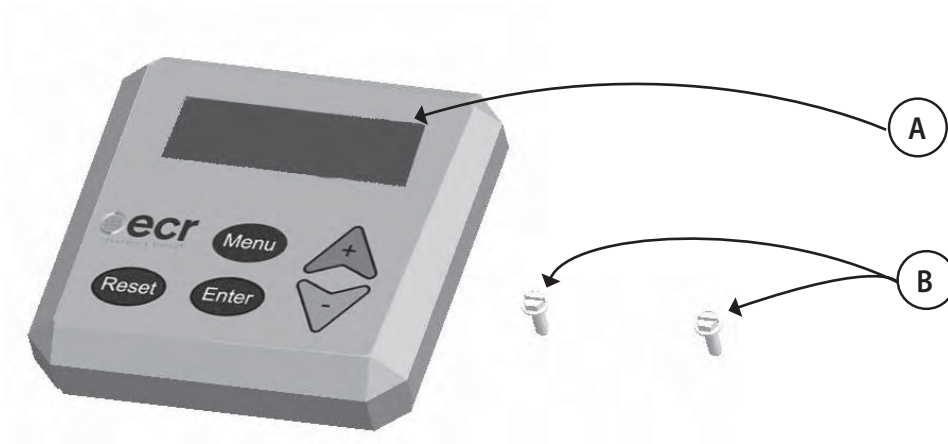
## PARTS, KITS



### 050/075/100/150/200 Control Module Kit # 550002298

	ITEM	DESCRIPTION	PART #	QTY
Control Board Kit #550002298 includes all items listed	A	Control Module	-	1
	B	Screw, 8-32x3/8, HWH, Slot Self Tapping	-	4
	C	Fuse, 3.15A ac, 250V, Slo-Blo Glass 5x20mm (Additional fuse is included with control module on Boiler)	240008665	1
	*	Instructions	240008950	1

\* Not Shown



### 050/075/100/150/200 User Interface Kit # 550002299

	ITEM	DESCRIPTION	PART #	QTY
User Interface Kit #550002299 includes all items listed	A	User Interface Control	-	1
	B	Screw, 8x1/2 B, HWH, Slot, SZN	-	2
	*	Instructions	240008930	1

\* Not Shown

**PARTS, KITS**

<b>050/075/100 Wire Harness Kit # 550002300</b>			
	DESCRIPTION	PART #	QTY
Wire Harness Kit #550002300 includes all items listed	Main Boiler Wiring Assembly Harness	-	1
	User Interface Wiring Harness	-	1
	Bushing Standard Heyco #1240	-	1
	Screw, 6x3/8, Type B HPH, SZN	-	2
	Screw, 8-32x5/16, Self Tapping, Ground, Green	-	1
	Instructions	240008953	1

<b>150/200 Wire Harness Kit # 550002301</b>			
	DESCRIPTION	PART #	QTY
Wire Harness Kit #550002301 includes all items listed	Main Boiler Wiring Assembly Harness	-	1
	User Interface Wiring Harness	-	1
	Cord Grip, 1/2 NPT	-	1
	Screw, 6x3/8, Type B HPH, SZN	-	2
	Screw, 8-32x5/16, Self Tapping, Ground, Green	-	1
	Instructions	240008953	1

<b>050/075/100/150/200 Service/Starter Kit # 550002302</b>			
	DESCRIPTION	PART #	QTY
Service/ Starter Kit #550002302 includes all items listed	Rocker Switch (Service Switch)	1500012	1
	Transformer, 120V Primary, 24 Volt Secondary, 15 VA	240008279	1
	Frame, Terminal Block, Phoenix 1852121, 12 Pos	240008835	1
	Screw 2.5X6mm,TYPE TR-M,Phillips,PH, Zinc (for frame)	240008408	1
	Connector, 12-Position, Plug, Phoenix 1792346	240008836	2
	Instructions	240008955	1



## PARTS, KITS

Replacement Parts		
	DESCRIPTION	PART #
	Igniter Cable	240008844
	Sight Glass	240008235
	Pump, Grundfos UP15-42F (050/075/100)	240008246
	Pump, Grundfos UP26-99 (150/200)	240008701
	Boiler Drain Valve	14622000
	LWCO, Hydrolevel Safeguard 1100 MINI, 24 VAC	240008250
	High Temperature Supply Switch	240008290
	Sensor, Return Water	240008226
	Sensor, Flue	240008227
	Clamp, 1-1/8" Spring Tension (Condensate Trap)	240008406

Replacement Parts		
	DESCRIPTION	PART #
	Ball Valve 1/2" Female NPT x 5/8", FLR (Gas Shutoff valve)	240008297
	Safety Relief Valve (30 PSI) Conbraco 10-407-05	VR-001.01
	Air Vent, Watts FV-4M1, 1/4 NPT	240008458
	Wall Bracket	109008079
	Cap Black Vinyl 3/16"	1230006
	Clamp, Spring Tension (Condensate Collector)	1110001
Replacement Parts		
	DESCRIPTION	PART #
Not Shown	Sensor, Outdoor	240008225
Not Shown	Gauge, Temperature Pressure, 2" shank	1260006
Not Shown	Fuse, 3.15A ac, 250V, Slo-Blo Glass 5x20mm	240008665
Not Shown	Bezel, Plastic	108000182
Not Shown	Rocker Switch 10A,250V,LRA91	1500012

## OPTIONAL ACCESSORIES

<b>050 Gas Conversion Kit # 550002303</b>			
	DESCRIPTION	PART #	QTY
Conversion Kit #550002303 includes all items listed	Orifice, LP, 3.8mm	-	1
	Label, "Converted By"	-	2
	Label, "Nat to LP" conversion plate	-	1
	Label, "LP to Nat" conversion plate	-	1
	Instructions	240008957	1
	<b>075 Gas Conversion Kit # 550002304</b>		
	DESCRIPTION	PART #	QTY
Conversion Kit #550002304 includes all items listed	Orifice, LP, 3.9mm	-	1
	Label, "Converted By"	-	2
	Label, "Nat to LP" conversion plate	-	1
	Label, "LP to Nat" conversion plate	-	1
	Instructions	240008957	1
	<b>100 Gas Conversion Kit # 550002305</b>		
	DESCRIPTION	PART #	QTY
Conversion Kit #550002305 includes all items listed	Orifice, LP, 4.6mm	-	1
	Label, "Converted By"	-	2
	Label, "Nat to LP" conversion plate	-	1
	Label, "LP to Nat" conversion plate	-	1
	Instructions	240008957	1
	<b>150 Gas Conversion Kit # 550002306</b>		
	DESCRIPTION	PART #	QTY
Conversion Kit #550002306 includes all items listed	Orifice, LP, 5.4mm	-	1
	Label, "Converted By"	-	2
	Label, "Nat to LP" conversion plate	-	1
	Label, "LP to Nat" conversion plate	-	1
	Instructions	240008957	1
	<b>200 Gas Conversion Kit # 550002307</b>		
	DESCRIPTION	PART #	QTY
Conversion Kit #550002307 includes all items listed	Orifice, LP, 5.9mm	-	1
	Label, "Converted By"	-	2
	Label, "Nat to LP" conversion plate	-	1
	Label, "LP to Nat" conversion plate	-	1
	Instructions	240008957	1

## OPTIONAL ACCESSORIES

<b>Concentric Vent Kits</b>	
DESCRIPTION	PART #
2" Concentric Vent Kit <sup>(1)</sup>	29570
3" Concentric Vent Kit <sup>(2)</sup>	29571
<b>(1) 2" For use with 050/075/100</b>	
<b>(2) 3" For use with 075-200 only</b>	

<b>Multi Boiler Sensor Kit # 550002208</b>			
	DESCRIPTION	PART #	QTY
Multi Boiler Sensor Kit #550002208 includes all items listed	Sensor, 12K, NTC, 6x45MM	240008465	1
	Well, 1/2 NPT Copper/Brass	240008466	1
	Sensor Well Lock Clip	240008467	1
	Instructions, Multi Boiler Sensor	240008959	1



An ISO 9001-2008 Certified Company

ECR International, Inc.

2201 Dwyer Ave

Utica, NY 13501

[www.ecrinternational.com](http://www.ecrinternational.com)