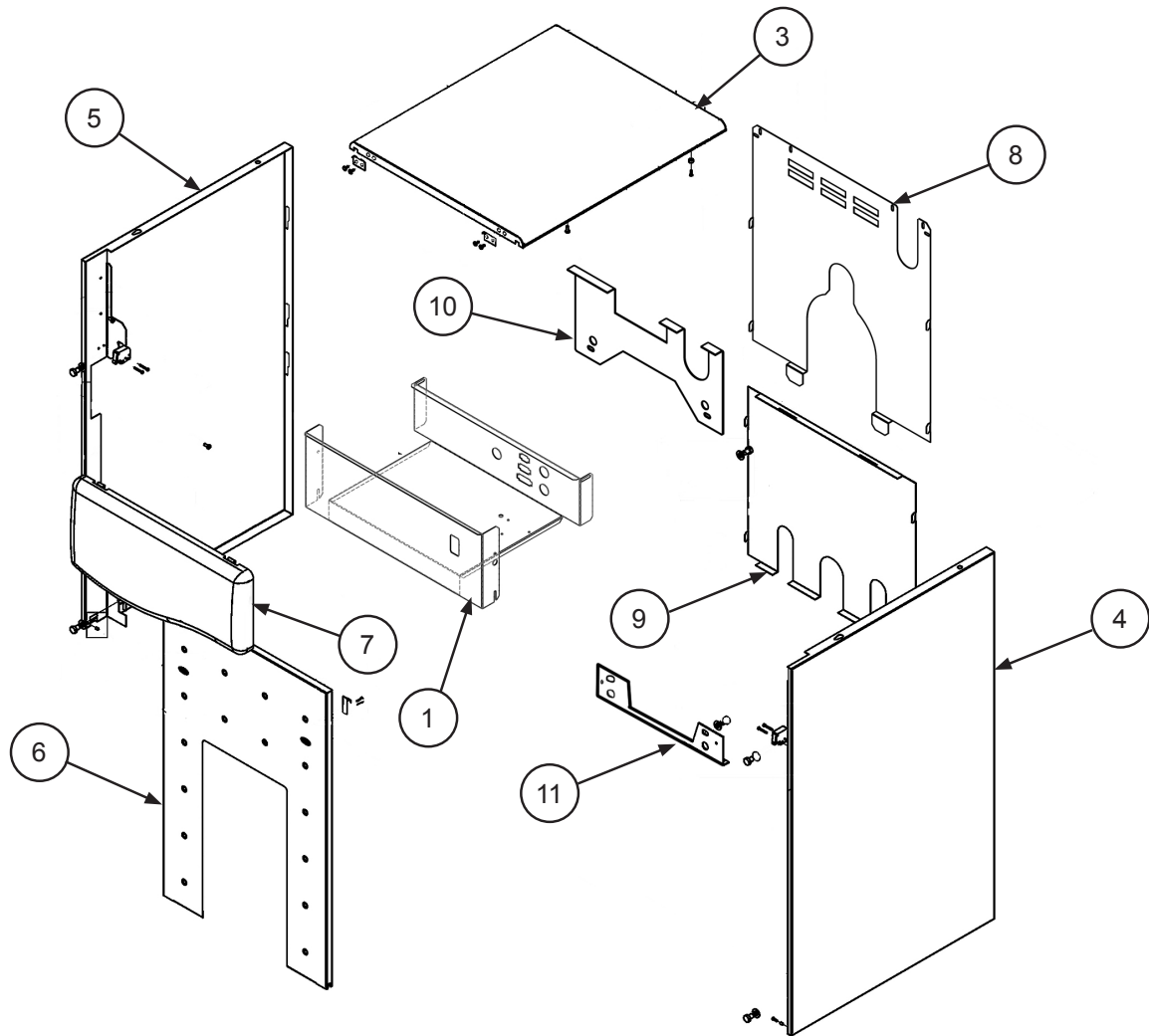


# High Efficiency Oil Fired Hot Water Boiler

## **REPAIR PARTS & OPTIONAL KITS**



# JACKET

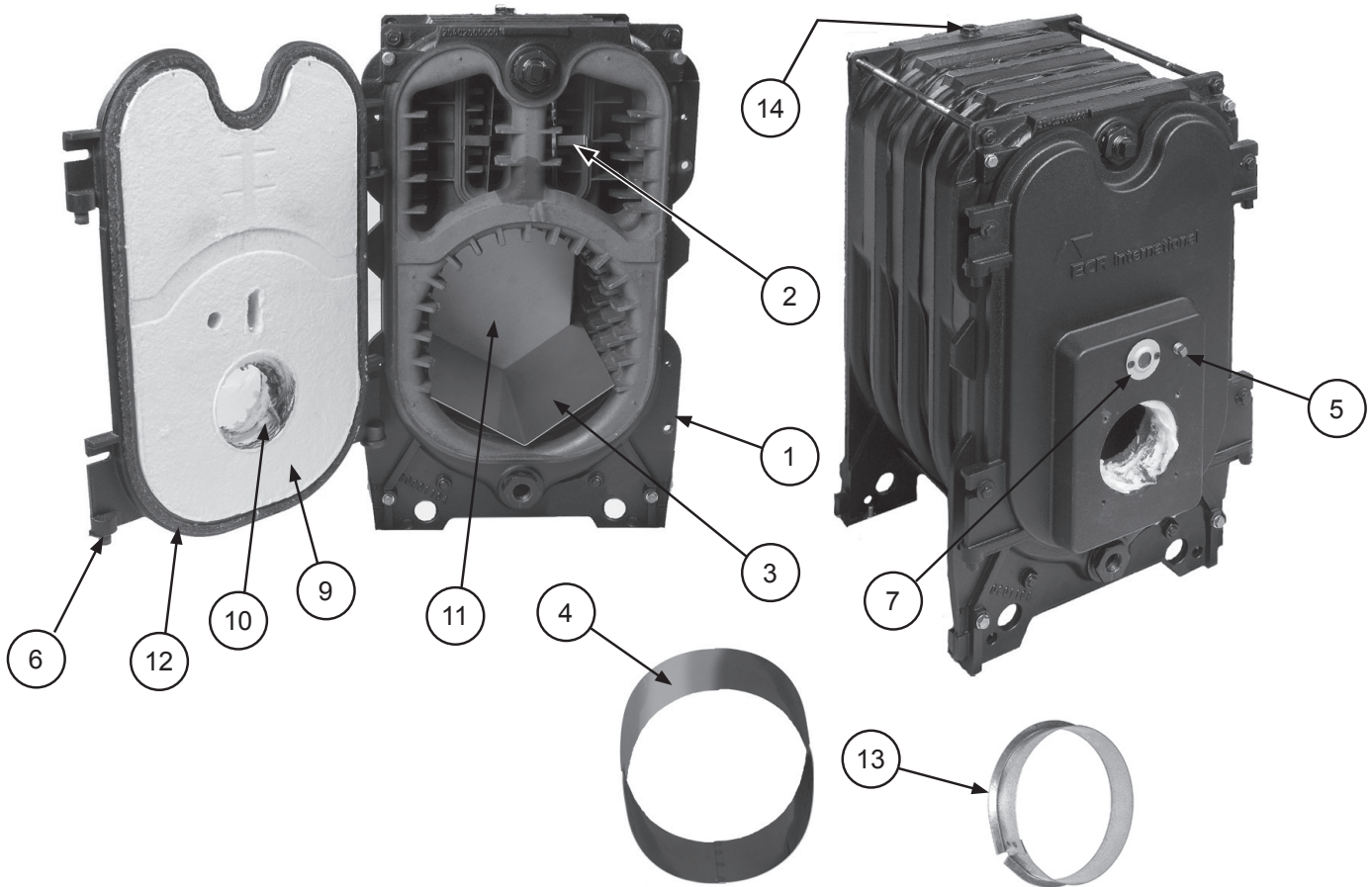


KEY	DESCRIPTION	4 SECTION	5 SECTION	6 SECTION	7 SECTION
	Complete Jacket Assembly	240007118	240007119	240007120	240007121
1	Control Panel	240007123	(Same)	(Same)	(Same)
2	Hardware Bag	550001937	(Same)	(Same)	(Same)
3	Top Panel	240007310	240007311	240007312	240007313
4	Right Panel	240007319	240007320	240007321	240007322
5	Left Panel	240007327	240007328	240007329	240007330
6	Front Panel	240007337	(Same)	(Same)	(Same)
7	Front Hinged Door	240007314	(Same)	(Same)	(Same)
8	Rear Panel, Upper	240007331	(Same)	(Same)	(Same)
9	Rear Panel, Lower	240007333	(Same)	(Same)	(Same)
10	Intermediate Support Plate - Upper	240007334	(Same)	(Same)	(Same)
11	Intermediate Support Plate - Lower	240007335	(Same)	(Same)	(Same)
12	Block Insulation Wrap*	240007339	240007340	240007341	240007342
13	Block Insulation Rear*	240007338	(Same)	(Same)	(Same)

(Same) = Same as 4 section.

\* = Not shown

## HEAT EXCHANGER

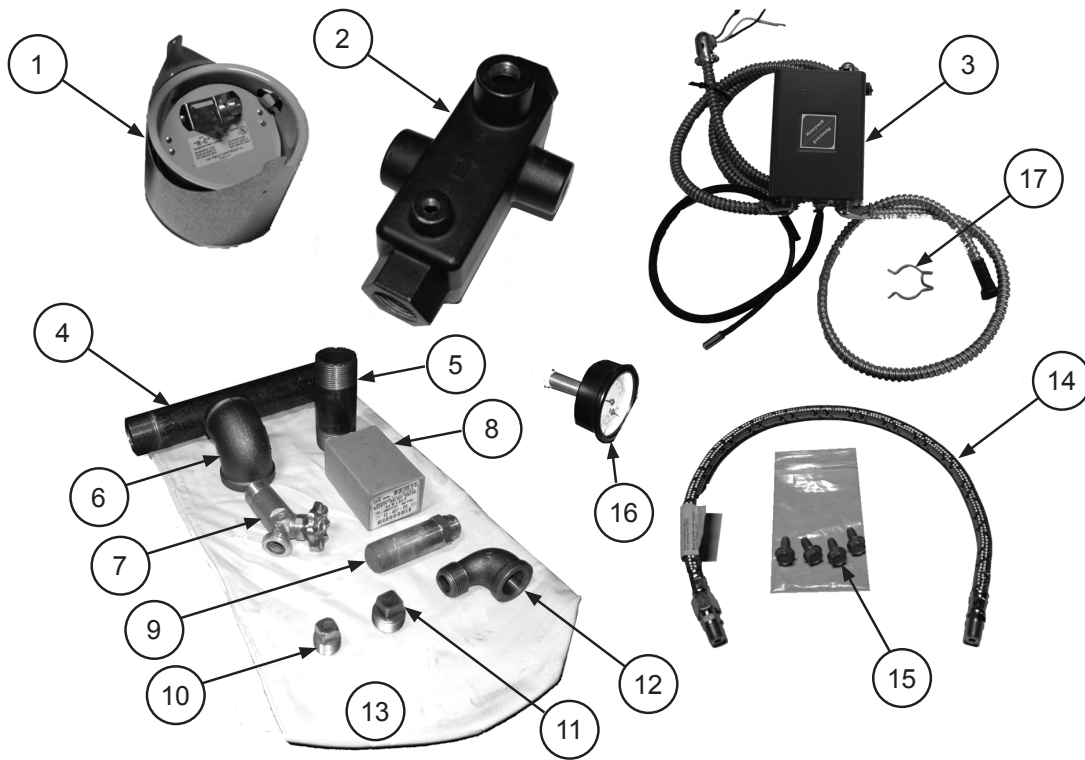


Item	Description	4 Section	5 Section	6 Section	7 Section
1	Heat Exchanger Block	240007131	240007132	240007133	240007134
2	Top Baffle	109007385	109007386	109007387	N/A
3	V-Shaped Liner	N/A	N/A	109007316	109007315
4	Stack (oval liner), 4 Section	109007317	N/A	N/A	N/A
5	1/4" NPT Plug	240005463	(Same)	(Same)	(Same)
6	Burner door with insulation & rope gasket	240007305	(Same)	(Same)	(Same)
7	Sight Glass Replacement Kit	550001932	(Same)	(Same)	(Same)
8	Door Hinge Kit (2 hinges included)	550001933	(Same)	(Same)	(Same)
9	Door insulation (hard)* (Front Door)	240007300	(Same)	(Same)	(Same)
10	Door Insulation (soft)* (Inner Burner Door)	240007301	(Same)	(Same)	(Same)
11	Target Wall Insulation*	240007302	(Same)	(Same)	(Same)
12	Door Rope Gasket*	240007390	(Same)	(Same)	(Same)
13	Flue Spacer	109007382	(Same)	(Same)	N/A
14	Well in Block	1635001	(Same)	(Same)	(Same)

(Same) = Same as 4 section.

\* WARNING: This product contains fiberglass and/or ceramic fibers. Possible cancer hazard. To avoid this possible hazard, avoid breathing fiberglass wool & ceramic fiber dust. May cause irritation to skin, eyes & respiratory tract.

## STANDARD CONTROLS & ACCESSORIES



Key	Description	Part Number
1a	Barometric Draft Control, 5" (4 thru 6 section)	240007166
1b	Barometric Draft Control, 6" (7 Section only)	14620007
2	Controls Manifold	240007049
3	Aquastat Control Assembly (USA)	3001387
3a	Aquastat Control	240007744
3b	Wire Harness, Aquastat	240007126
3c	Wire Harness, Circulator	37519501
3d	Temperature Sensor (36" Assembly)	240007733
4	1 1/4" x 10" Nipple	14607012
5	1 1/4" x 6" Nipple	14607017
6	1 1/4" x 90° Elbow	1190002
7	Drain Valve	HW-016.02
8	Relief Valve (30 PSI)	VR-001.01
9	Aquastat Mount & Plug	240007734
10	1/2" NPT Plug	1395003
11	3/4" NPT Plug	1395001
12	3/4" Street Elbow	14693040
13	Parts Bag	14684021
14	24" Flexible Oil Line	240007147
15	Burner attachment bolts - 5/16-18 X 3/4" LG	240007237
16	Temperature / Pressure Gauge	1260006
17	Well Clip	240008013

† = not shown

## OIL BURNERS

REPLACEMENT BURNERS				
Description	4 Section	5 Section	6 Section	7 Section
Oil Burner - Beckett AFG w/ cover	240007144	240007145	240007146	240007183
Oil Burner - Beckett AFG w/o cover	240007232	240007233	240007234	240007235
Oil Burner - Beckett NX	240007531	240007532	240007533	N/A
Oil Burner - Reillo F	240007502	240007503	240007504	240007505
Oil Burner - Reillo BF (DV)	240007528	240007529	240007530	N/A

BECKETT BURNER REPLACEMENT PARTS - AFG & NX	
CAD Cell (AFG & NX)	14662085
Power Cord (AFG & NX)	240007129
Oil Pump Solenoid	RP04601
Pump, Oil Clinct #2184404U	29688
Beckett Burner cover Kit	240007393

*See Burner Manual for illustrations. When ordering, use the above part numbers.*

BECKETT BURNER REPLACEMENT PARTS - AFG ONLY	
Combustion air tube with custom flange, 4 & 5 section	240007638
Combustion air tube with custom flange, 6 & 7 section	240007639
Igniter & Base Plate (Replacement Burner)	1050007
Draw Assembly, 4 & 5 section (incl. 3-3/8U Static Plate & L2 head Igniter)	240007640
Draw Assembly, 6 & 7 section (incl. 2-3/4M Static plate, V1 head Igniter)	240007641
Burner Control, R7184P 1080	240007642
Burner Gasket with keyhole	240007392
L2 Head (4 & 5 section)	240007645
V1 Head (6 & 7 section)	240006446
3-3/8U Static Plate (4 & 5 section)	BN08102
2-3/4M Static Plate (6 & 7 section)	240007646

BECKETT BURNER REPLACEMENT PARTS - NX ONLY	
Combustion air tube with custom flange, 4 & 5 section	240007772
Combustion air tube with custom flange, 6 section	240007773
Igniter & Base Plate	240007774
Draw Assembly, 4 & 5 section (incl. Static Plate, Press Sensor Tube, Igniter, 6 Slot NX Head)	240007775
Draw Assembly, 6 & 7 section (incl. Static Plate, Press Sensor Tube, Igniter, 9 Slot NX Head)	240007776
Primary Burner Control (Pre 15S Post 2m)	240007777
Burner Gasket with Keyhole	240007778
Head/Leg Assembly, 6-slot NX, 4 & 5 section	240007779
Head/Leg Assembly, 9-slot NX, 6 section	240007780
Air Inlet Adapter, Modified	240007781
Pressure Switch, 4 & 6 Section	240007782
Pressure Switch, 5 Section	240007783
Head Adjustment Mechanism	240007784
Electrode Insulation Kit	240007785

## REPLACEMENT PARTS

CIRCULATORS				
Circulator - Grundfos UP15	CI-006.01	(Same)	(Same)	(Same)
Circulator - Taco	CI-001.03	(Same)	(Same)	(Same)

NOZZLES	NOZZLE MNF	MODEL NO.	BOILER SIZE	PART NO.
0.60 X 70B	DELAVAN	NX	4 SECTION	1320025
0.65 X 60B	DELAVAN	40BF3	4 SECTION	14619058
0.75 X 60B	DELAVAN	40FS	5 SECTION	14619244
0.75 X 45B	DELAVAN	NX	5 SECTION	240007742
0.85 X 60B	DELAVAN	AFG	5 SECTION	14619024
1.00 X 45B	DELAVAN	NX	6 SECTION	240007740
1.10 X 60B	HAGO	AFG	6 SECTION	240007737
1.25 X 45AS	DANFOSS	AFG	7 SECTION	240007738
1.35 X 60B	DELAVAN	40F5	7 SECTION	240007741

CONTROL PANEL PARTS	
Control Panel Assembly	3001377
Power Switch,( SW,Rocker,12A,250V)	240007176
Wire Harness, Control Panel to Burner	240007178
Wire tie w/ mounting hole	240000062
Bushing, Wire strain relief	14693011
Terminal Block	212000014
Ground Lug	212000015
#10-32 x 1/2" Bolt	201000047
#10-32 Hex Nut w/ star lock washer	202000004

## KITS

Description	Part Number
Low Water Cut Off Kit	550001928
Low Water Cut Off	240007177
LWCO Wire Harness	240007125
Manual Reset Temperature Limit Kit	550001929
Manual Reset	1010003
Manual Reset Wire Harness	240007127
Immersion Well	14662804
Aquastat Assembly (Canada, for direct vent use 3001387)	3001543
Aquastat Control	240007744
Wire Harness, Aquastat to Control Panel	240007126
Wire Harness, Aquastat To Circulator	37519501
Wire Harness, Aquastat to Vent Safety	240004880
Temperature Sensor (36" Assembly)	240007733
5" Vent Safety Kit (Required in Canada, USA optional)	550001931
5" Flue Connector	30655
Wire Harness	240007547
Assembly, WMO Control Field	30660
6" Vent Safety Kit (Required in Canada, USA optional)	550001930
6" Flue Connector	30656
Wire Harness	240007547
Assembly, WMO Control Field	30660
<b>FOR DIRECT VENT UNITS ONLY</b>	
Kit, Vent Flex, 4" dia x 10' with Terminal adapter	240006909
Kit, Vent Flex, 4" dia x 15' with Terminal adapter	240006910
Kit, Vent Flex, 4" dia x 20' with Terminal adapter	240006911
Terminal Adapter (part of Vent Flex kit)	240006914
Vent Terminal Oil	28972
Riser Terminal (adds 36" height)	29231
Appliance Adapter 3 Pass Oil Boiler	240007535

For technical assistance with this product call toll free 1-800-325-5479  
ECR International  
PO Box 4729  
Utica, NY 13504-4729  
[www.ecrinternational.com](http://www.ecrinternational.com)