

95M-200
Aluminum Gas Fired Boilers
For Forced Hot Water

REPAIR PARTS MANUAL

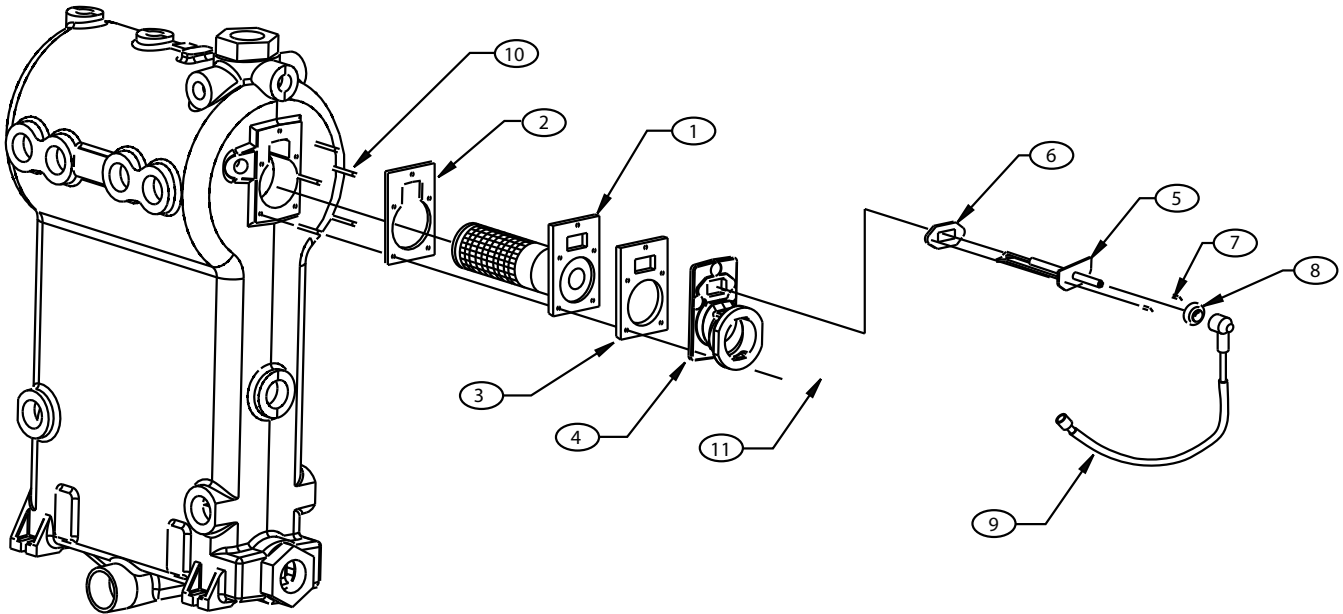


TABLE OF CONTENTS

Burner/Igniter Assembly.....	4
Exhaust Tee/Condensate Trap Assembly.....	5
Boiler Block and Piping Assembly.....	6
Gas Valve Pipe Assembly.....	8
Air Pressure Switch Assembly.....	9
Air Intake Assembly.....	10
Control Panel Assembly.....	12
Display Panel Assembly.....	13
Jacket and Base Assembly.....	14
Conversion Kits/Miscellaneous.....	15

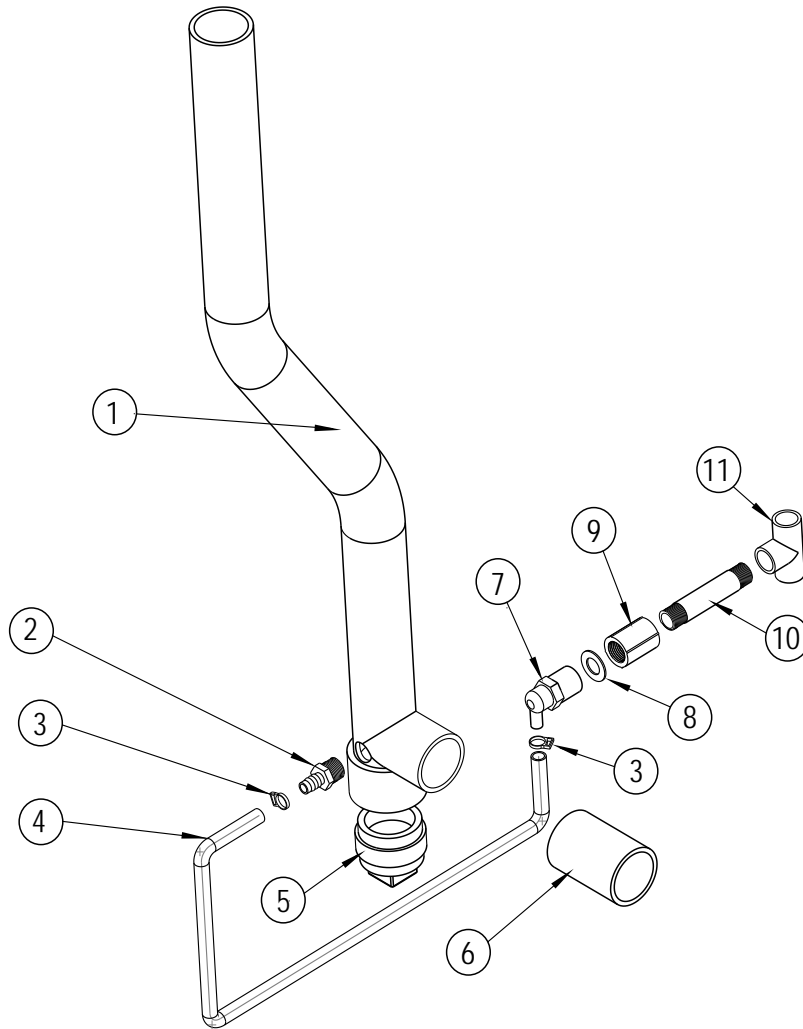
**Keep this manual near boiler
and retain for future reference.**

BURNER/IGNITER ASSEMBLY



ITEM	PART NO.	DESCRIPTION	QTY.
Common parts			
4	12101022	Blower Adapter	1
Kit# 550001938 (95MC-200 modulating burner replacement kit) includes:			
1	240007052	Burner, Modulating, Worgas application	1
2	1250016	Grafoil Burner/Casting Gasket	1
3	1250015	Grafoil Burner/Flue Adapter Gasket	1
10	1450011	Stud Threaded ¼-20 x 1½"	5
11	14695810	Nut Hex w/Serrated Wash ¼"-20	5
Kit# 550001939 (95M-200 direct spark igniter replacement kit) includes:			
5	240007051	Igniter, Direct Spark, Worgas application	1
6	1250014	Grafoil Igniter/Mixer Gasket	1
7	14695004	Screw 8-32 x ¾" Slot HWH Self-Tap	2
Kit# 550001329 (95M-200 modulating igniter cable Replacement kit) includes:			
8	1240006	Grommet Igniter	1
9	1070001	Cable Igniter	1

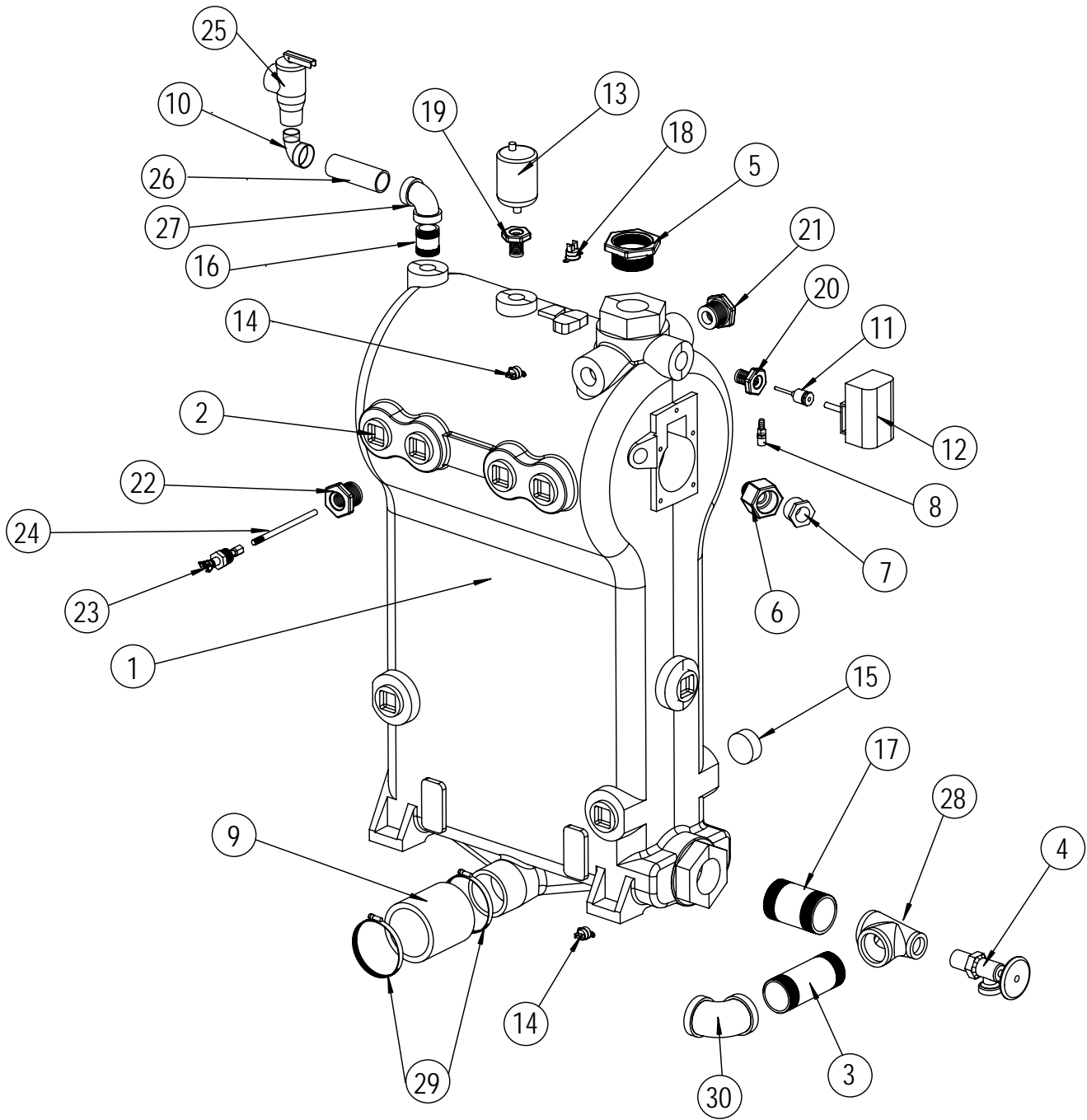
EXHAUST TEE/CONDENSATE TRAP ASSEMBLY



ITEM	PART NO.	DESCRIPTION	QTY.
Kit# 550001465: 95M-200 exhaust tee/condensate trap Replacement kit includes:			
1	3001407	Pipe Vent 2" CPVC Pre-Formed, with hole	1
2	14631101	Hose Adapter, 1/2" NPT x 1/2" ID	1
3	14631141	Clamp Snap Grip 3/4"	2
4	14631035	Tubing Vinyl 1/2" ID x 1/8"	1.83 ft
5	240005852	Cleanout, 2" PVC	1
6	240006945	Pipe CPVC 2" x 3 3/8"	1
7	14631103	Tube Elbow 1/2" NPT x 1/2" ID	1
8	1600004	Washer, Flat 2" OD x 13/16" ID	1
9	14631306	Coupling 1/2" NPT PVC SCH 80	1
10	14631322	Nipple 1/2" x 4" PVC SCH 80	1
11	14631020	Tee PVC 1/2" SL x 1/2" SL x 1/2" NPT	1
*	240005853	Strap, Cable, Push Mount	1

* Not Shown

BOILER BLOCK AND PIPING ASSEMBLY

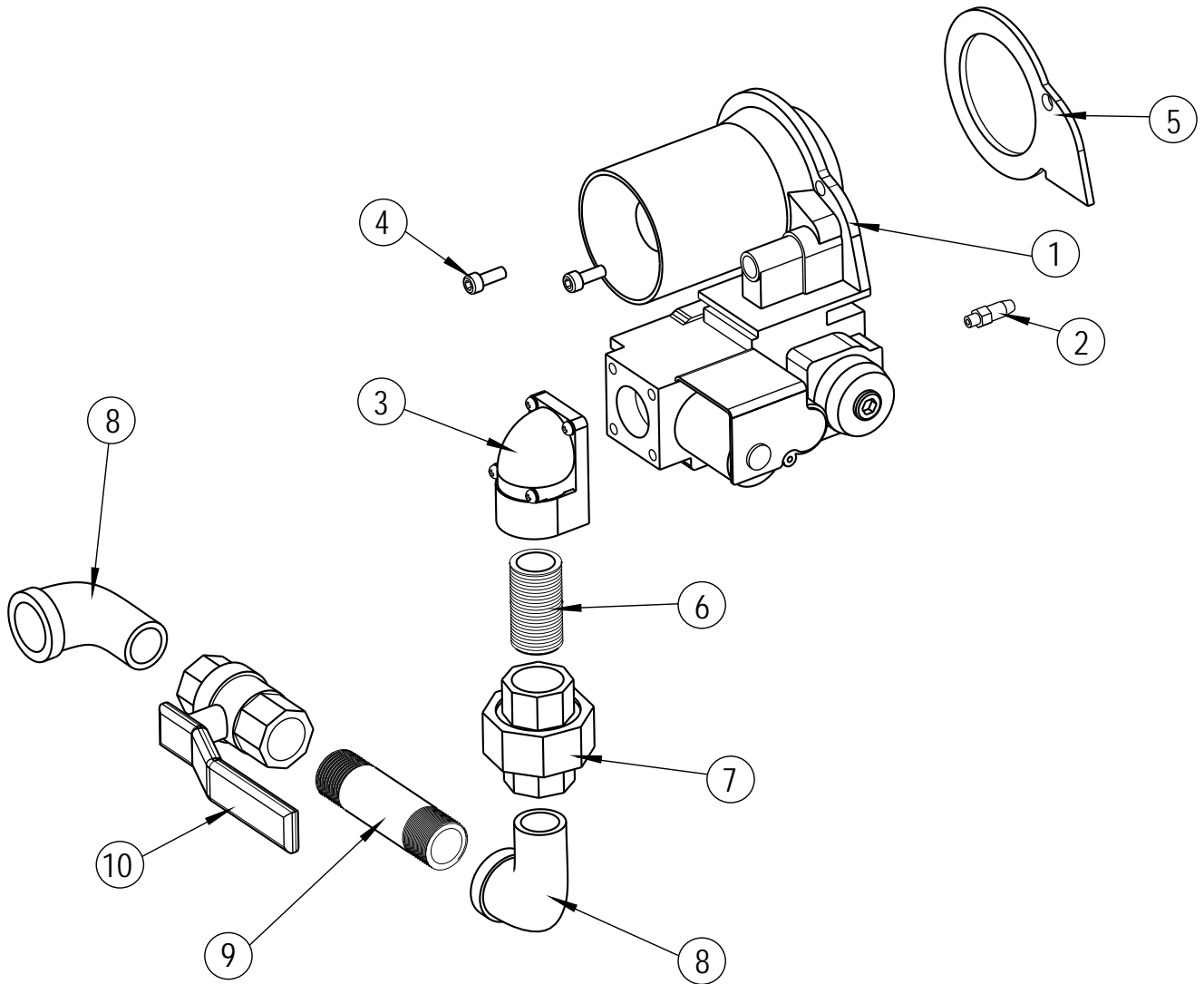


BOILER BLOCK AND PIPING ASSEMBLY

ITEM	PART NO.	DESCRIPTION	QTY.
Kit# 550001326 (95M-200 Block replacement kit) includes:			
1	12101013	Block, Machined/Tested	1
2	1395002	Plug, 1¼" Cast Iron Sq. Head Solid	16
3	1310002	Pipe, Nipple 1¼" x 4½" Black Iron	1
4	14622000	Valve, Boiler Drain ¾"	1
5	240006459	Bushing 1½" x 1¼" Forged Steel, 3000#	1
6	14631004	Adapter, Sight Glass	1
7	14619002	Observation Port ¾"	1
8	1230010	Fitting ⅛" NPT x ¾", Barb Straight	1
9	14631301	Hose 3" Long 2⅜" ID x 2¾" OD	1
10	14693040	Elbow, Street Mall ¾" x 90°	1
11	14662804	Well Control ½"	1
12	14631324	Aquastat	1
13	1580006	Vent Air Purge	1
14	1530003	Sensor 12k Ohms	2
PIPING assembly Parts			
15	240006957	Plug, 1" Cast Iron Sq. Head Solid	1
16	1230012	Fitting, Pipe, Black ¾" x 2½"	1
17	240006951	Nipple, Black 1½" x Close	1
18	1500005	Casting Temperature Switch	1
19	240006955	Bushing ¾" x ⅛" Black	1
20	240006952	Bushing ¾" x ½" Black	1
21	240006953	Bushing 1" x ¼" Black	1
22	240006954	Bushing 1" x ⅜" Black	1
23	1280012	LWCO Well	1
24	1280014	LWCO Probe Rod	1
25	14622011	Relief Valve ¾"	1
26	14607202	Nipple, Std. Black ¾" x 4½"	1
27	1190001	Elbow ¾" x 90°	1
28	240004863	Reducing Tee, Black 1½" x ¾" x 1¼"	1
29	14631302	Clamp, Stainless Steel #44	2
30	1190002	Elbow 1¼" x 90°	1
*	14695802	Screw, Soc Hd Cap 8-32 x ¾"	6
*	240004804	Outdoor Sensor	1
*	EF-003.03	Electric Anti-Short #1 - Insr. ⅝"	1
*	1330001	Nut, Whizlock FLG PL ⅝"-18	4
*	1040004	Bolt, Carriage ⅝" X 1½"	4
*	14634012	Connector, Romex ½" K.O.	1
*	43300826	Wiring Harness, Circulator	1
*	CI-006.01	Circulator, Grunfos	1
*	CI-001.03	Circulator, Taco	1

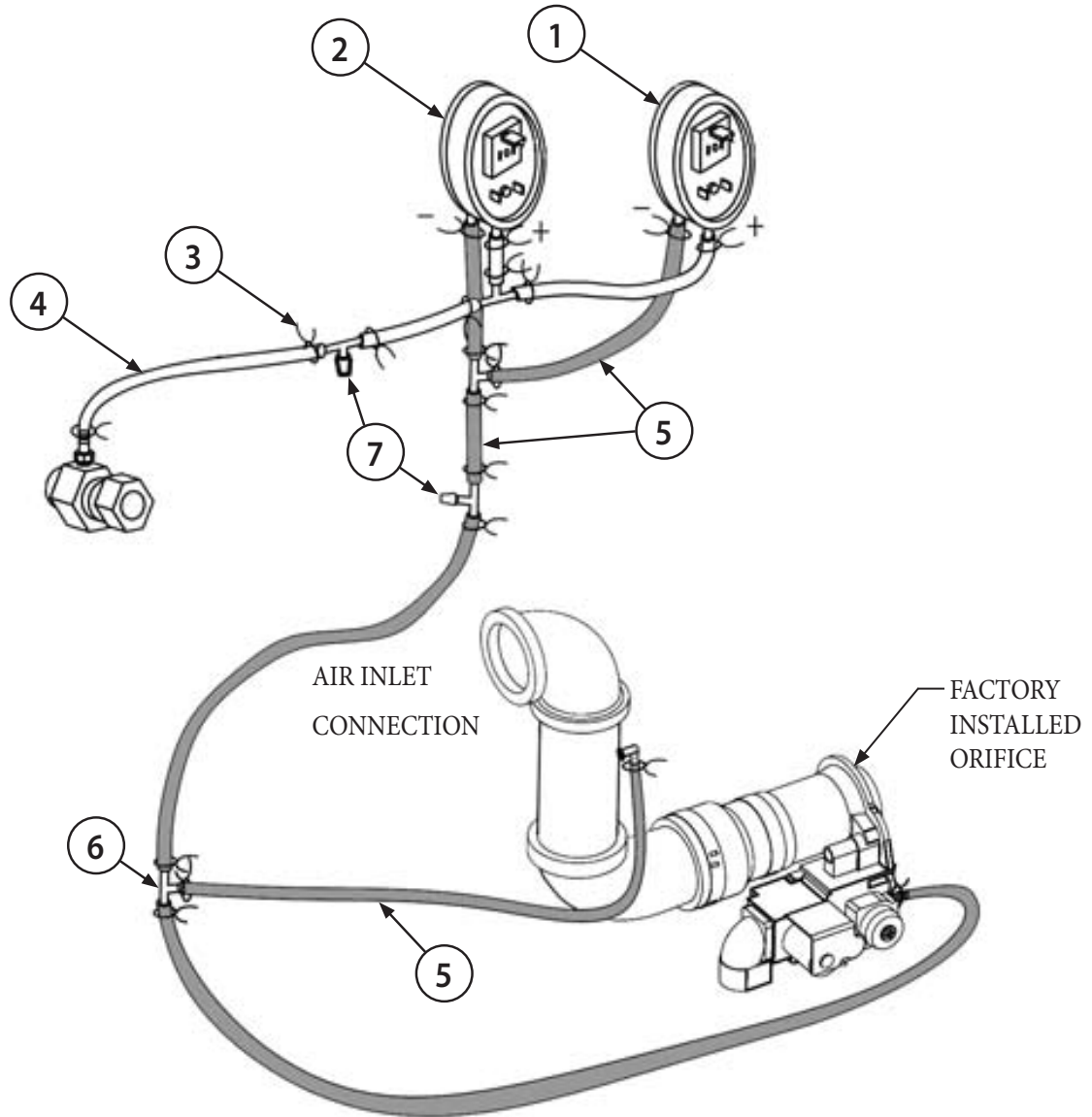
* Not Shown

GAS VALVE PIPE ASSEMBLY



ITEM	PART NO.	DESCRIPTION	QTY.
Common parts			
6	14607030	Nipple, Std., Black, Close ½"	1
7	14693043	Union, Std., Black ½"	1
8	14693801	Elbow, Street Mall, ½" x 90°	2
9	14607301	Nipple, Std., Black ½" NPT x 3"	1
10	1570038	Valve, Ball ½" (Blue)	1
KIT# 550001474 (95M-200 GAS VALVE REPLACEMENT KIT) INCLUDES:			
1	240004794	Gas Valve, Modulating, Venturi	1
2	1230005	Fitting, Pressure Feedback	1
3	240005020	Adapter, 90° NPT w/Gasket and Screws	1
4	1450012	Screw T25 Torx	2
5	1250021	Gasket, Cork, Venturi	1

AIR PRESSURE SWITCH ASSEMBLY

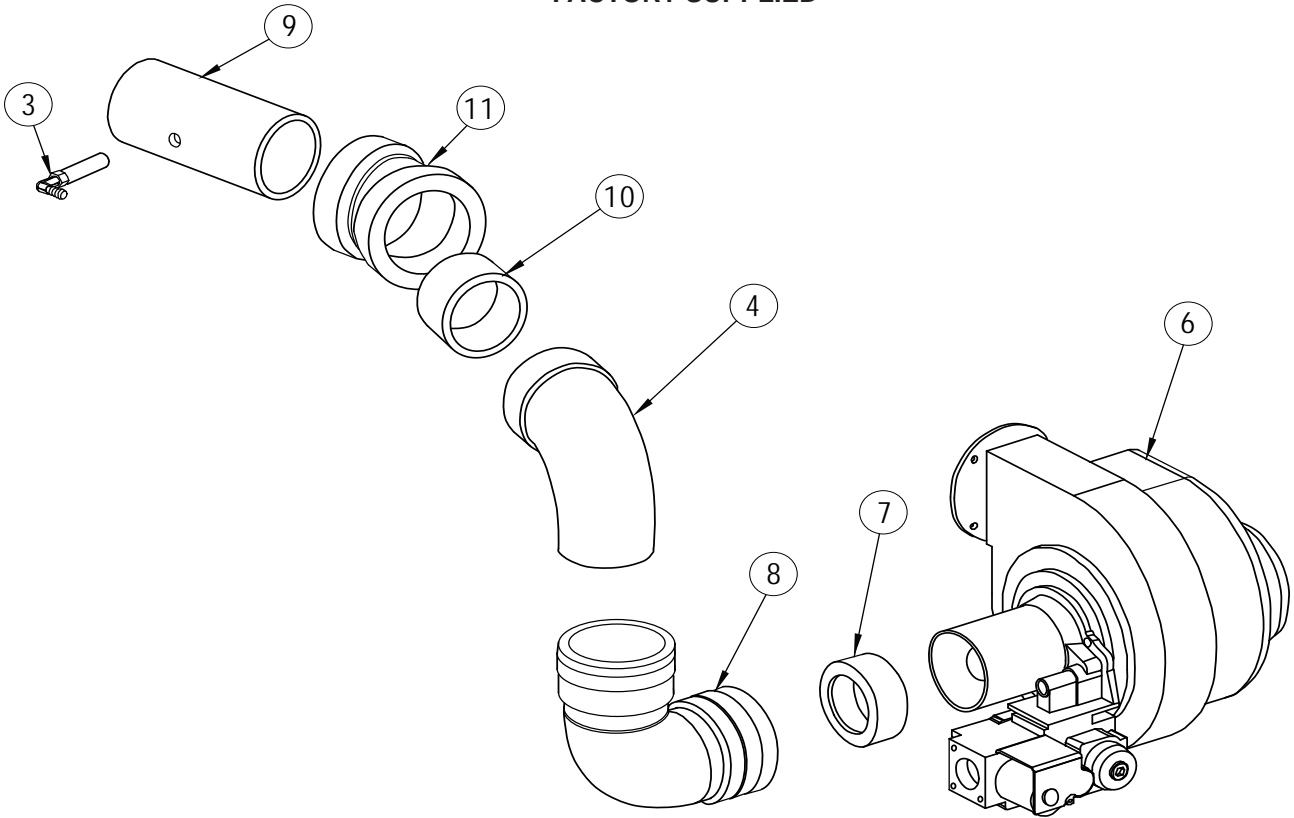


ITEM	PART NO.	DESCRIPTION	QTY.
Kit# 550001466 (95m-200 AIR PRESSURE SWITCH REPLACEMENT KIT) INCLUDES:			
1	1500010	Pressure Switch, .04" N.O. Set Point	1
2	1500011	Pressure Switch, 3½" N.C. Set Point	1
3	1110001	Rotor Clamp	22
4	1552014	Silicone Tubing, 3/16" ID	Lengths Vary
5	1552004	Silicone Tubing, Orange 3/16" ID	Vary
6	1510009	Tee, Plastic, Barbed Hose 3/16" ID	5
7	1230006	Cap, Vinyl, Black 3/16"	2
*	PB-002.-02	Pilot Orifice	1
*	1640008	Wire Jumper Pressure Switch	1

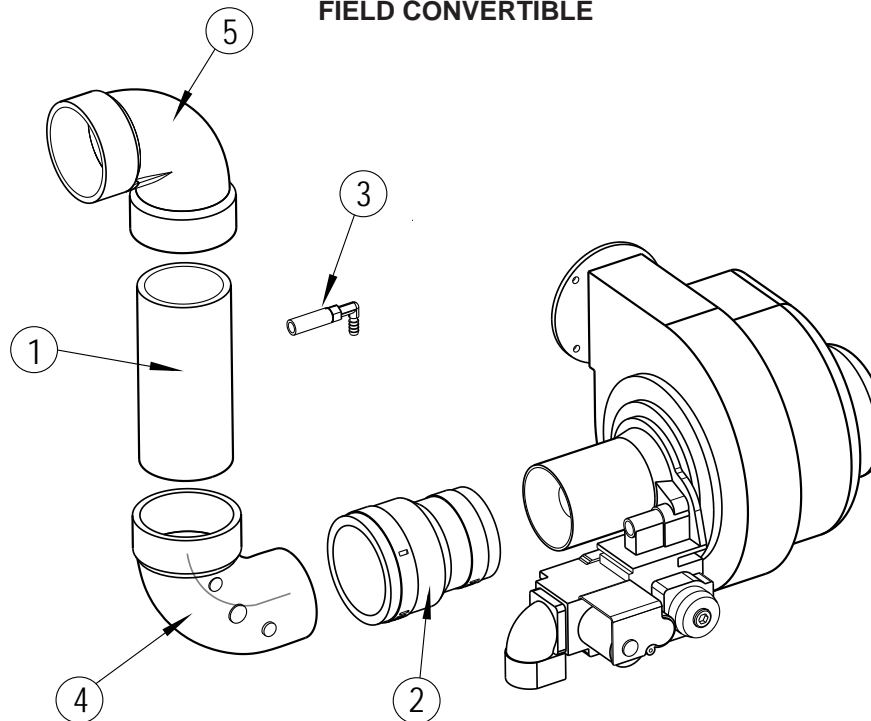
* Not Shown

AIR INTAKE ASSEMBLY

REAR COMBUSTION AIR INTAKE FACTORY SUPPLIED



LEFT SIDE COMBUSTION AIR INTAKE FIELD CONVERTIBLE

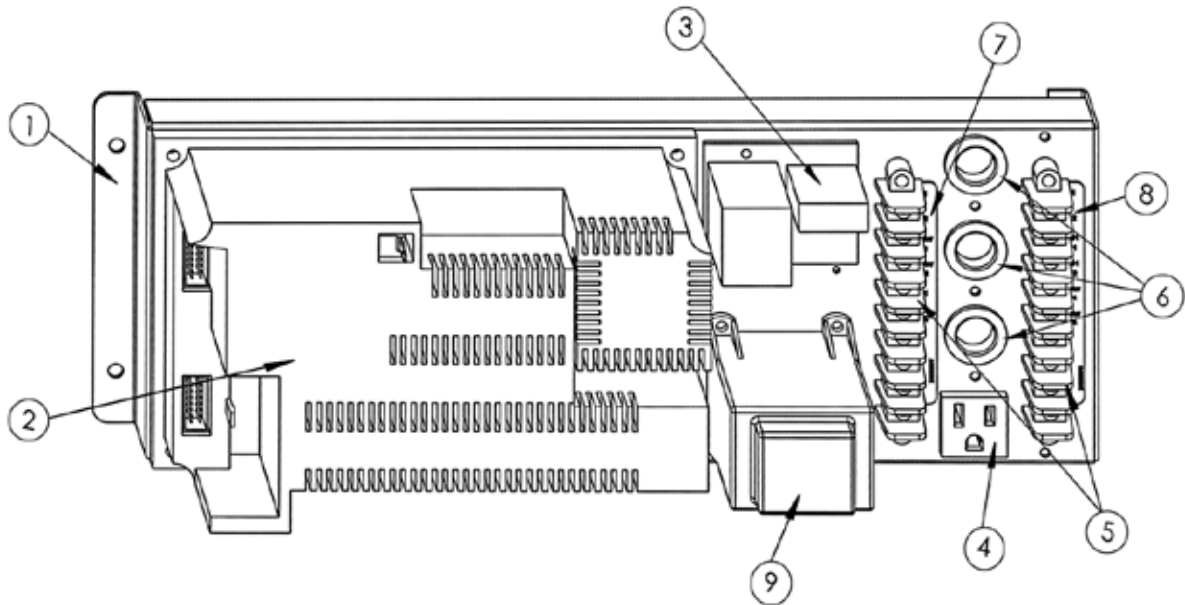


AIR INTAKE ASSEMBLY

ITEM	PART NO.	DESCRIPTION	QTY.
Common parts			
1	240006968	Vent Pipe 2" PVC x 3½" Long	1
2	14631311	Flex Coupling 2" x 1½"	1
3	800000348	95M Air Sensor Assembly	1
4	1190007	Elbow 2" Street 90° PVC	1
5	240004834	Elbow 2" PVC 90°	1
7	240006120	Bushing 1½" x 2" Flex	1
8	240006119	Elbow 2" Flex	1
9	14631304	Vent Pipe 2" CPVC SCH 40 x 29½" Long	19½"
10	1400007	Vent Pipe 2" PVC x 2" Long	1
11	240006147	Elbow 2" PVC 22.5°	1
kit# 550001893 (95M-200 Left side Air Intake Assy. KIT) INCLUDES:			
1	240006968	Vent Pipe 2" PVC x 3½" Long	1
2	14631311	Flex Coupling 2" x 1½"	1
3	800000348	95M Air Sensor Assembly	1
4	1190007	Elbow 2" Street 90° PVC	1
5	240004834	Elbow 2" PVC 90°	1
kit# 550001475 (95M-200 BLOWER REPLACEMENT KIT) INCLUDES:			
6	1035002	Blower, Modulating	1
*	1250021	Gasket, Cork, Venturi	1
*	1250007	Gasket, Fan/Flue Adapter	1
*	1450009	Screw, 10-24 x ½" SSTL Hex Head Cap	4

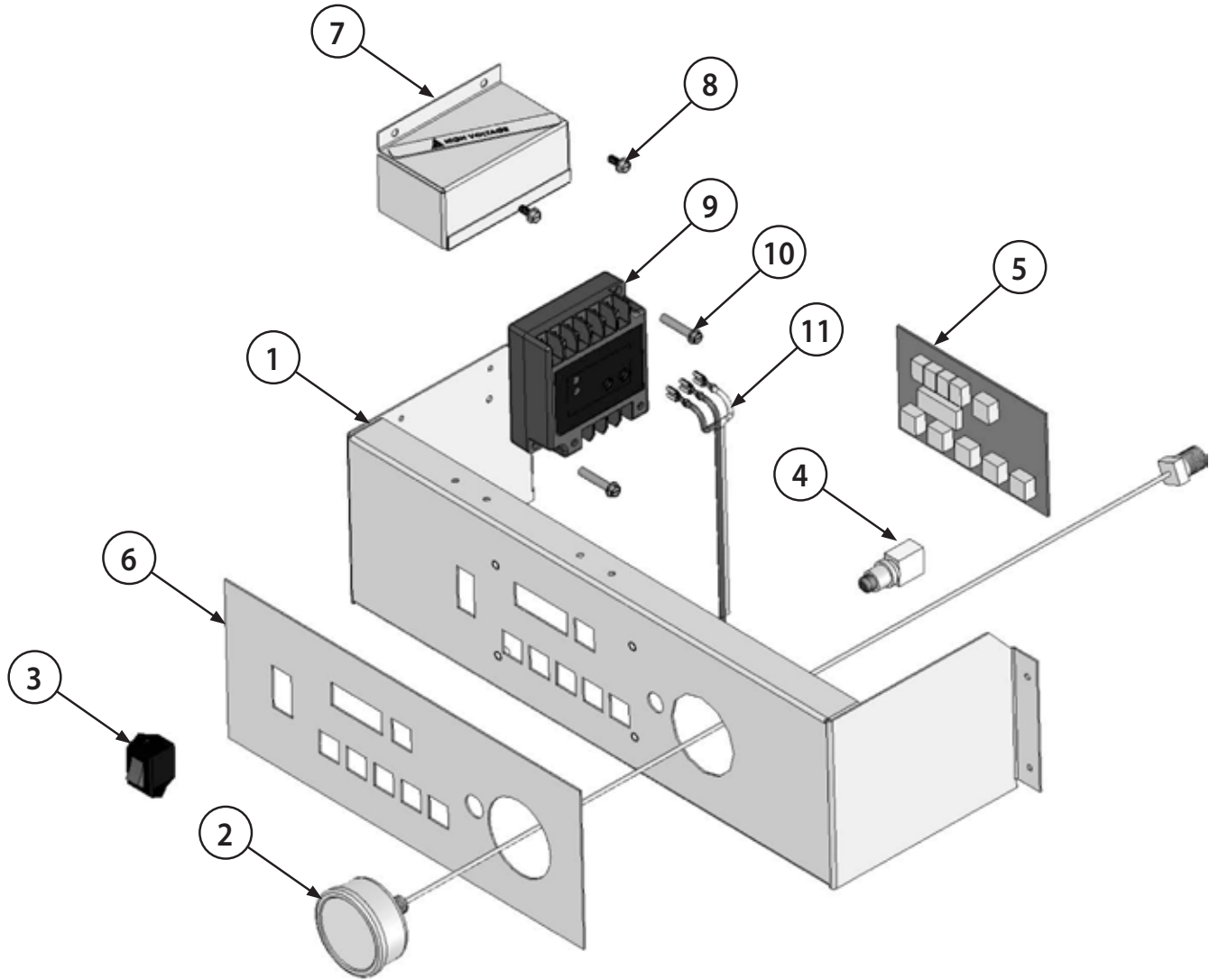
* Not Shown

CONTROL PANEL ASSEMBLY



ITEM	PART NO.	DESCRIPTION	QTY.
Common parts			
1	109005907	Bracket, Control	1
3	1280013	LWCO, Panel Mounted	1
4	1407001	Receptacle	1
5	EF04001	Elec Beau 9 Term Strip	2
6	14693011	Bushing	3
7	240005097	Label, Control Panel, Low Voltage	1
8	240005098	Label, Control Panel, High Voltage	1
9	240004795	Transformer	1
*	14631097	Rivet, Stainless Steel 1/4" x 1/8"	8
*	14631098	Hinge Slip, Lower	2
*	14631099	Hinge Slip, Upper	2
*	HW09001	Ground Screw 10-32 x 5/16"	3
*	14695074	Screw #10 x 1/2"	4
*	EF04101	Pop Rivet 1/8"	4
*	201000100	Screw #6 x 3/8"	4
KIT# 550001921 (95MC-200 MCBA CONTROL REPLACEMENT KIT) INCLUDES:			
2	1140012	Control, Modulation 95M Programmed, Rev C parameters	1
*	240006054	Fuse, 4A, Slow Blow (spares)	2
*	240006055	Fuse, 5A, Fast Blow (spares)	2
*	240007207	Label, Control, MCBA	1

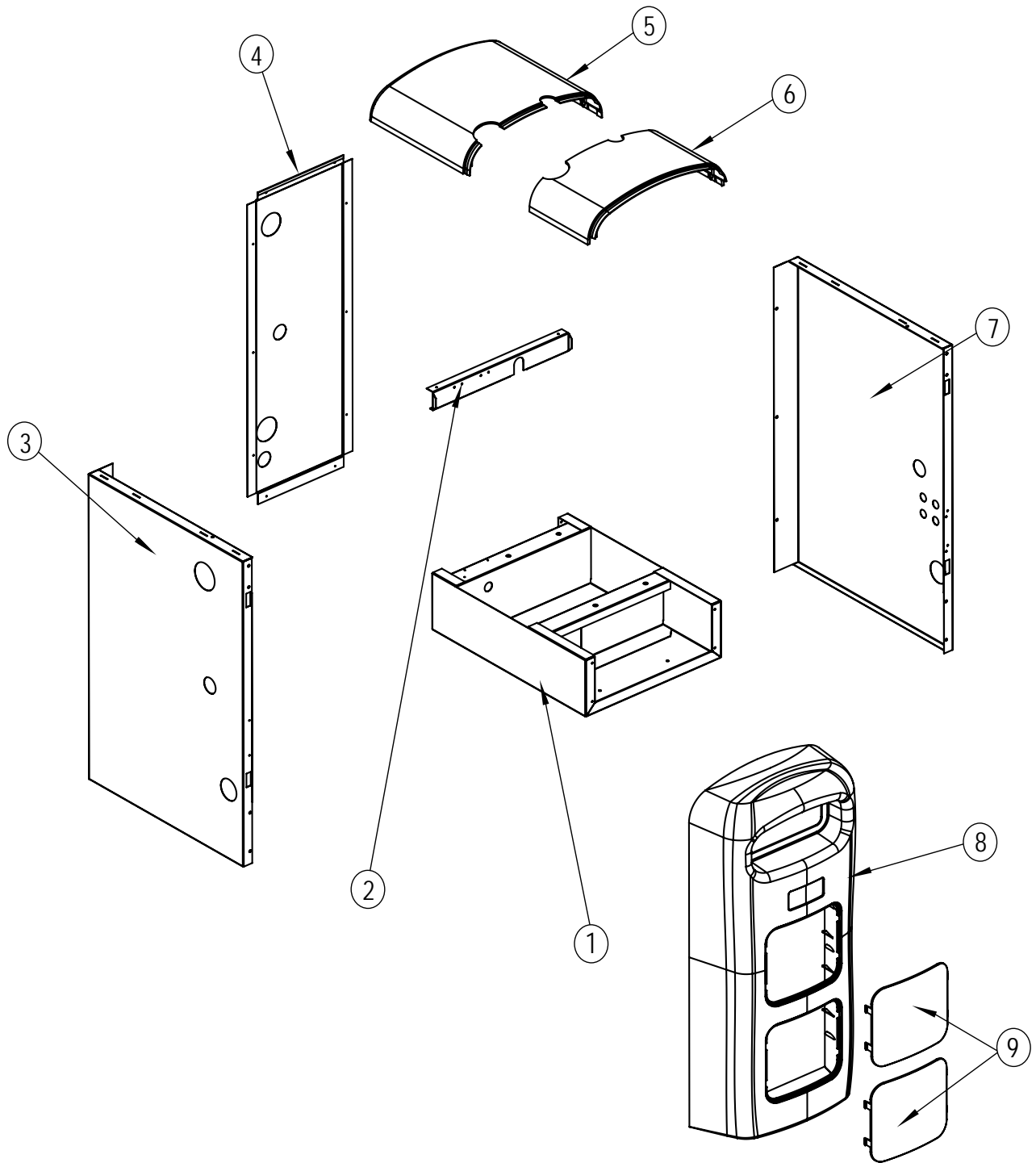
DISPLAY PANEL ASSEMBLY



ITEM	PART NO.	DESCRIPTION	QTY.
1	109005739	Display Panel	1
2	1260007	Pressure Gauge w/Capillaries	1
3	1500012	Main Power Rocker Switch	1
4	1500013	LWCO Push Button Reset Switch	1
5	240004792	Display Panel User Interface	1
6	---	Display Panel Label	1
7	3001565	Safety Cover with label for Line Monitor	1
8	201000001	#8 x 3/8" Screw	2
9	240007607	Line Monitor	1
10	240007659	#10 X 1" Screw	2
11	240007653	Wire Harness for Line Monitor	1
*	240004793	Ribbon Cable	1
*	1263021	High Voltage Wire Harness	1
*	240007205	Low Voltage Wire Harness	1

* Not Shown

JACKET AND BASE ASSEMBLY



JACKET AND BASE ASSEMBLY

Item	Description	Model			
		DK95M-200	UB95M-200	OL95M-200	FW95M-200
		Part #	Part #	Part #	Part #
1	Base Replacement Kit	550001473	550001473	550001473	550001473
2	Cross Bar Support	109005906	109005906	109005906	109005906
3	Left Side Panel Kit	550001478	550001479	550001478	550001795
4	Rear Panel	2370023AC	2370023AC	2370023AC	2370023BM
5	Top Back Panel Kit	550001472	550001472	550001472	550001796
6	Top Front Panel Kit	550001471	550001471	550001471	550001797
7	Right Side Panel	2370021AC	2370021AD	2370021AC	2370021BM
8	Front Panel Kit (*)	550001470	550001477	550001476	550001798
Not Shown	Jacket Replacement Kit (**)	550001321	550001322	550001482	550001799
*	<i>Includes item #9</i>				
**	<i>Includes items #2 - #9</i>				
	<i>DK - All blue jacket (front/sides/top)</i>				
	<i>UB - Blue front with gray sides</i>				
	<i>OL - All blue jacket (front/sides/top)</i>				
	<i>FW - All PCM Gray (beige) jacket (front/sides/top)</i>				

KIT NO.	DESCRIPTION
550001314	Honeywell AM (HAM) Accessory Module
550001315	Gas Conversion Kit (Natural To LP)
240007554	3" Concentric Vent Kit, ULC S636
550001893	Left Side Combustion Air Intake Kit

